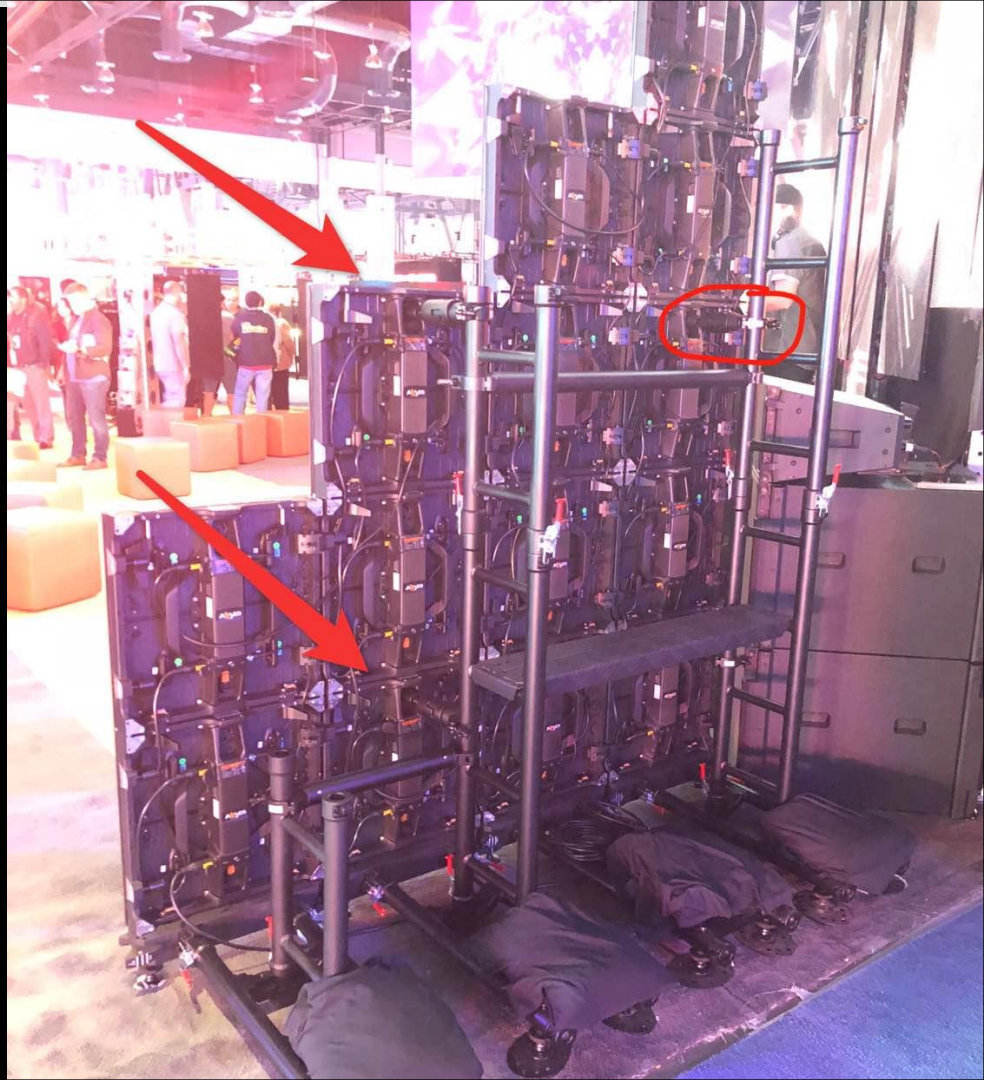




Leading LED Applications

Absen PL Series Stacking System

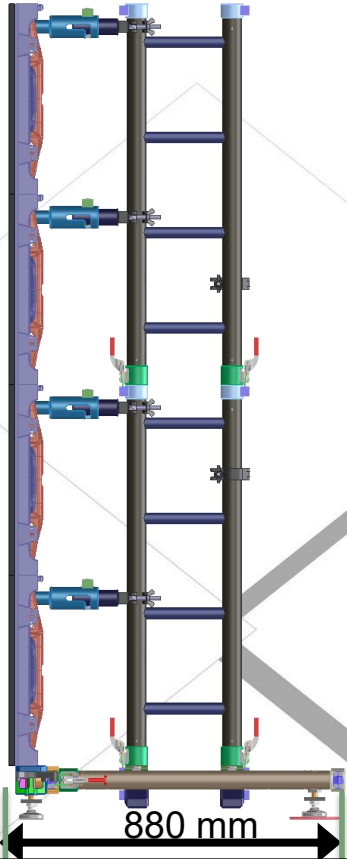
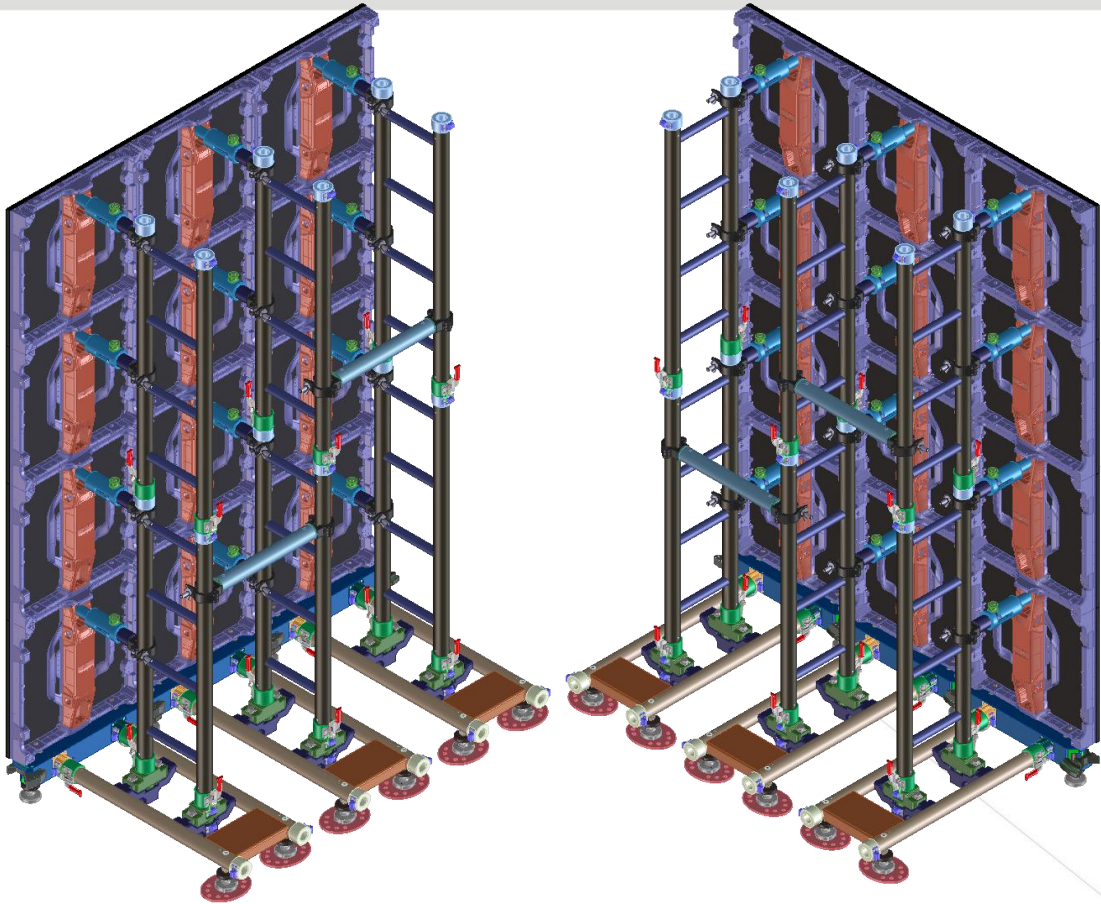




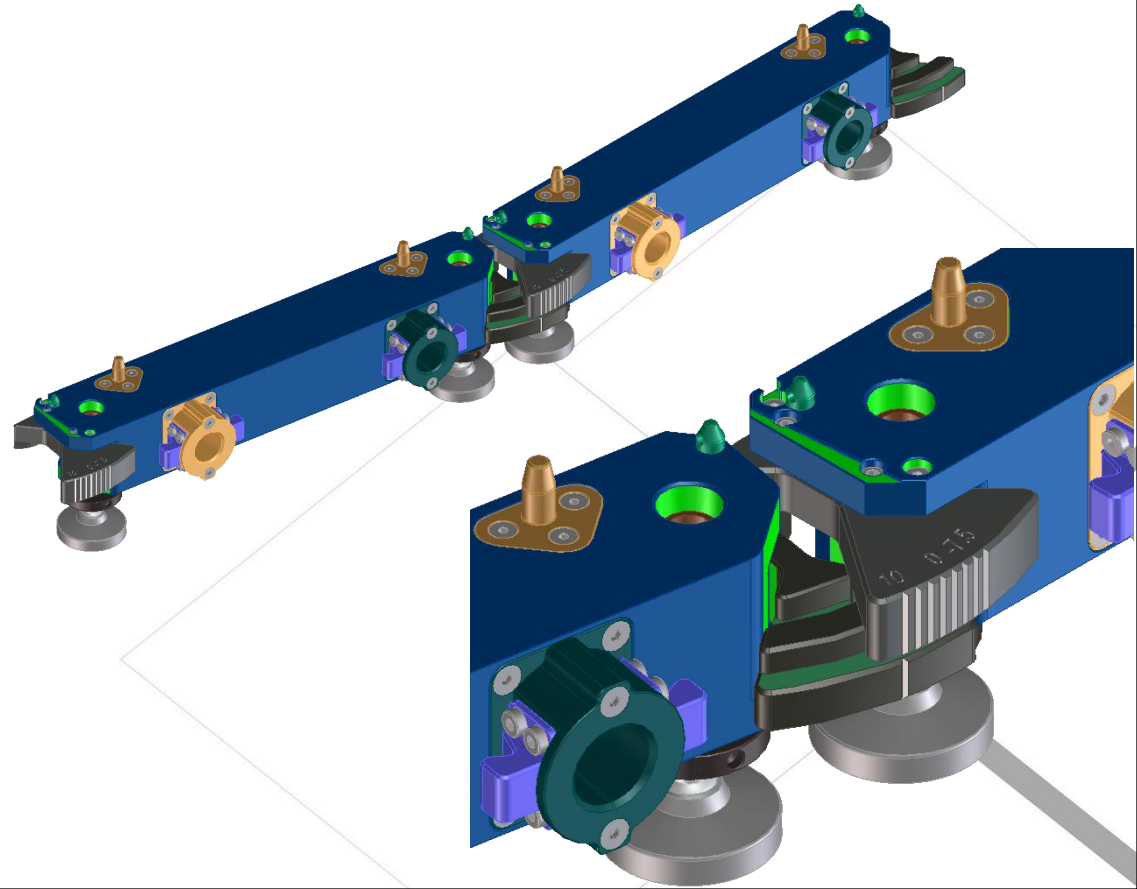
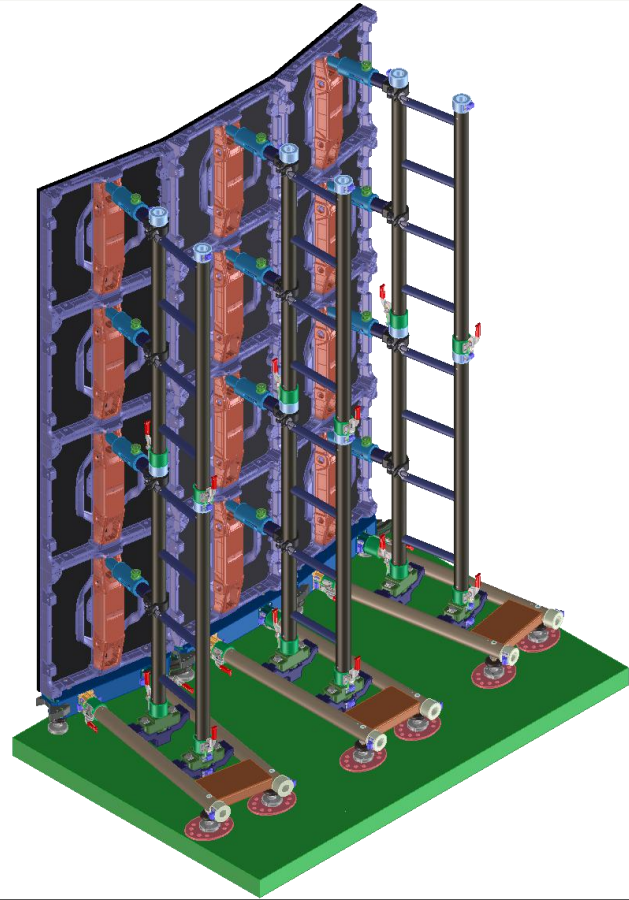
Stacking Installation



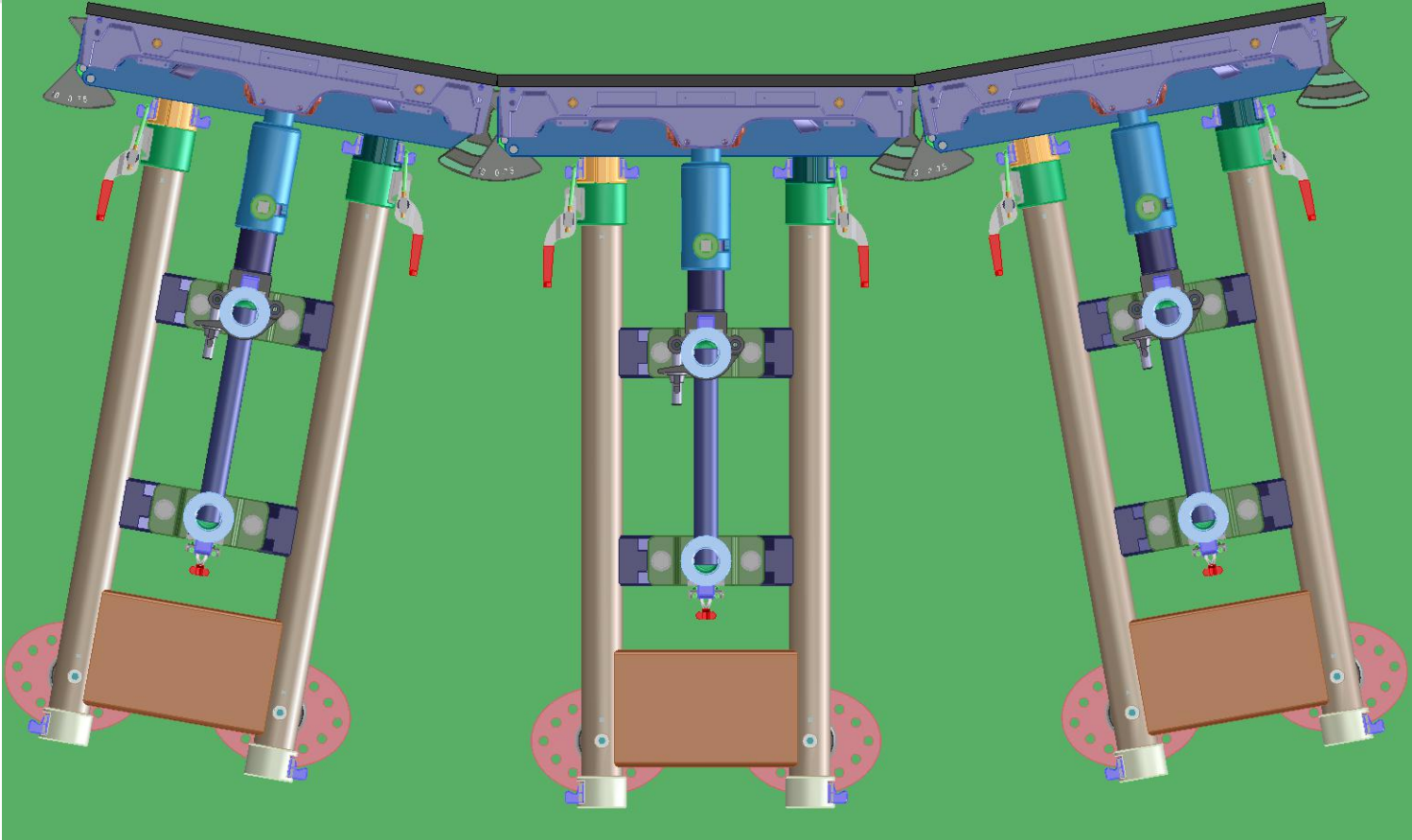
Normal Stacking-500*500 version panel



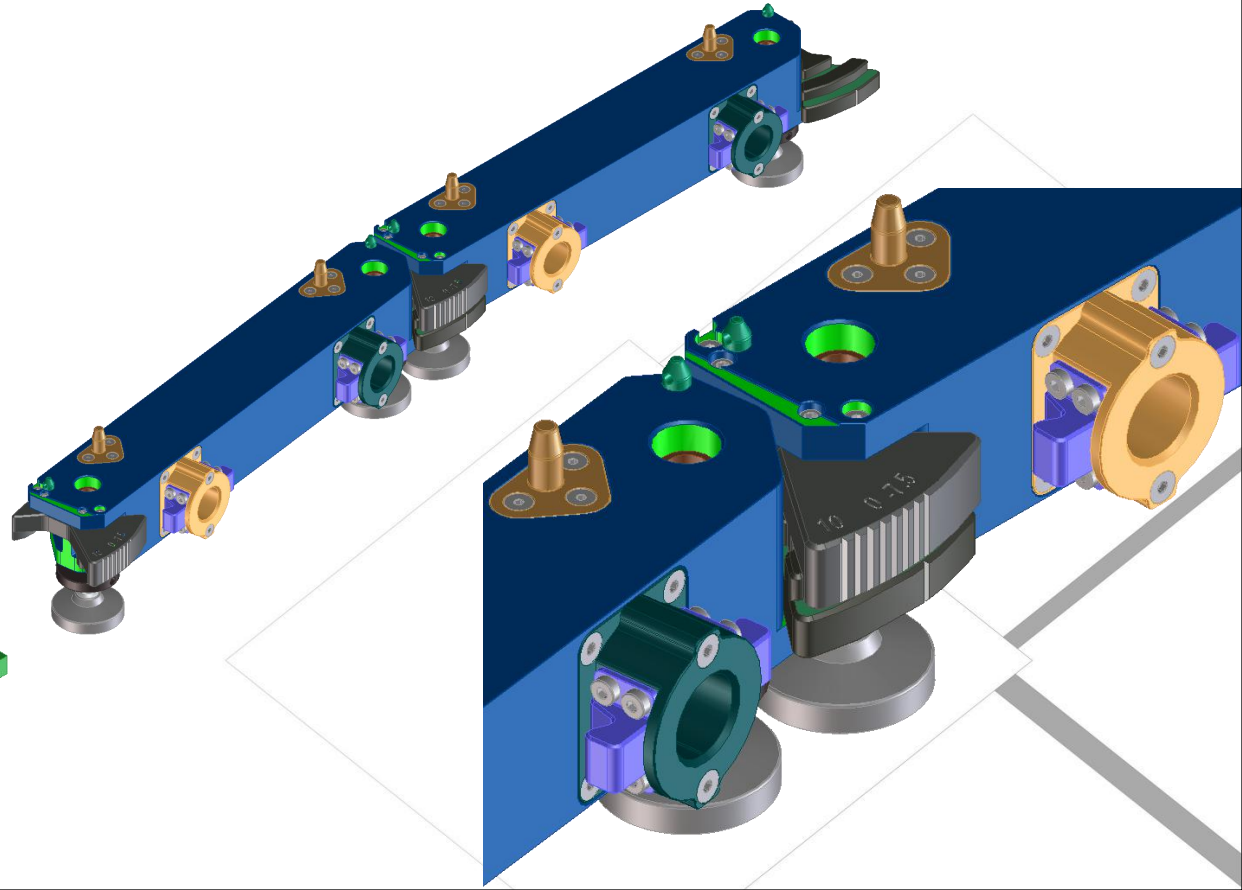
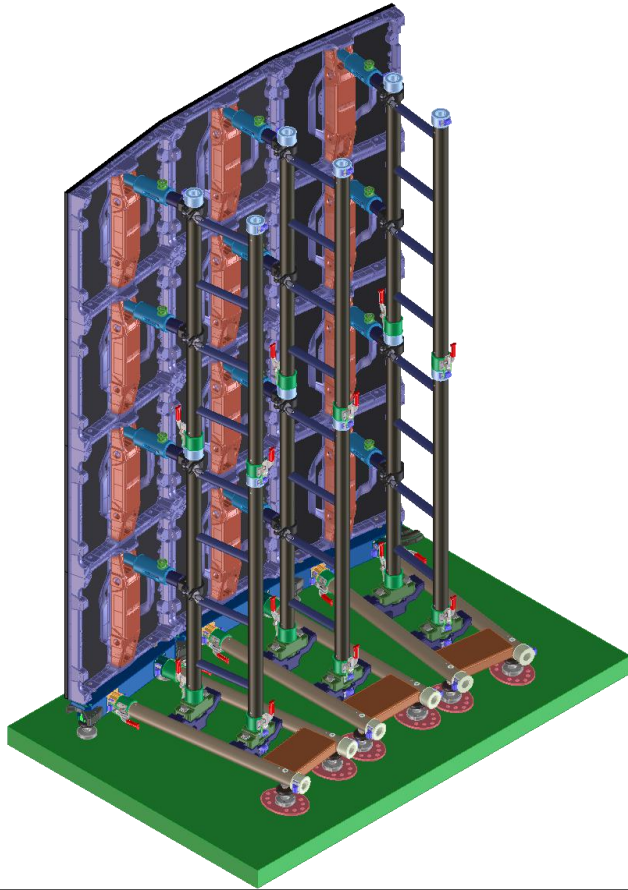
Concave +10° Stacking



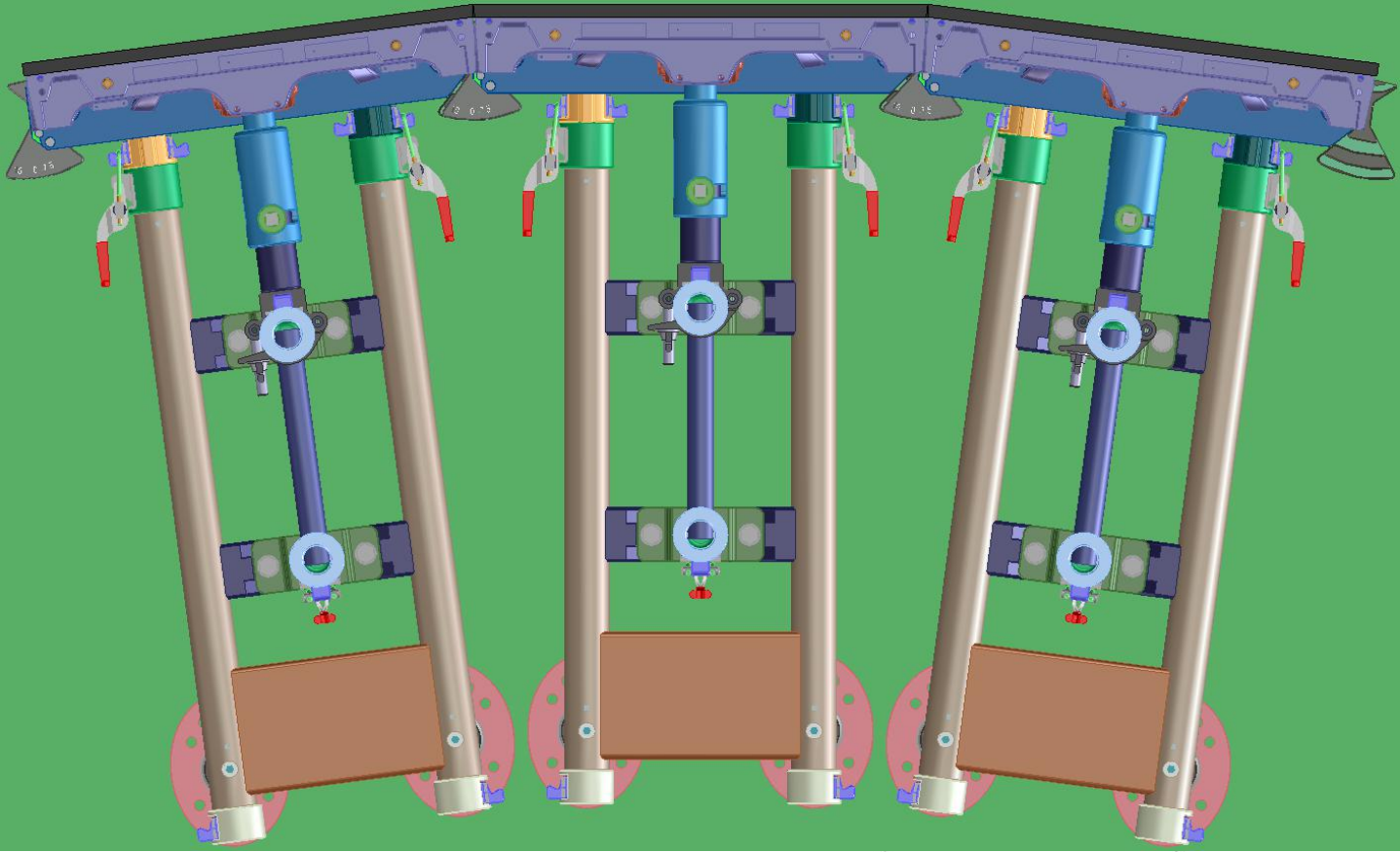
Concave +10° Stacking



Concave -7.5° Stacking



Concave -7.5° Stacking

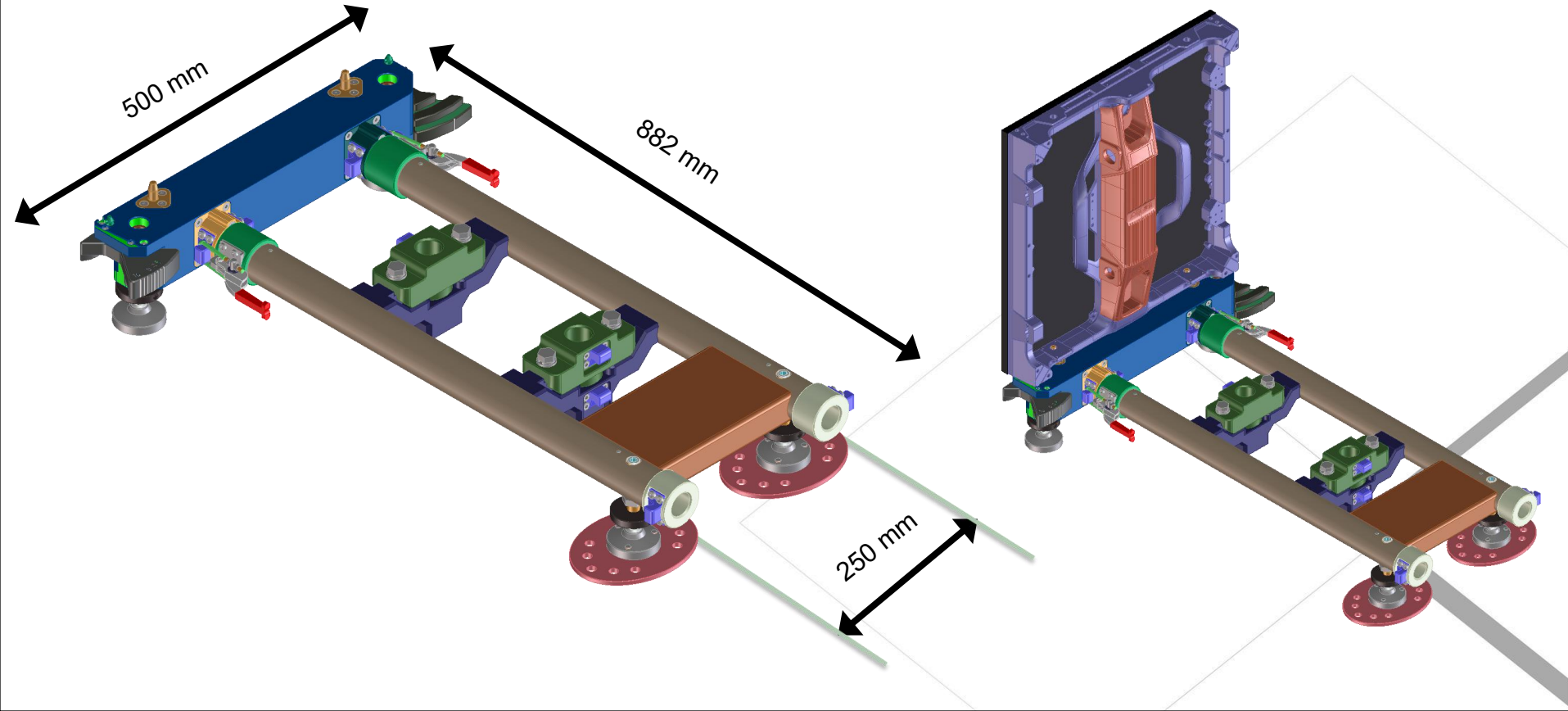




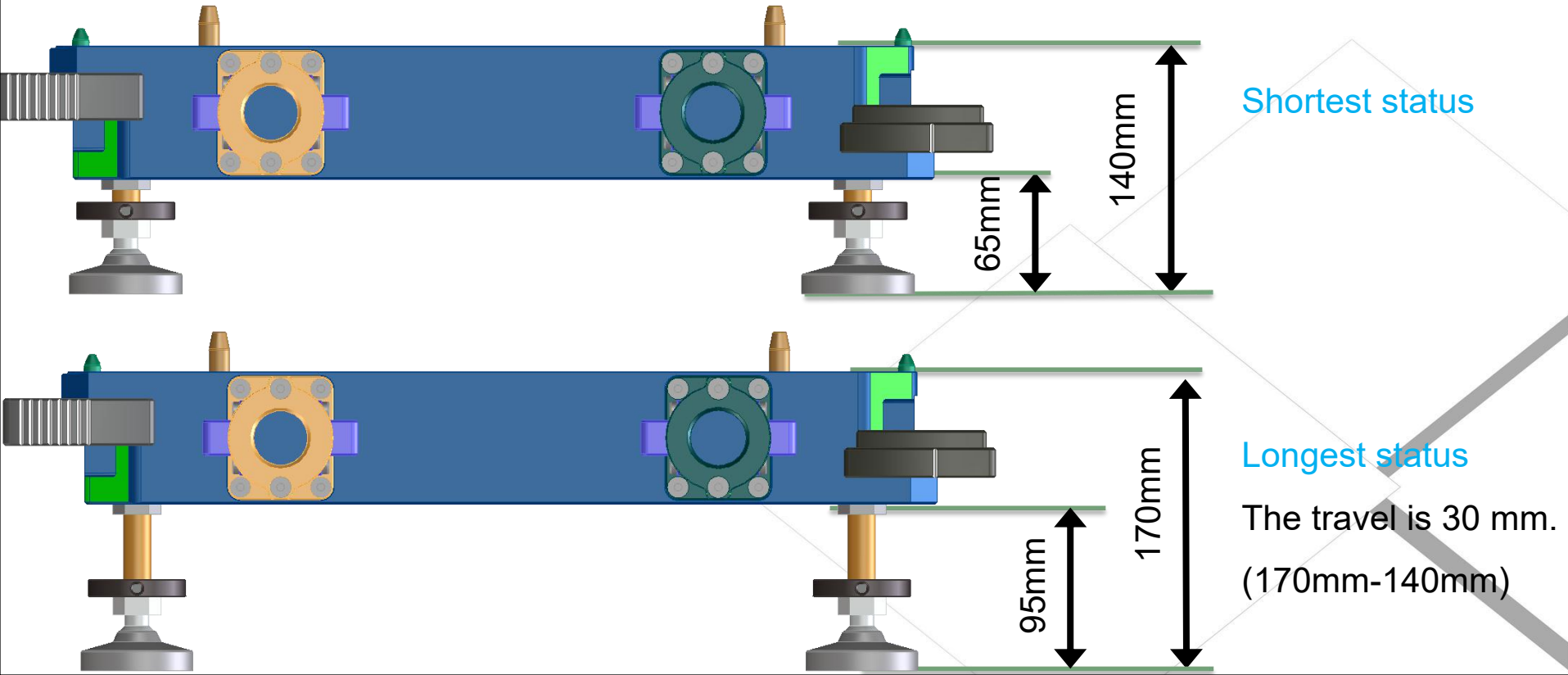
Details



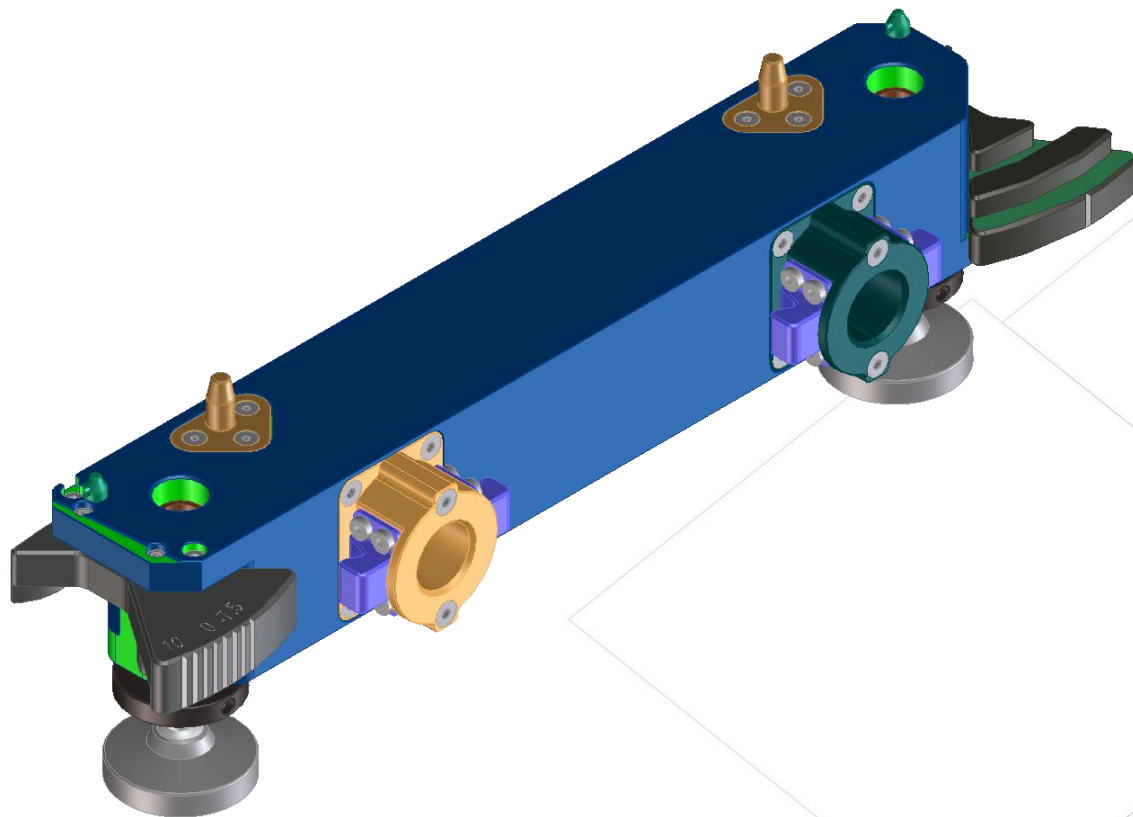
0.5 m Basestand, 0.8 m Outrigger and Tile



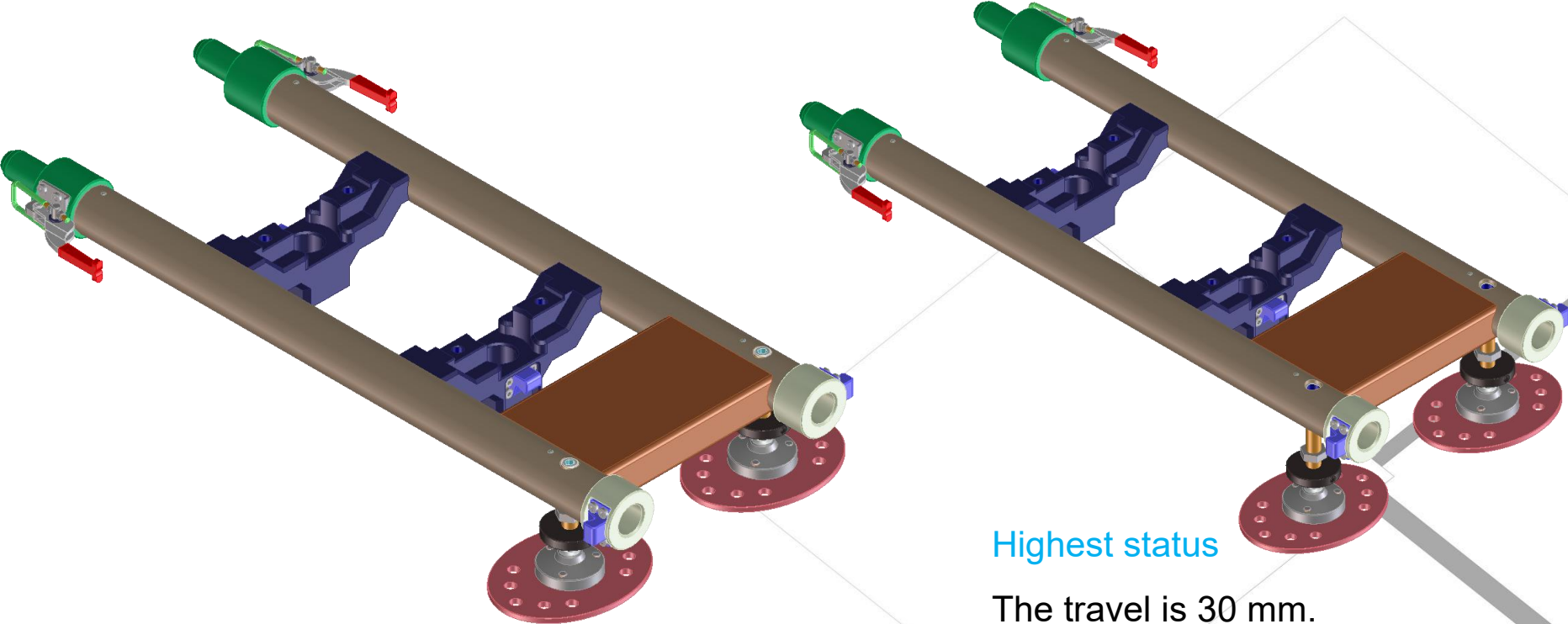
0.5 m Basestand-Different Height



0.5 m Basestand

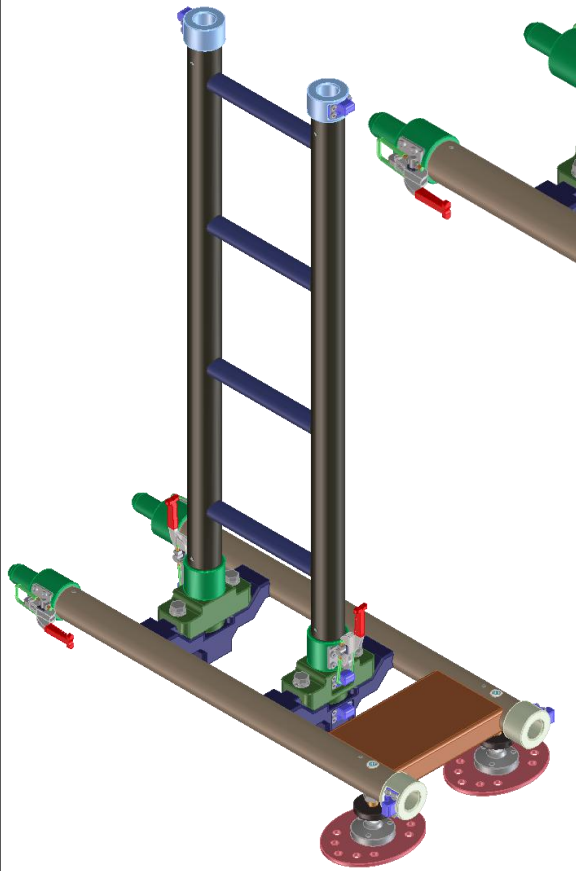


Outrigger-0.8 m

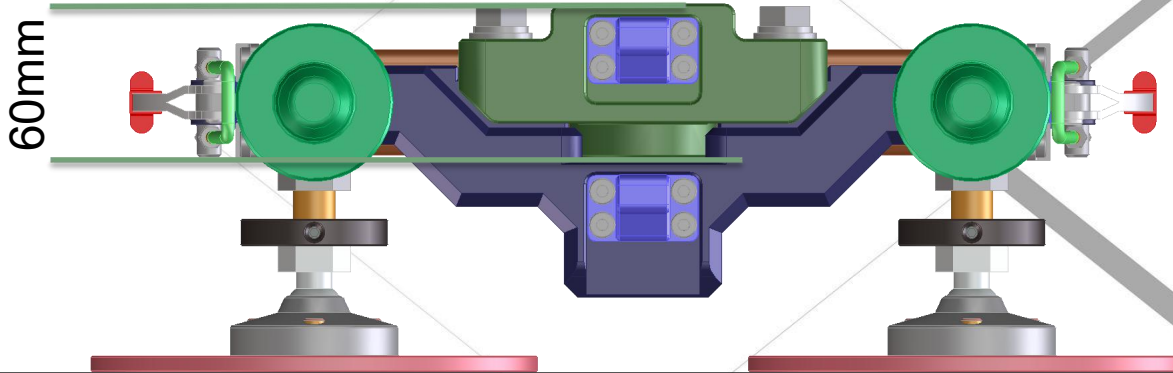
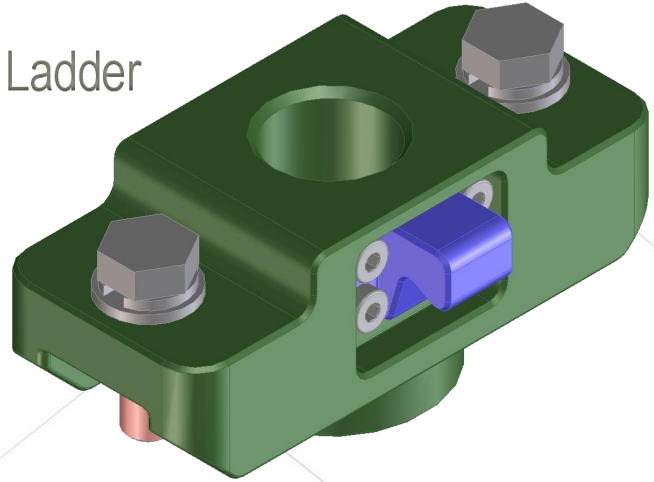


Highest status
The travel is 30 mm.

Outrigger 0.8 m with Spacer for Normal Ladder

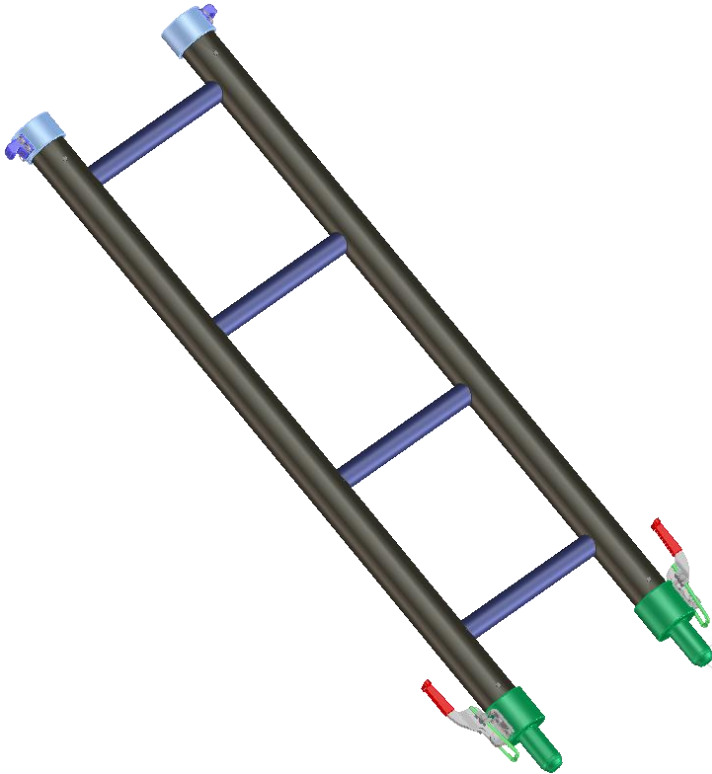


Spacer for Normal Ladder

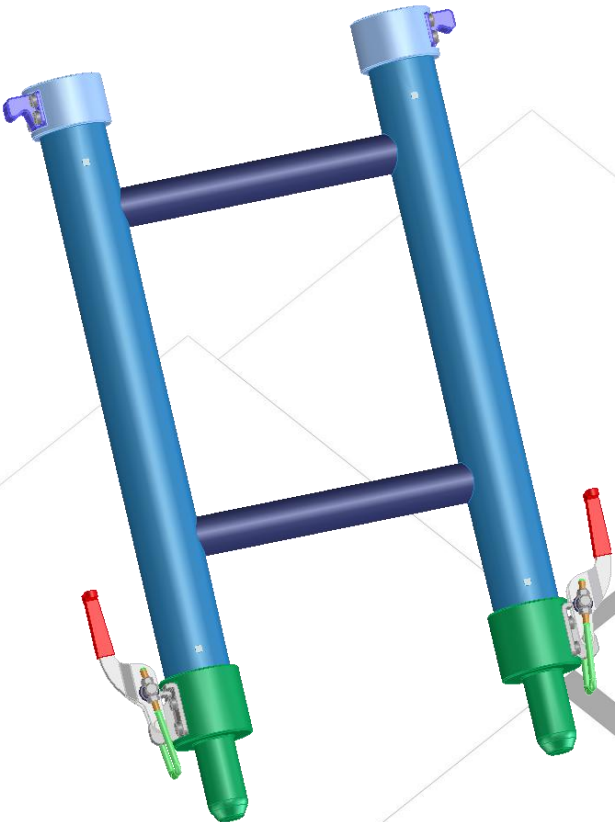


60mm

Ladder

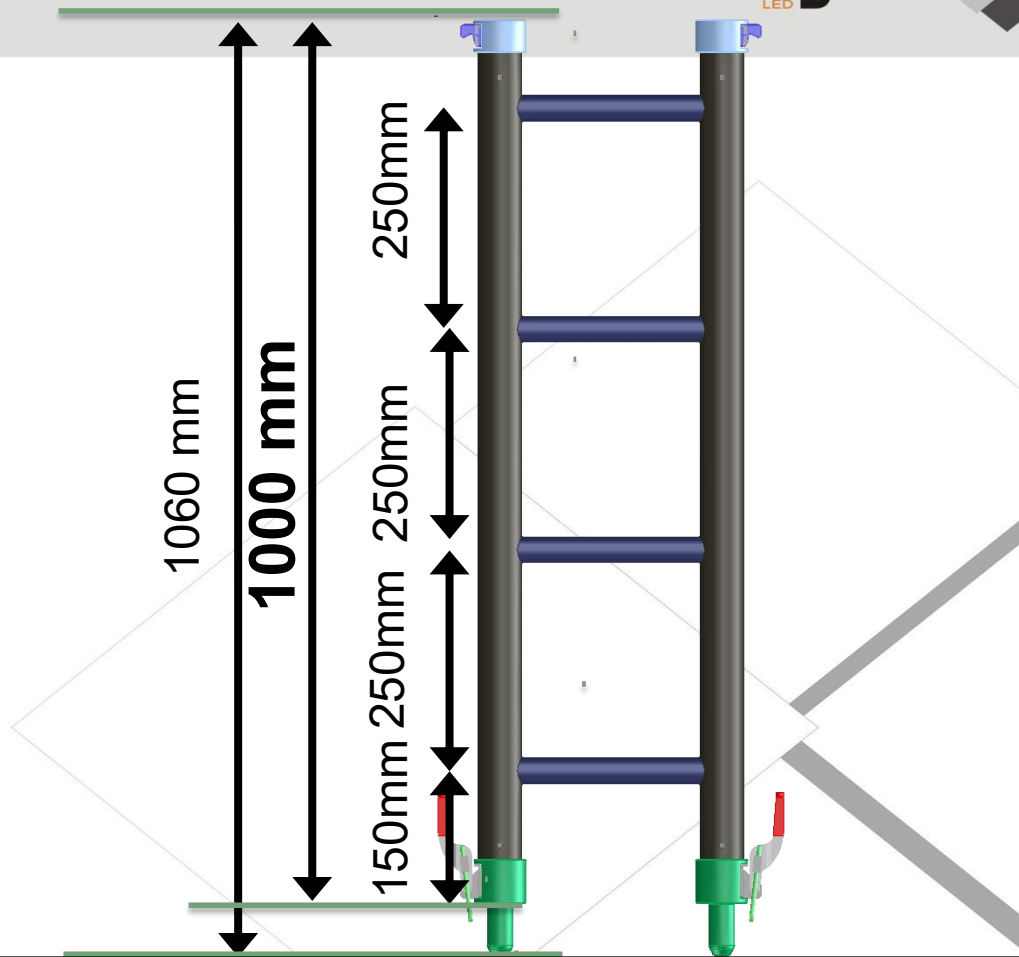
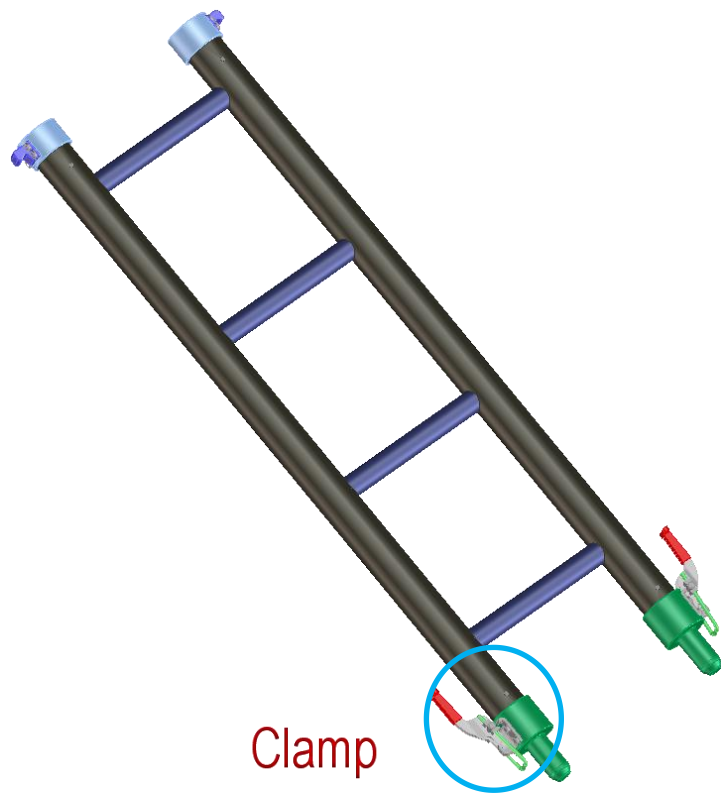


1M

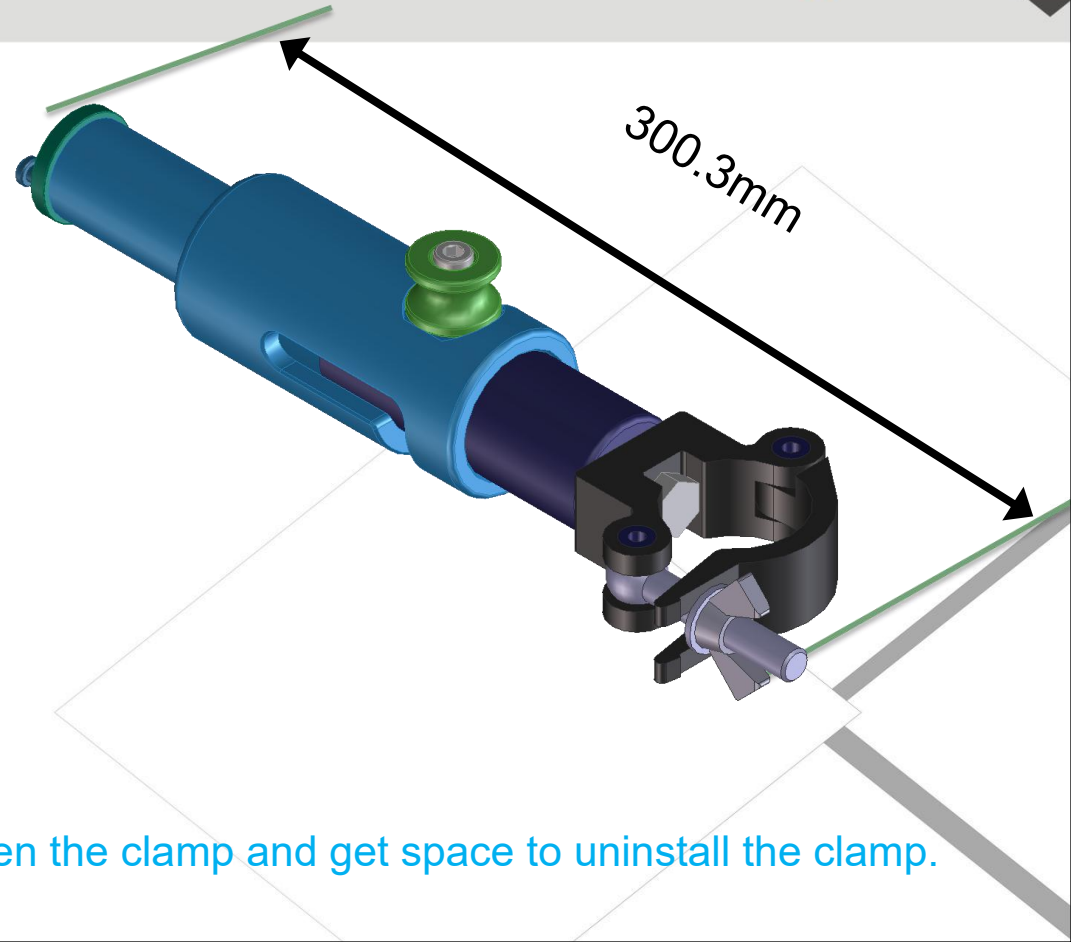
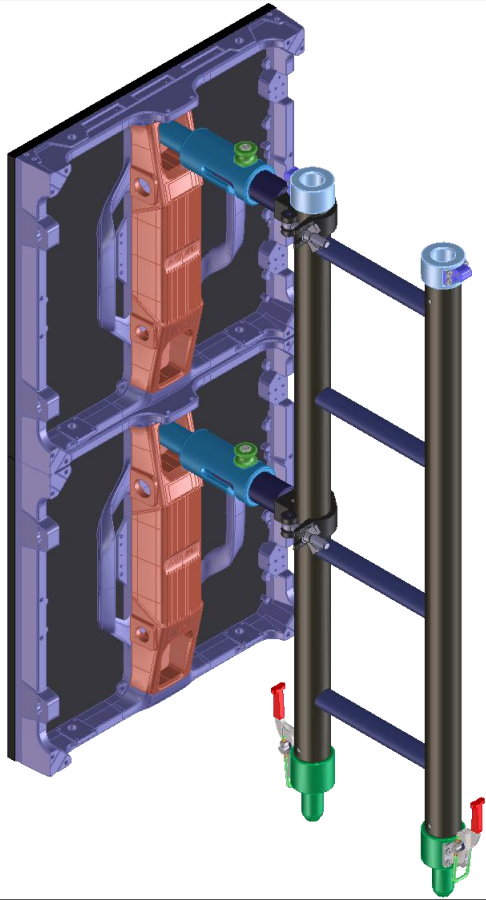


0.5M

Ladder

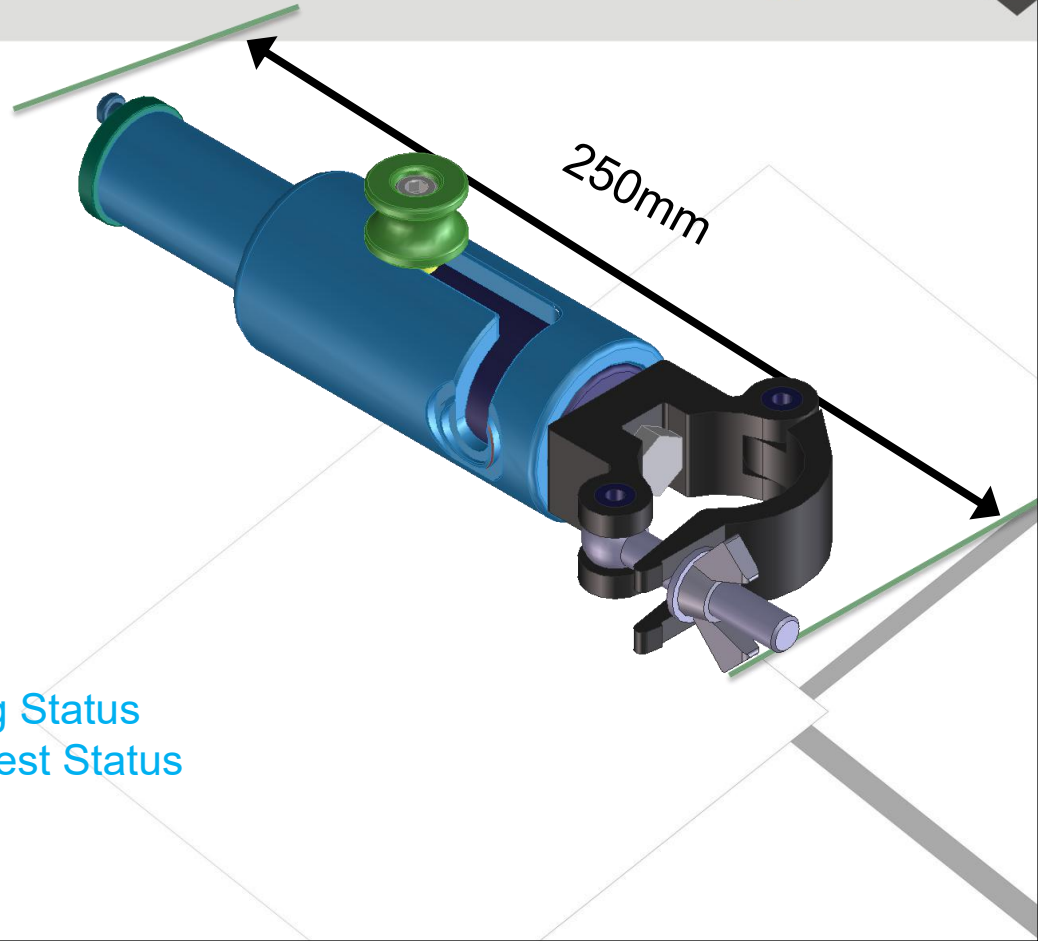
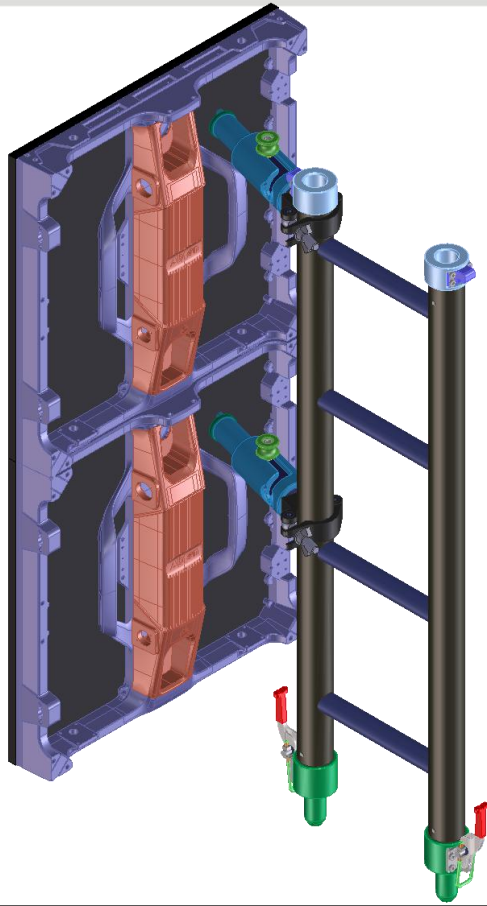


Clamp between the tile and the ladder



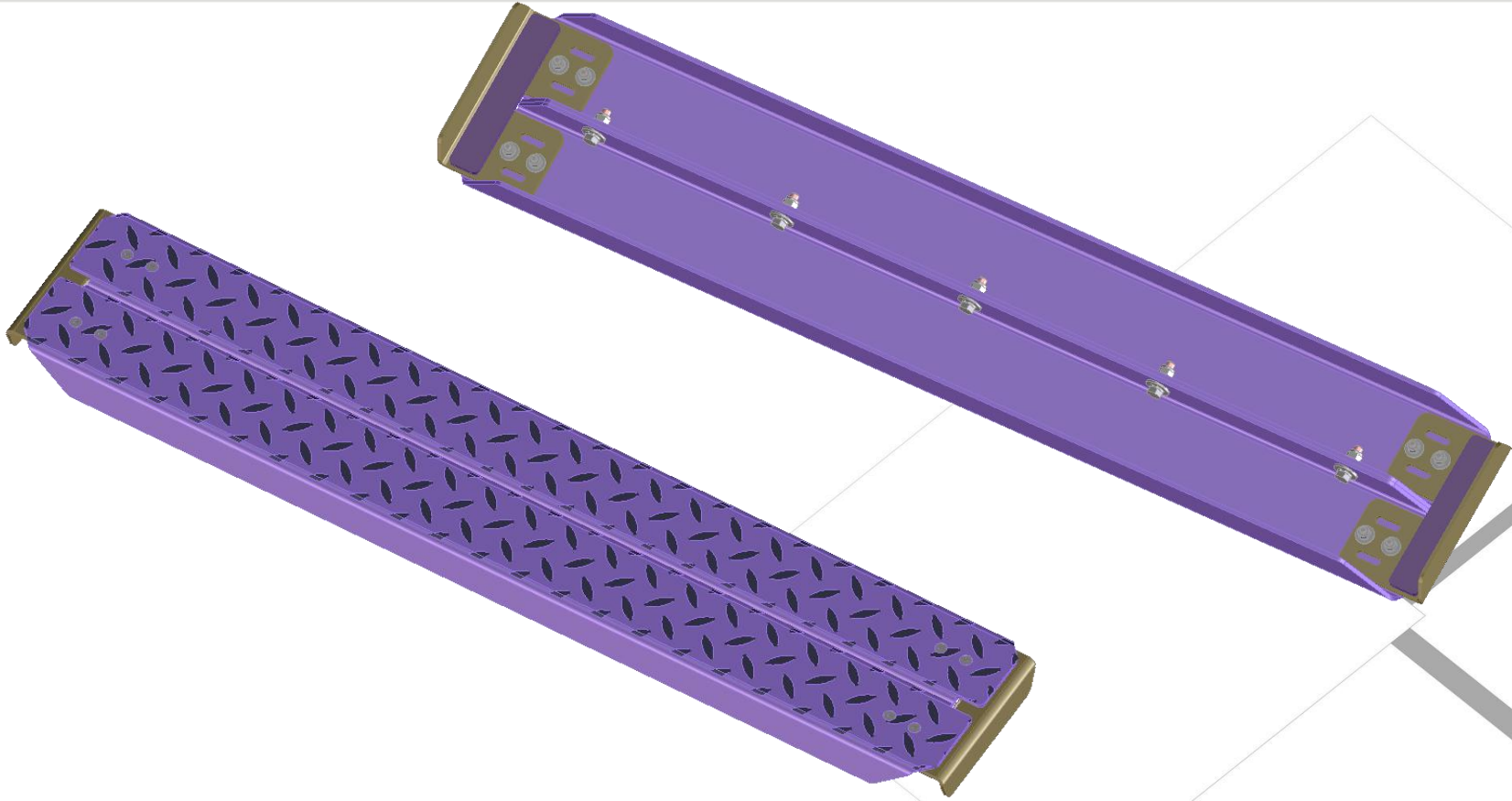
Shorten the clamp and get space to uninstall the clamp.

Clamp between the tile and the ladder



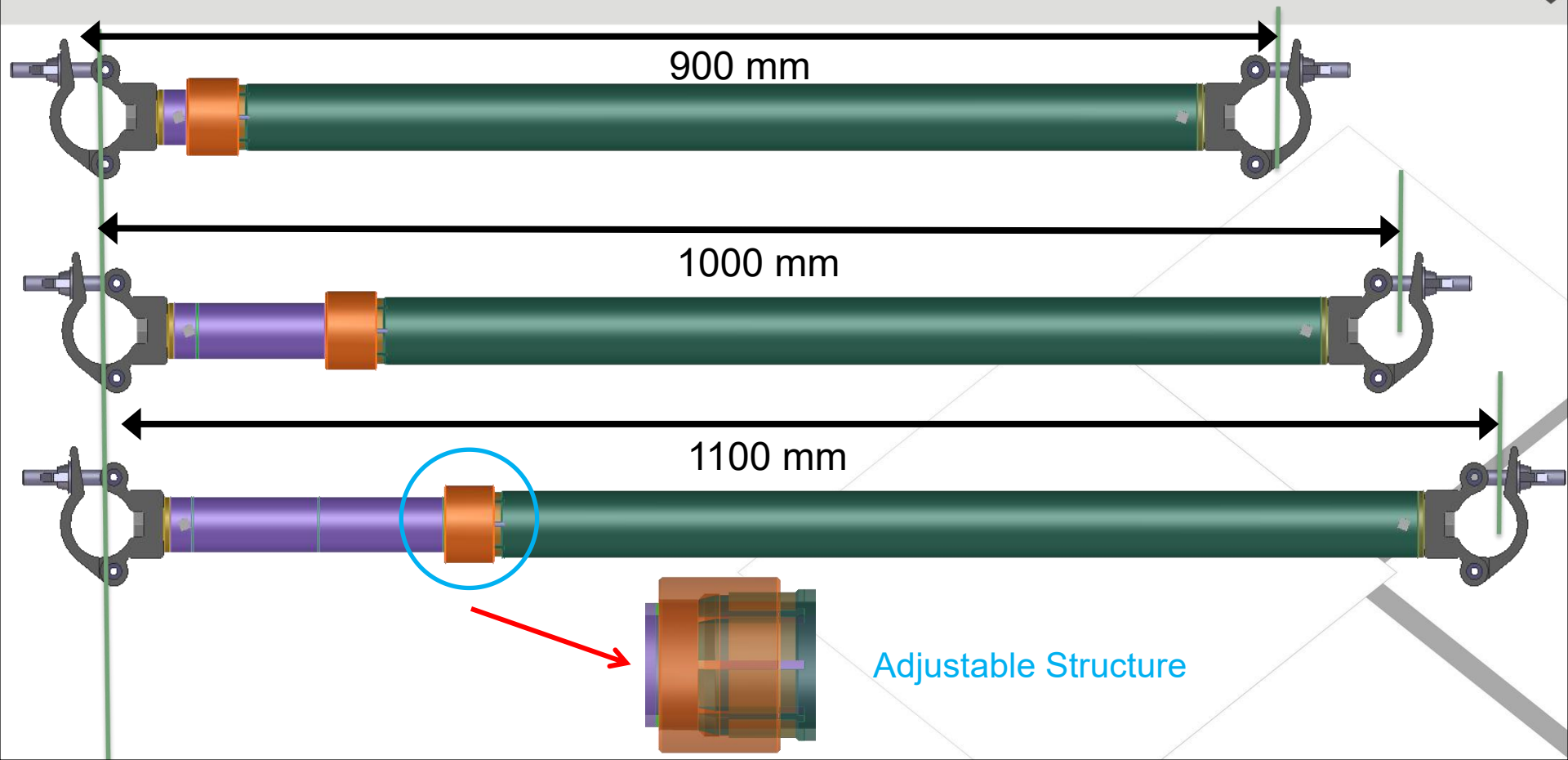
Using Status
Longest Status

PLATFORM 1M

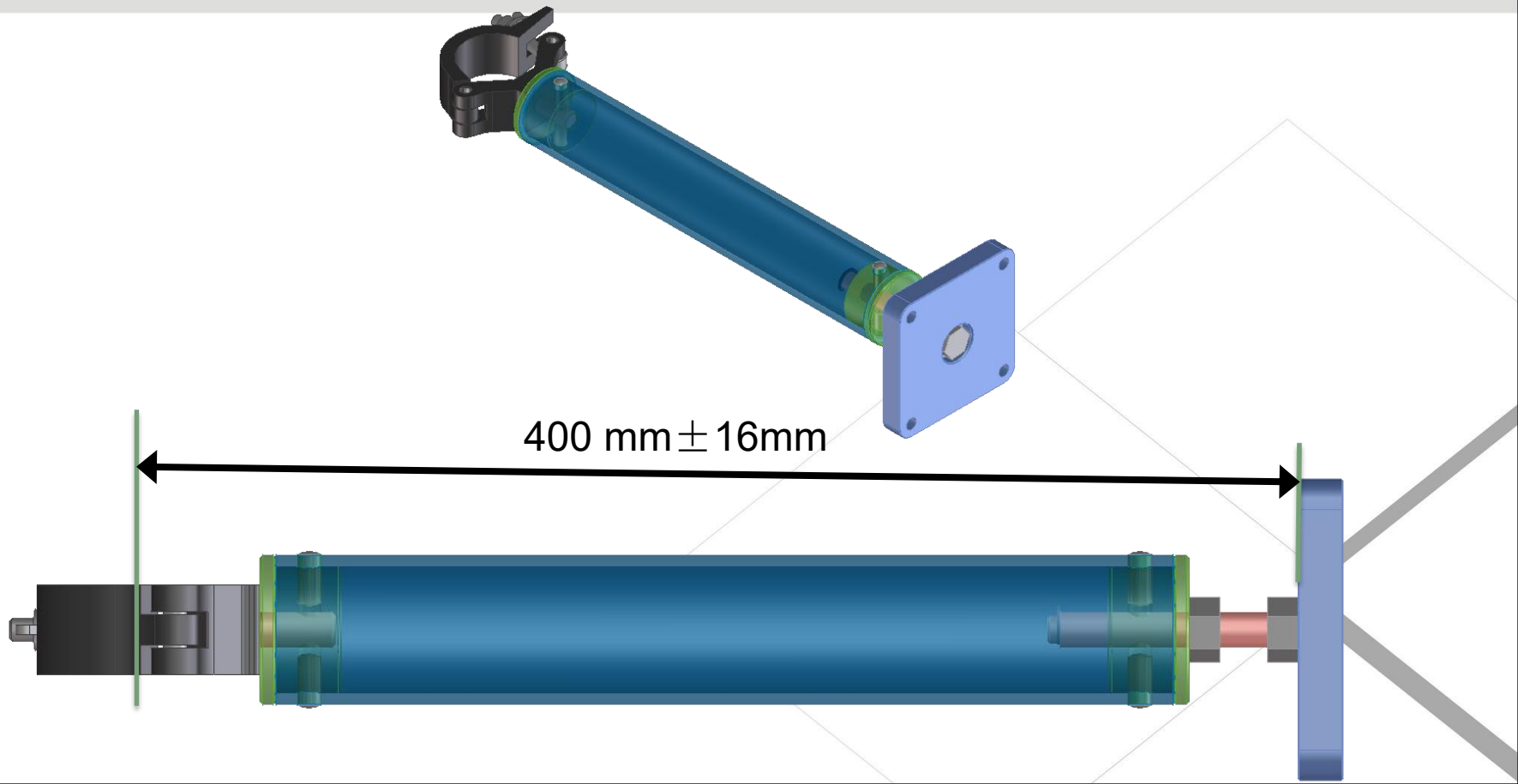


Adjustable Beam Connector-Different Length

absen
LED



Clamp between the tile and the ladder



THANK YOU !

Absen
LED

Leading LED Applications

