

Service manual

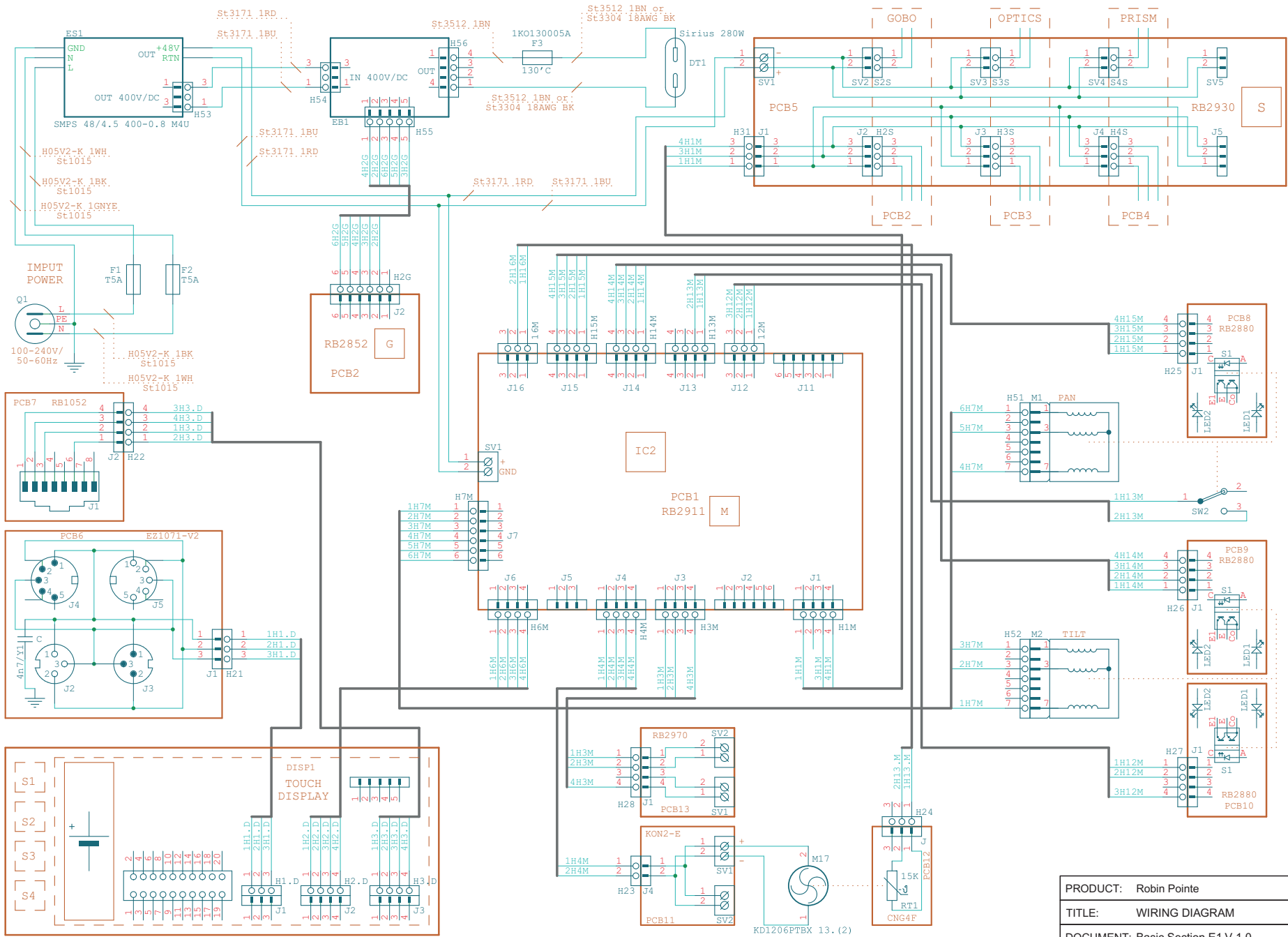
Robin Pointe

Exploded Diagrams
Circuit Diagrams
Wiring Diagrams
Order Numbers

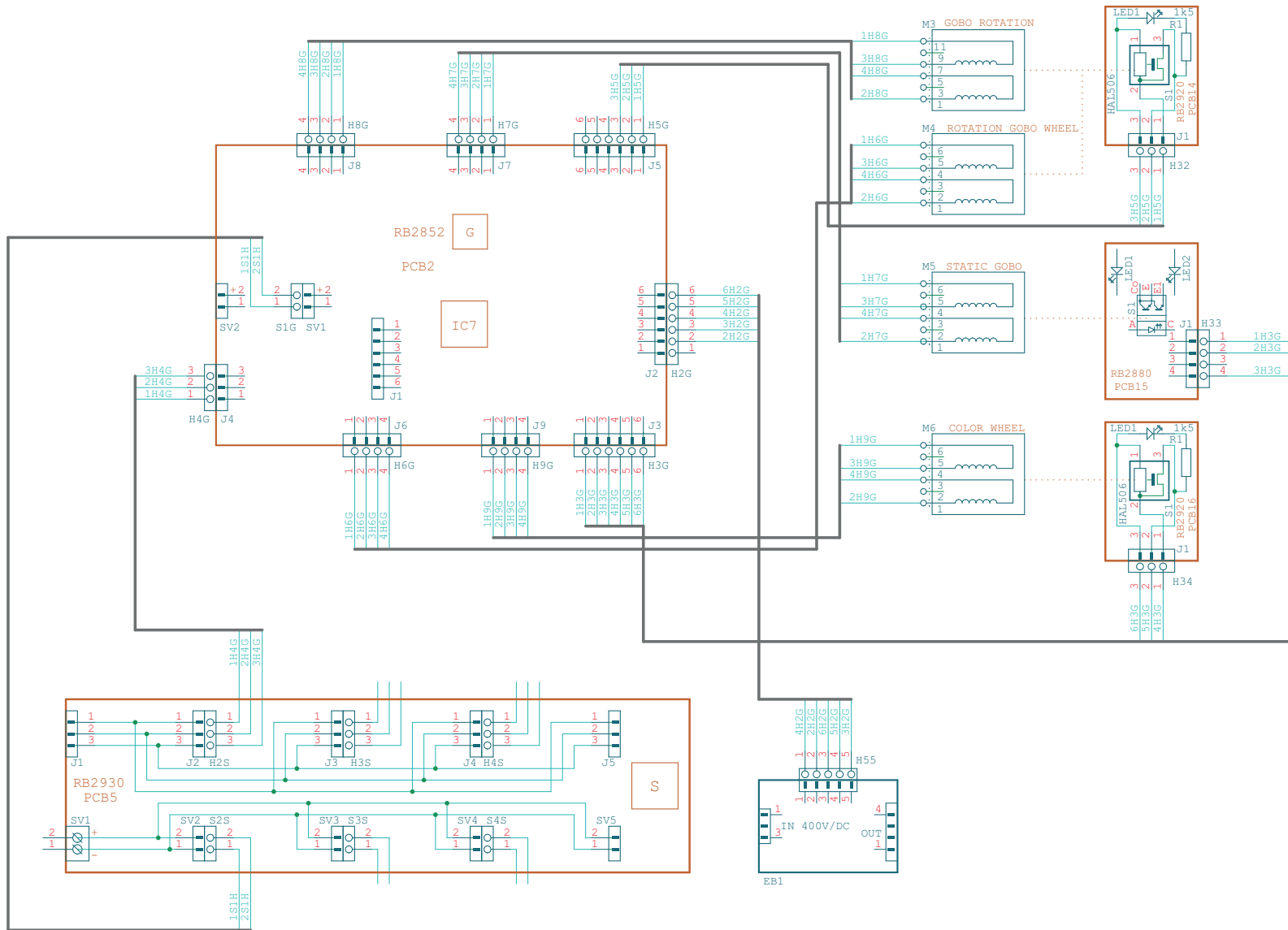


ROBE

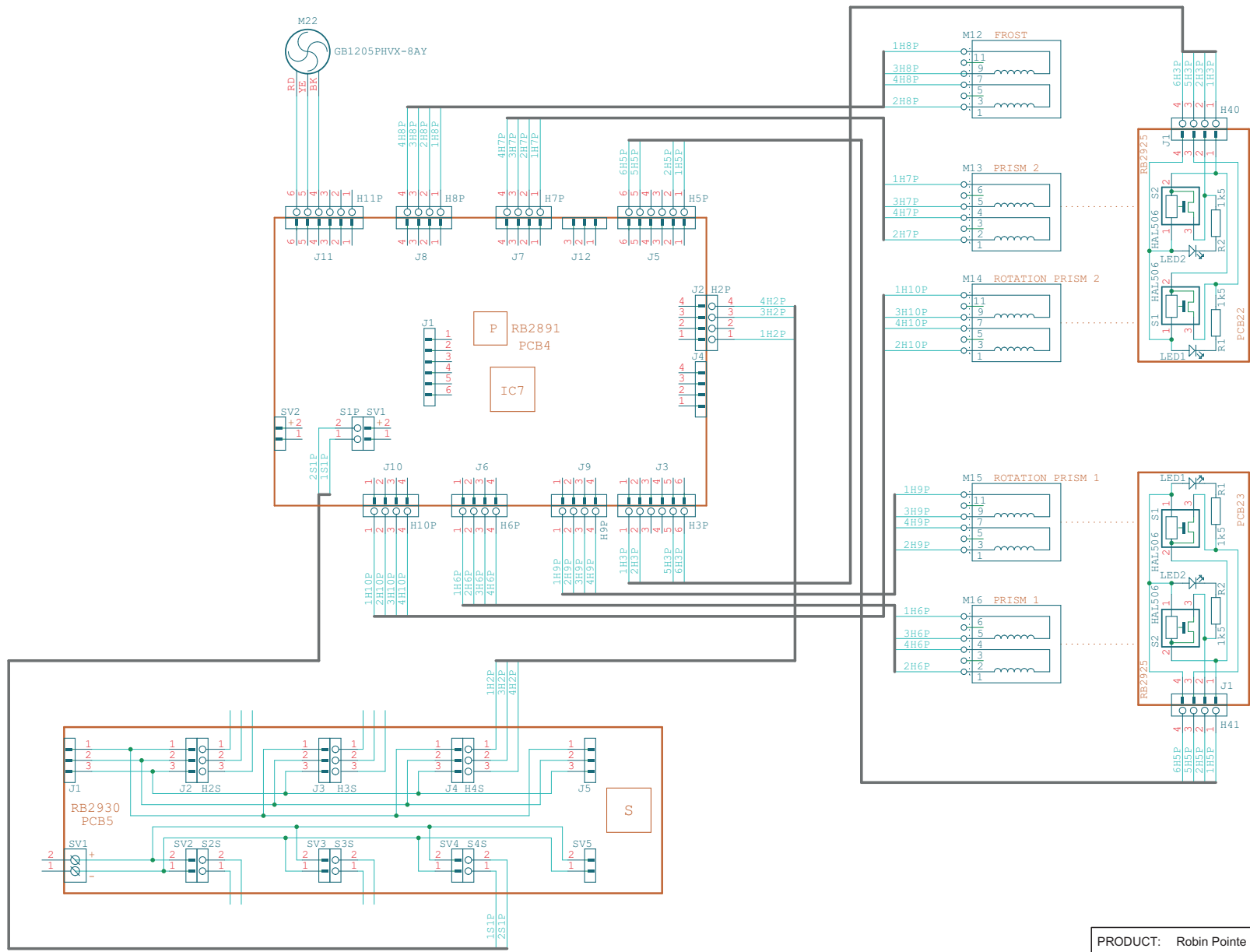
Version: 1 b



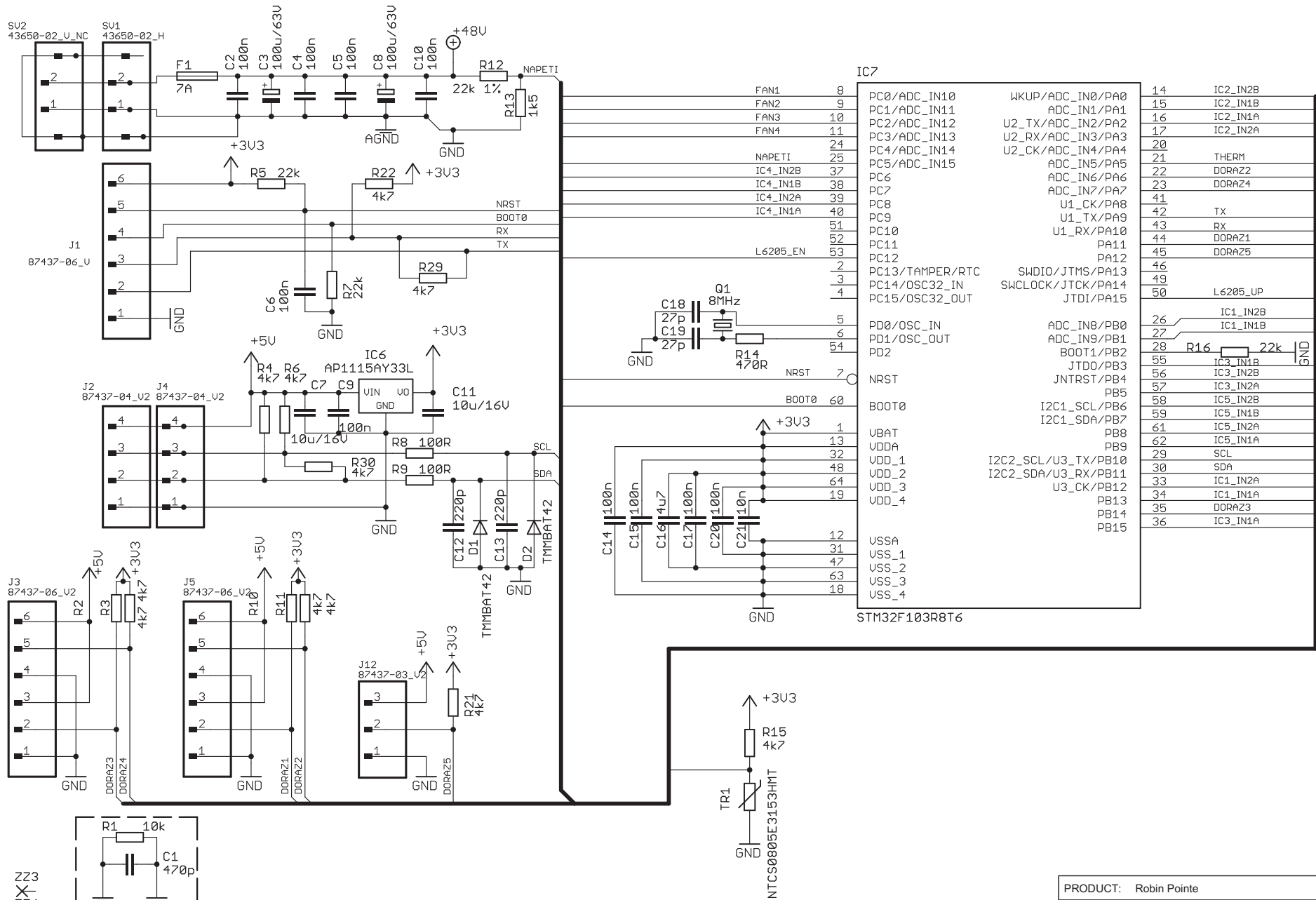
PRODUCT:	Robin Pointe
TITLE:	WIRING DIAGRAM
DOCUMENT:	Basic Section E1 V 1.0
VERSION:	1
DATE:	30.04.2013
SHEET:	01 OF 15



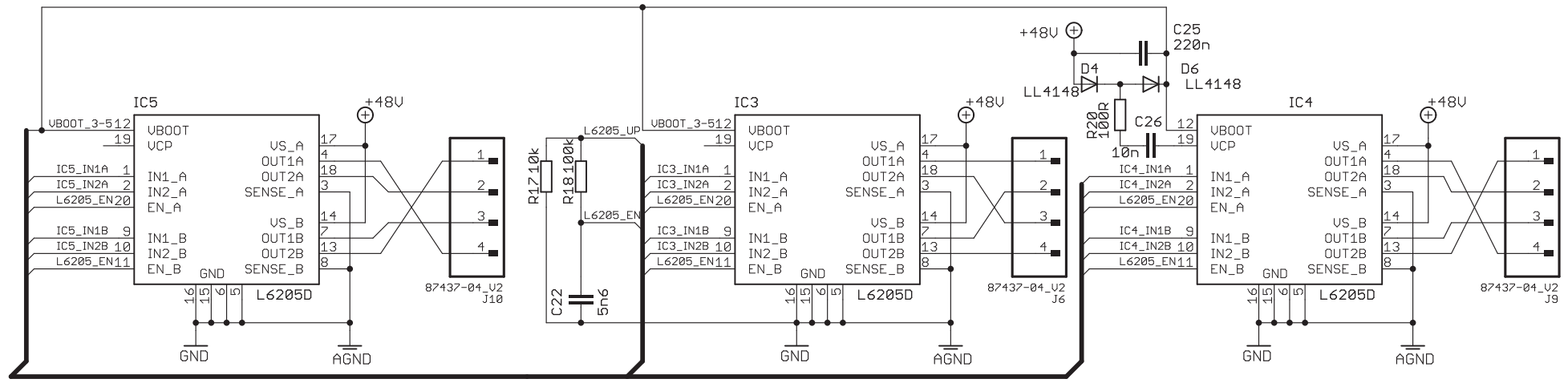
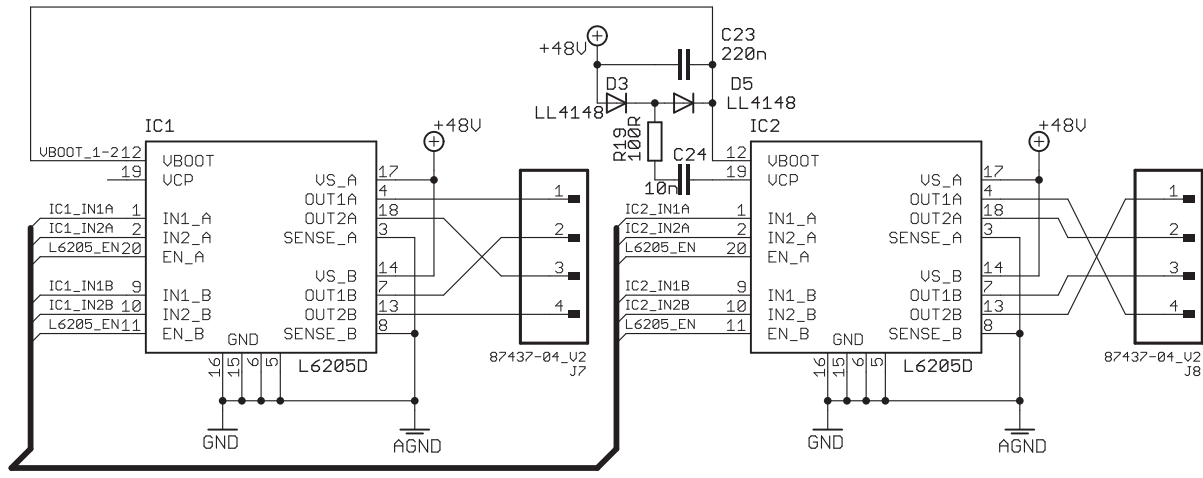
PRODUCT: Robin Pointe		
TITLE: WIRING DIAGRAM		
DOCUMENT: Gobo Section E2 V 1.0		
VERSION: 1	DATE: 30.04.2013	SHEET: 03 OF 15



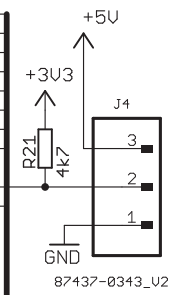
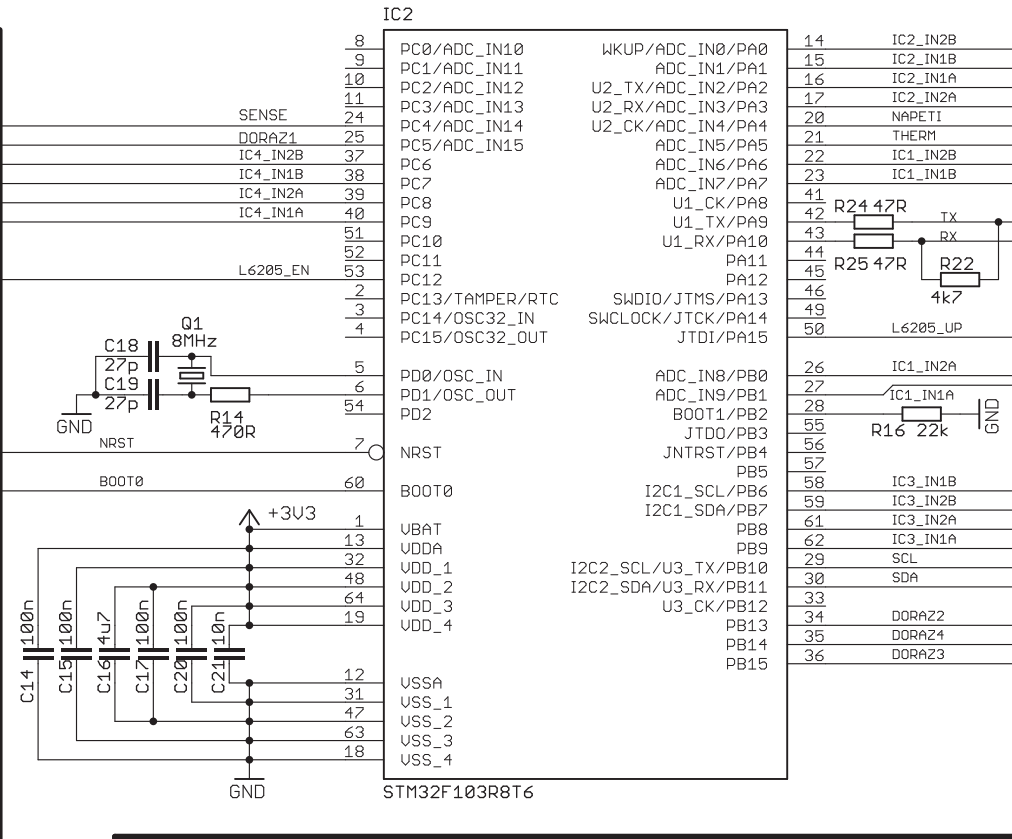
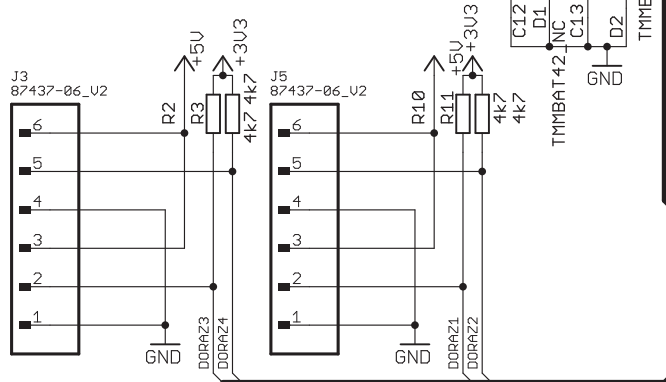
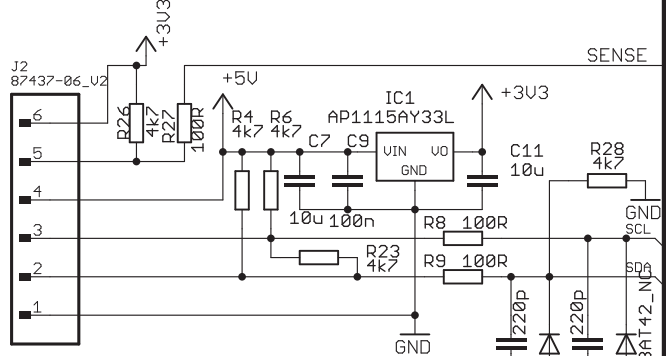
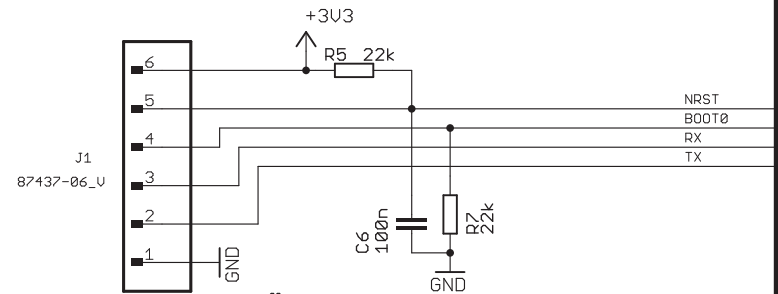
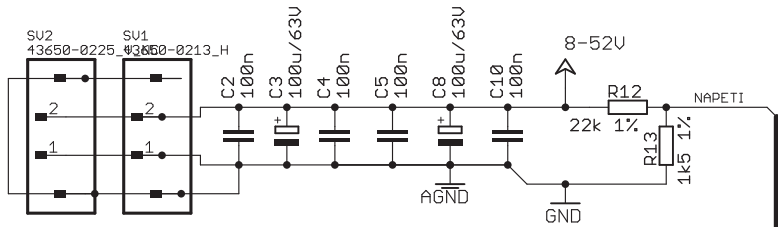
PRODUCT:	Robin Pointe		
TITLE:	WIRING DIAGRAM		
DOCUMENT:	Prism Section E4 V 1.0		
VERSION: 1	DATE: 30.04.2013	SHEET: 05 OF 15	



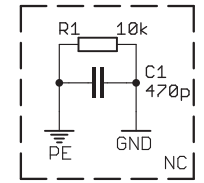
PRODUCT: Robin Pointe		
TITLE: RB2891 - part 1		
DOCUMENT: CIRCUIT DIAGRAM		
VERSION: 1	DATE: 30.04.2013	SHEET: 06 OF 15



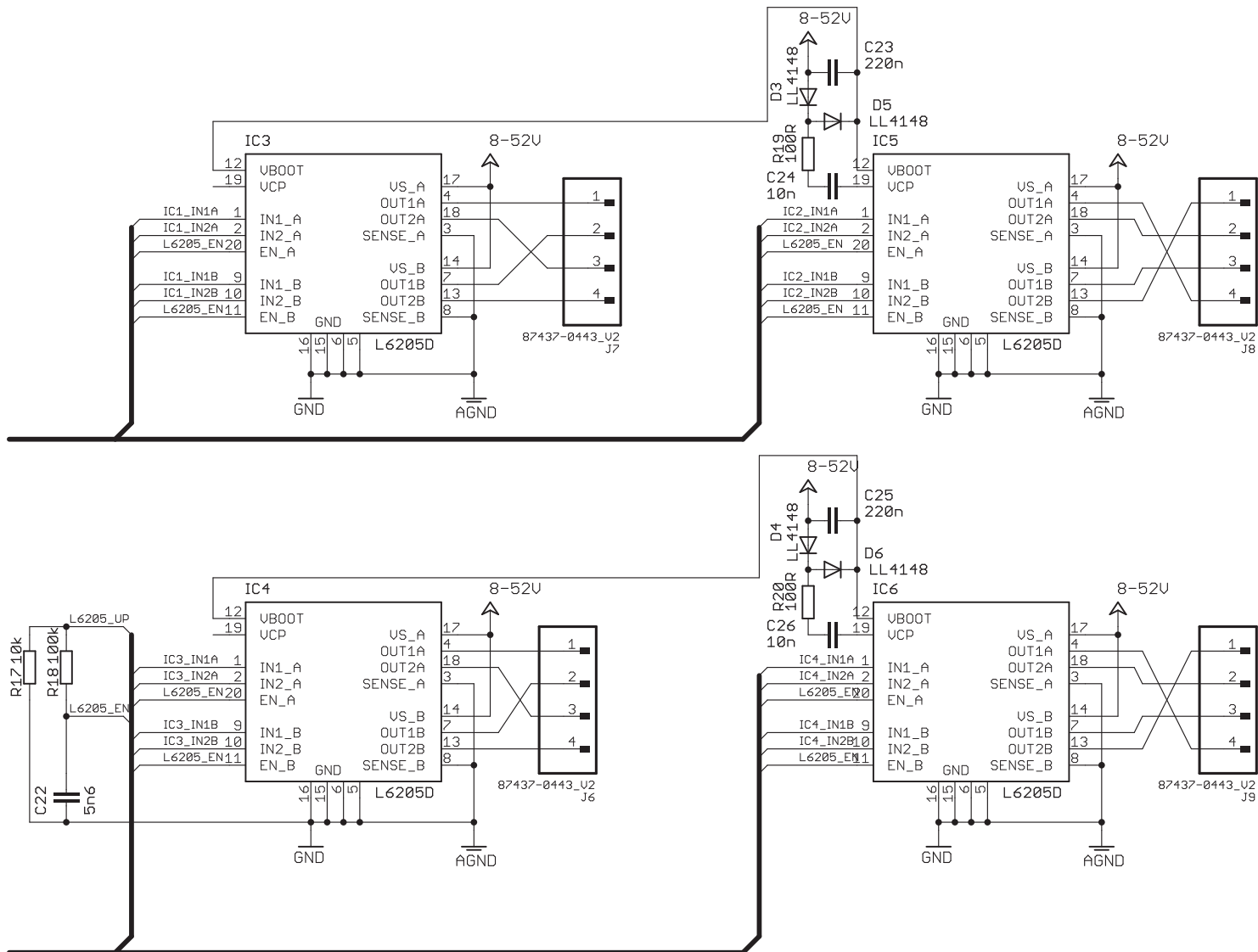
PRODUCT: Robin Pointe		
TITLE: RB2891 - part 2		
DOCUMENT: CIRCUIT DIAGRAM		
VERSION: 1	DATE: 30.04.2013	SHEET: 07 OF 15



ZZ1 X
ZZ2 X
ZZ3 X
ZZ4 X

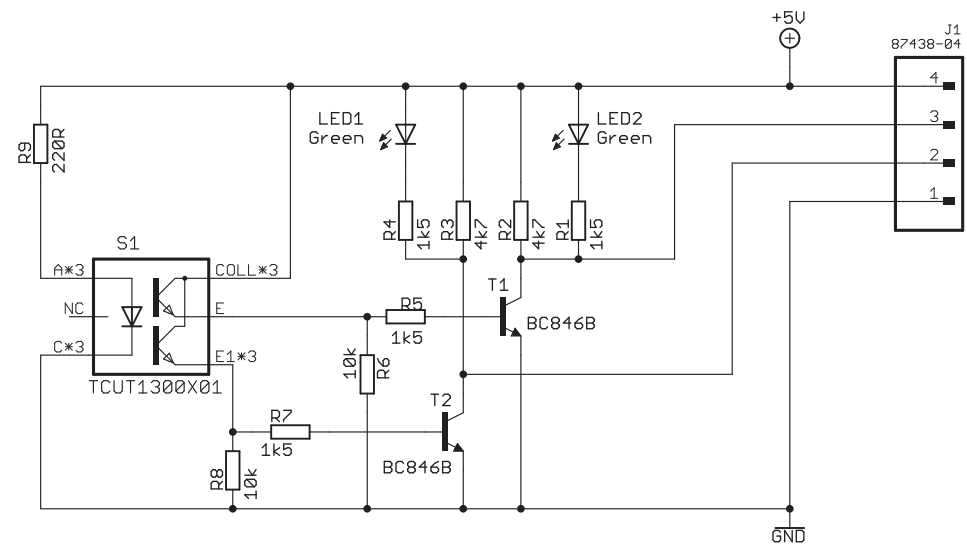


PRODUCT: Robin Pointe		
TITLE: RB2852 - part 1		
DOCUMENT: CIRCUIT DIAGRAM		
VERSION: 1	DATE: 30.04.2013	SHEET: 09 OF 15

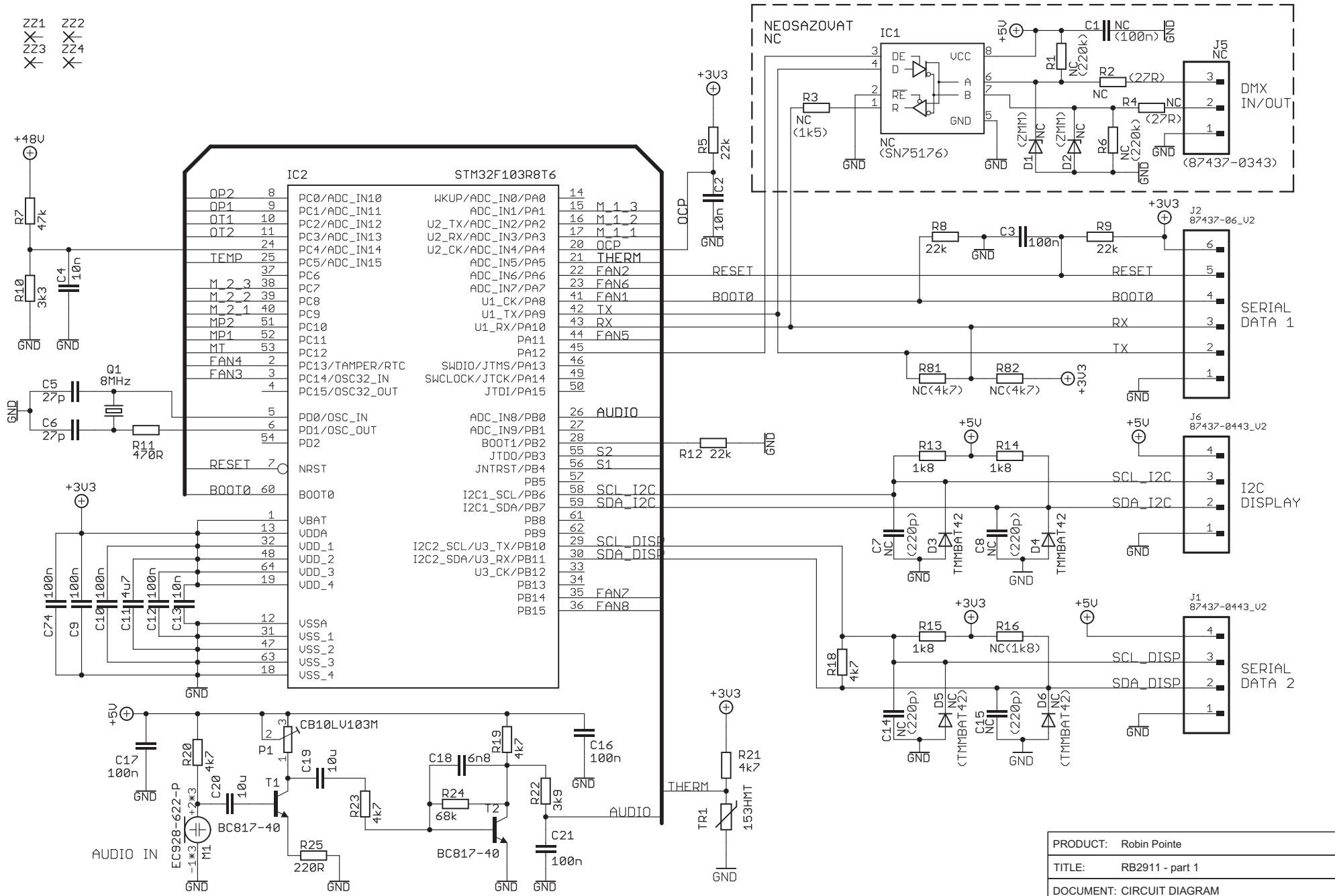


PRODUCT: Robin Pointe		
TITLE: RB2852 - part 2		
DOCUMENT: CIRCUIT DIAGRAM		
VERSION: 1	DATE: 30.04.2013	SHEET: 10 OF 15

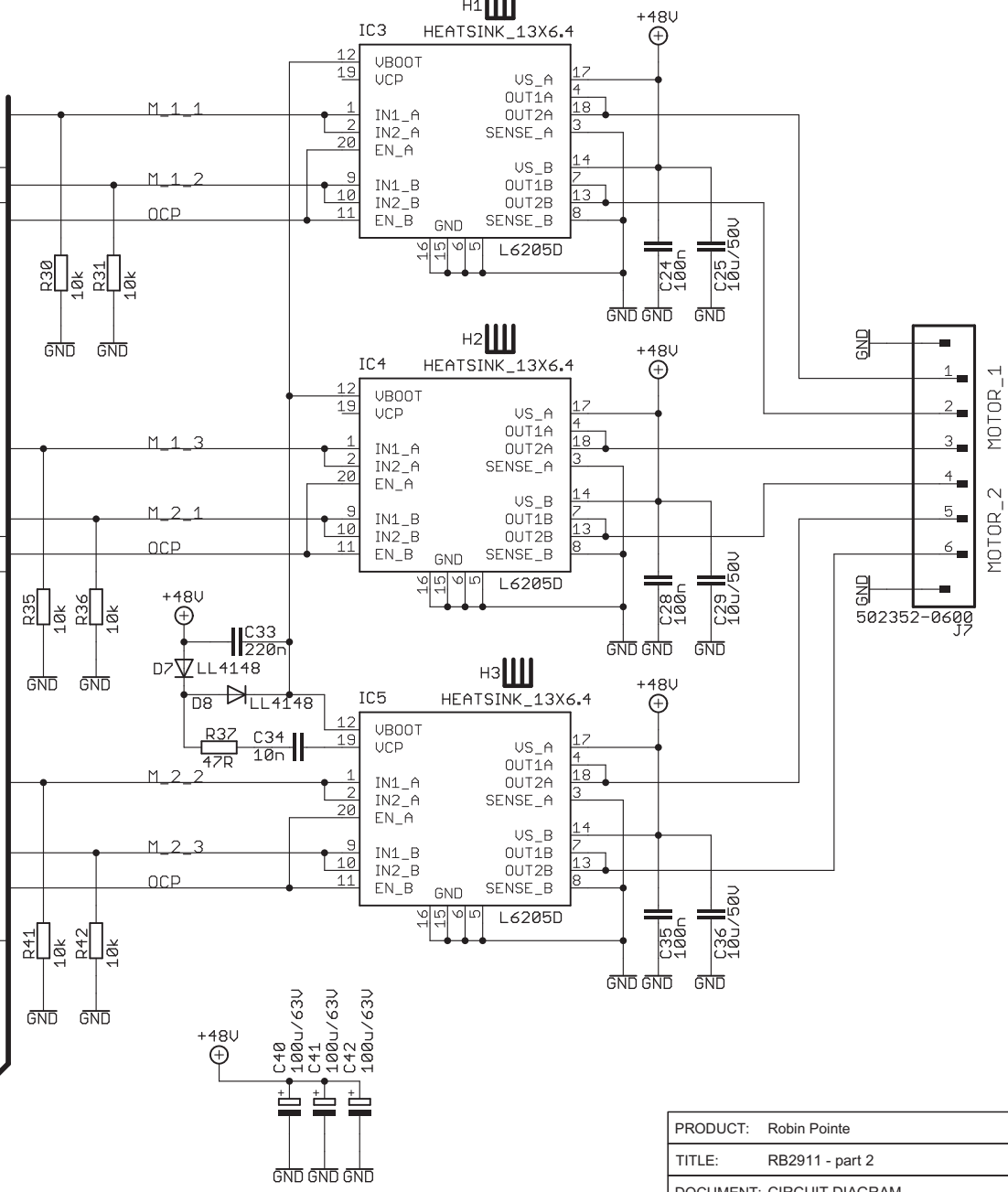
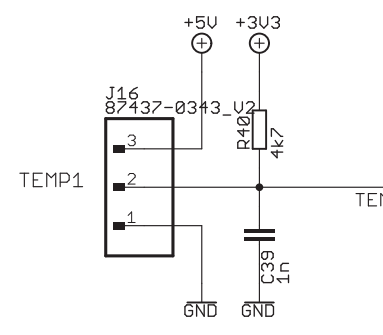
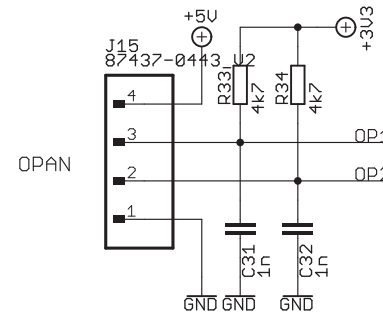
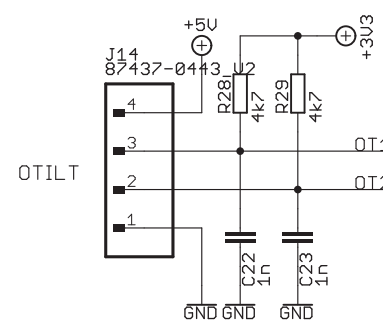
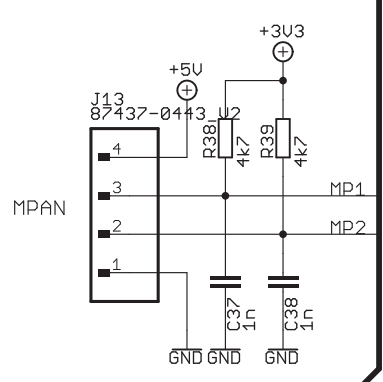
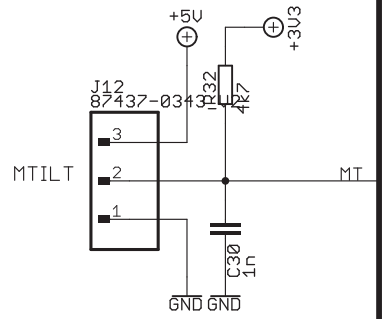
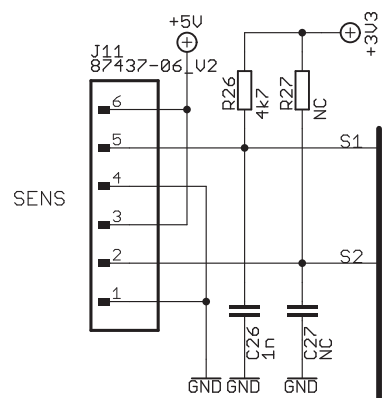
ZZ1
X-
ZZ2
X-



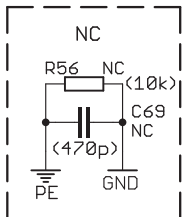
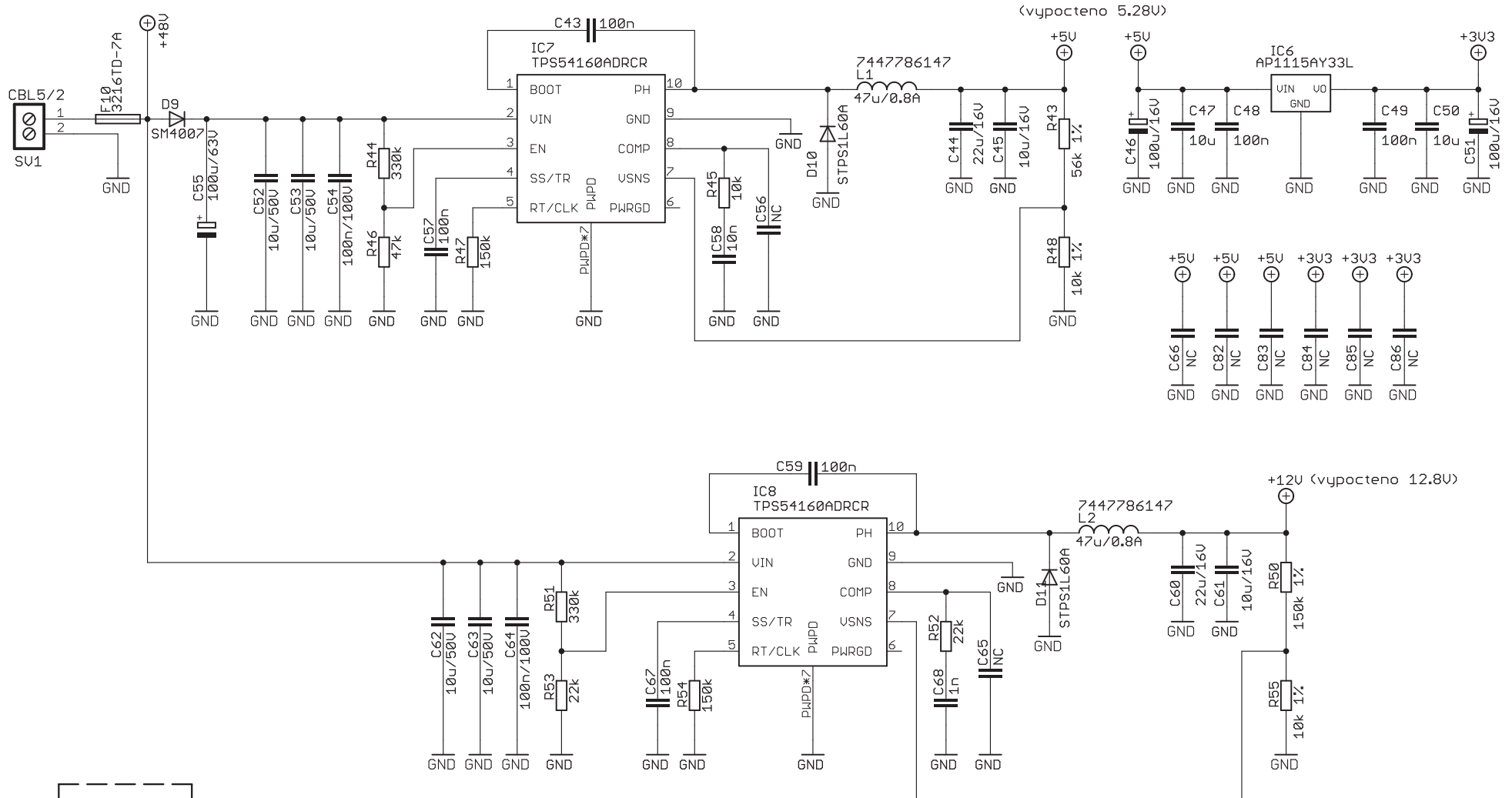
PRODUCT: Robin Pointe		
TITLE: RB2880		
DOCUMENT: CIRCUIT DIAGRAM		
VERSION: 1	DATE: 30.04.2013	SHEET: 11 OF 15



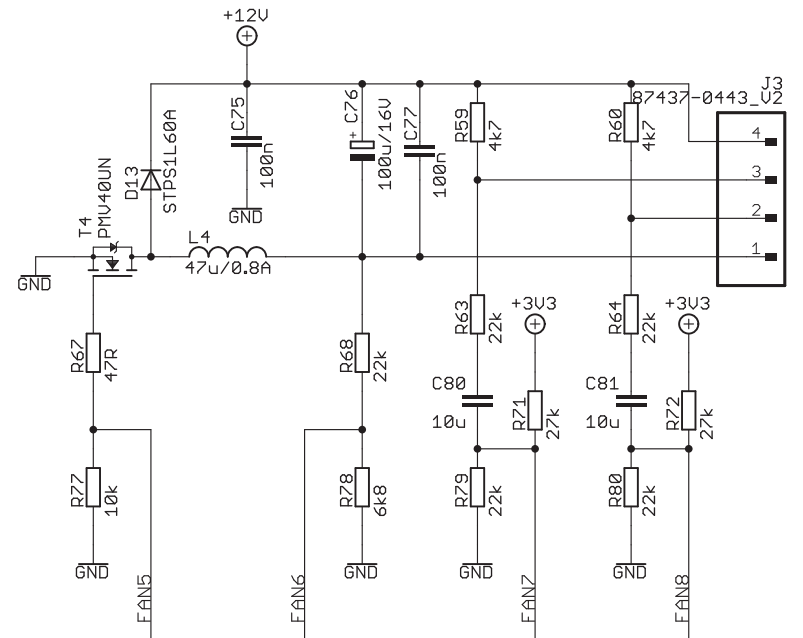
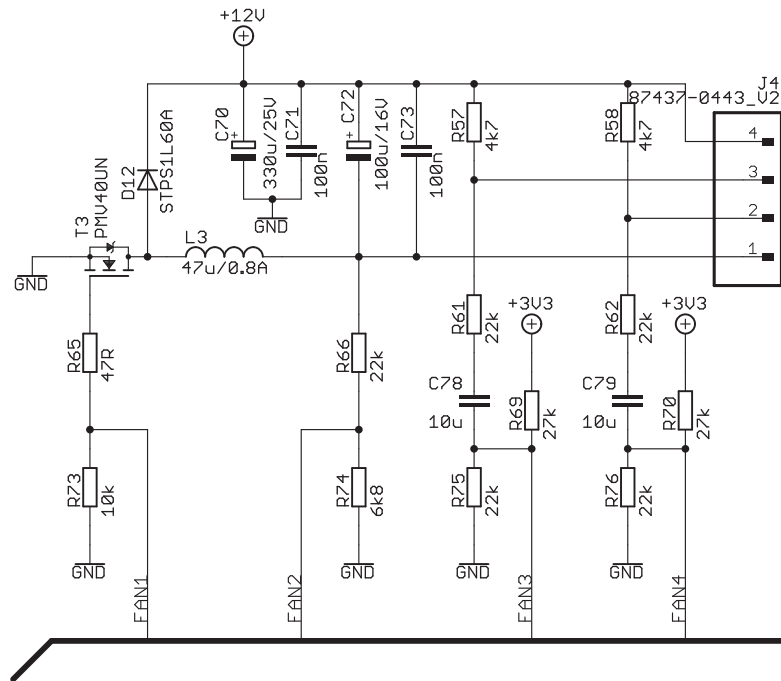
PRODUCT: Robin Pointe		
TITLE: RB2911 - part 1		
DOCUMENT: CIRCUIT DIAGRAM		
VERSION: 1	DATE: 30.04.2013	SHEET: 12 OF 15



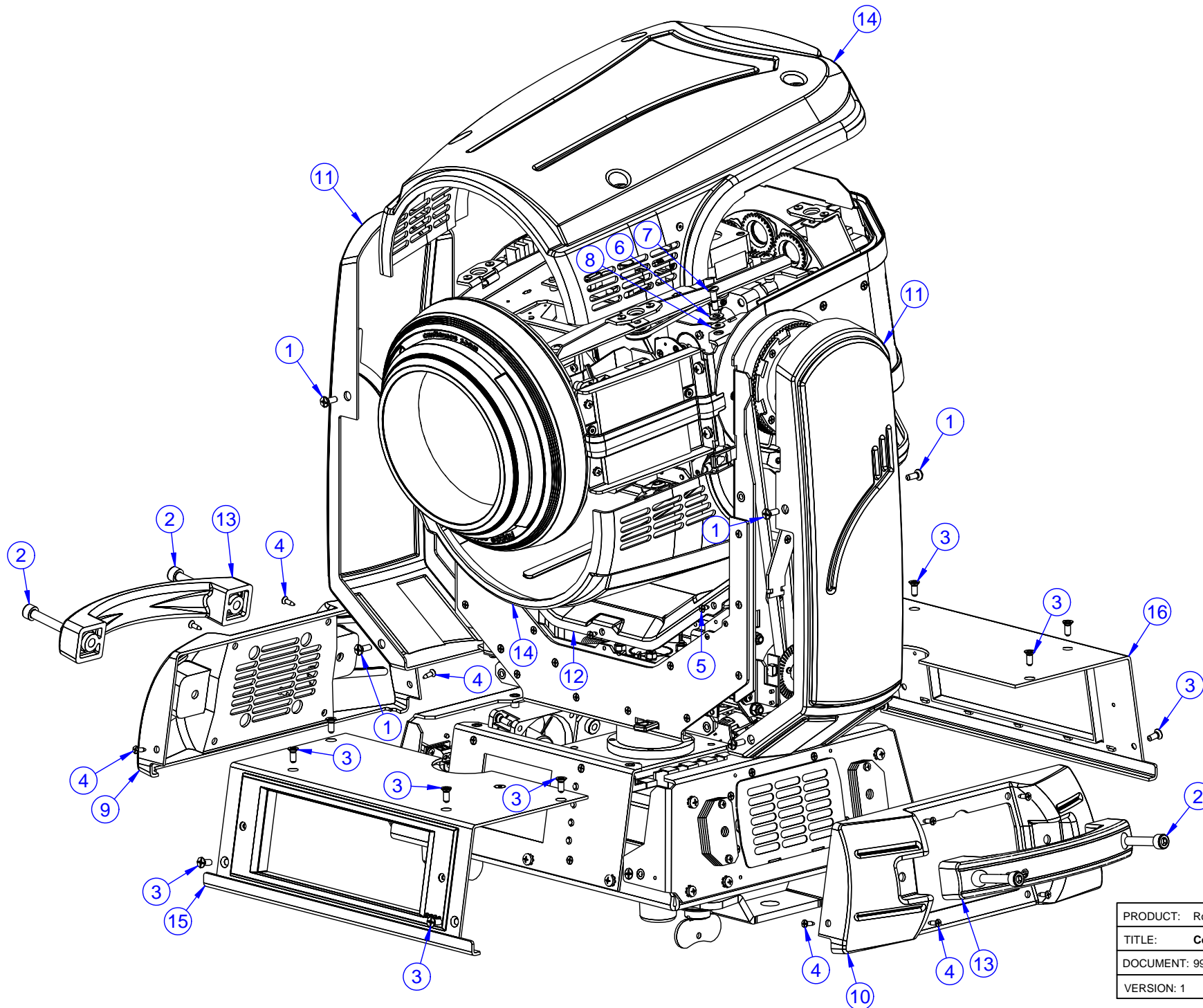
PRODUCT: Robin Pointe		
TITLE: RB2911 - part 2		
DOCUMENT: CIRCUIT DIAGRAM		
VERSION: 1	DATE: 30.04.2013	SHEET: 13 OF 15



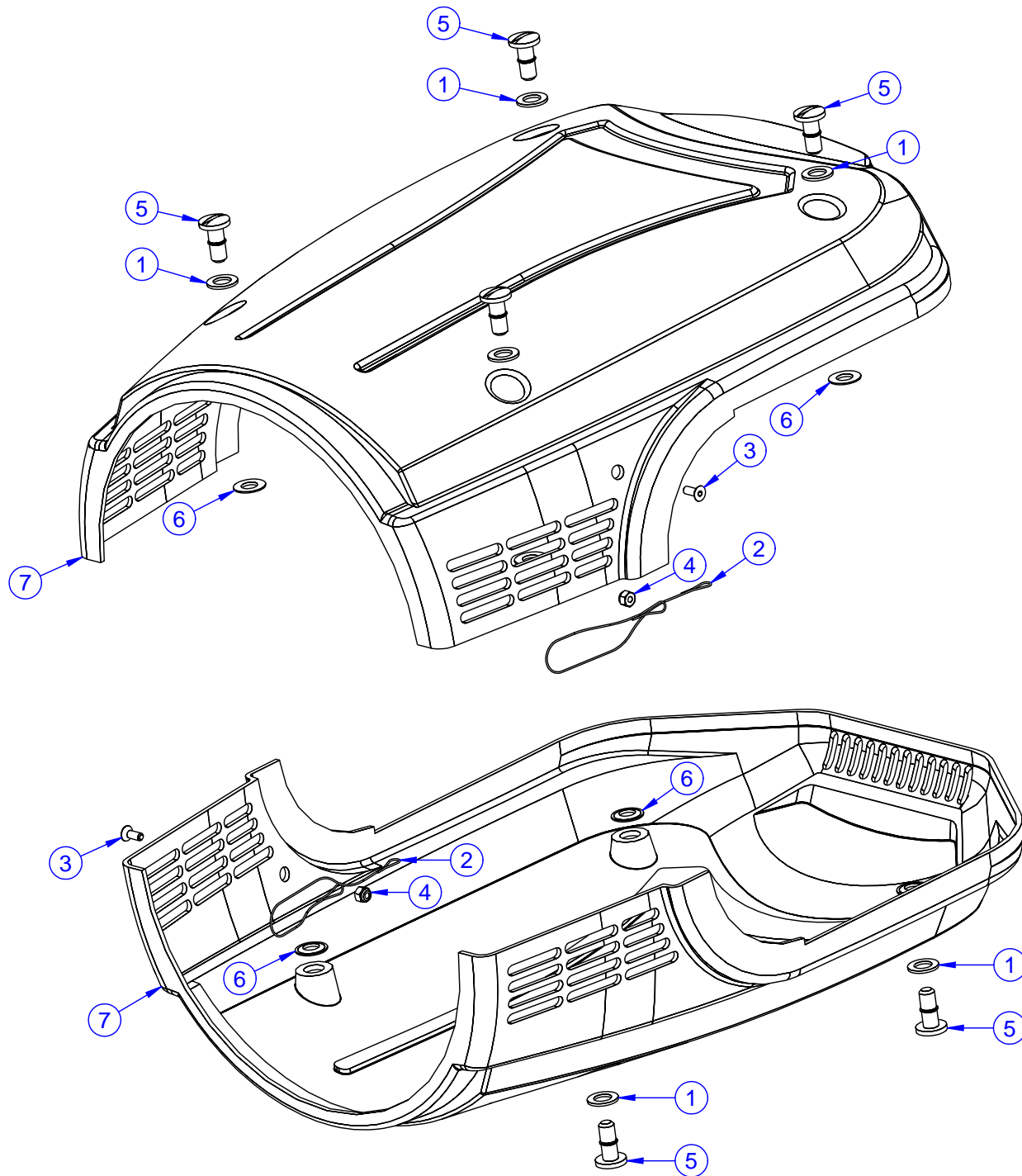
PRODUCT: Robin Pointe		
TITLE: RB2911 - part 3		
DOCUMENT: CIRCUIT DIAGRAM		
VERSION: 1	DATE: 30.04.2013	SHEET: 14 OF 15



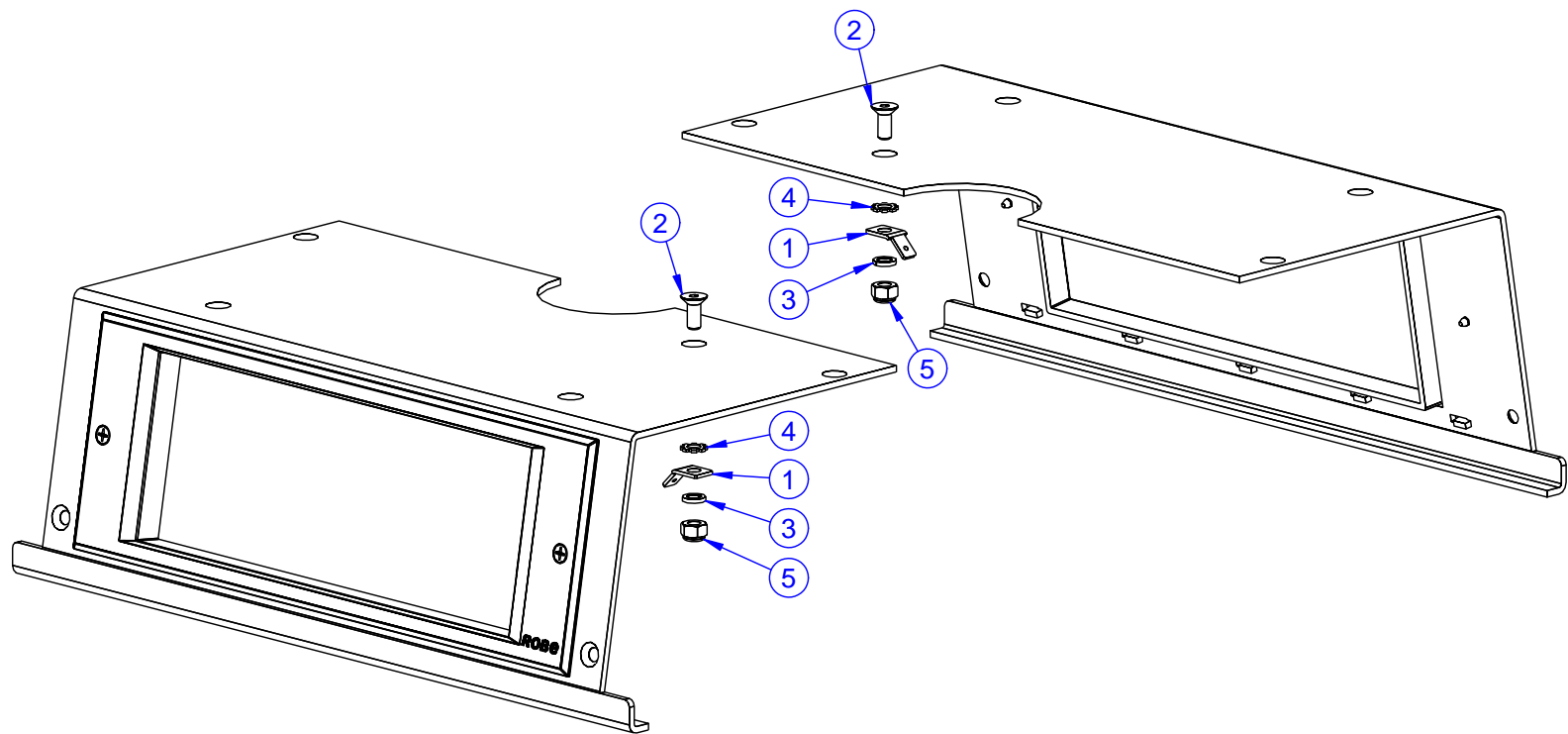
PRODUCT: Robin Pointe		
TITLE: RB2911 - part 4		
DOCUMENT: CIRCUIT DIAGRAM		
VERSION: 1	DATE: 30.04.2013	SHEET: 15 OF 15



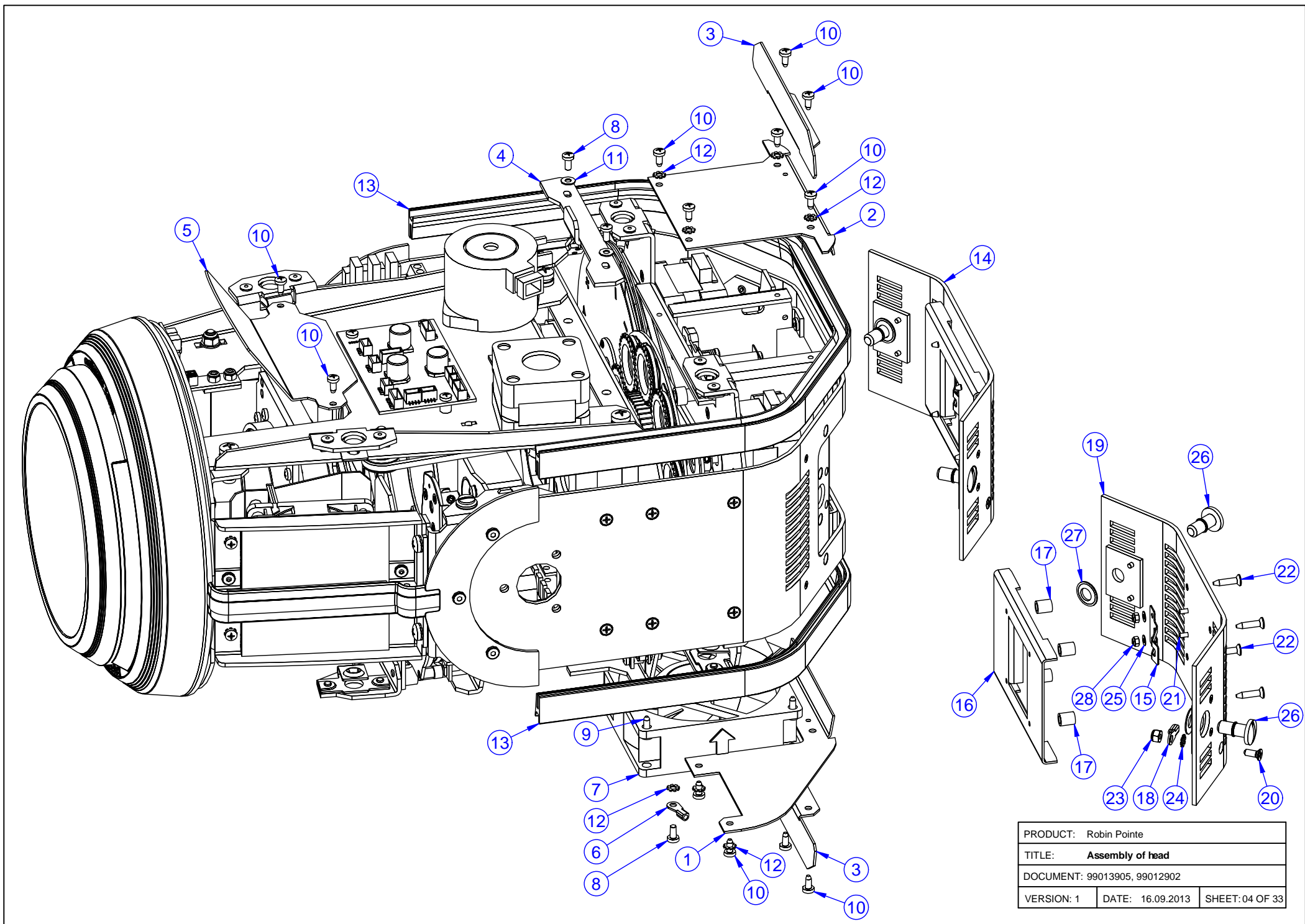
PRODUCT: Robin Pointe		
TITLE: Covers		
DOCUMENT: 99013906		
VERSION: 1	DATE: 25.09.2013	SHEET: 01 OF 33



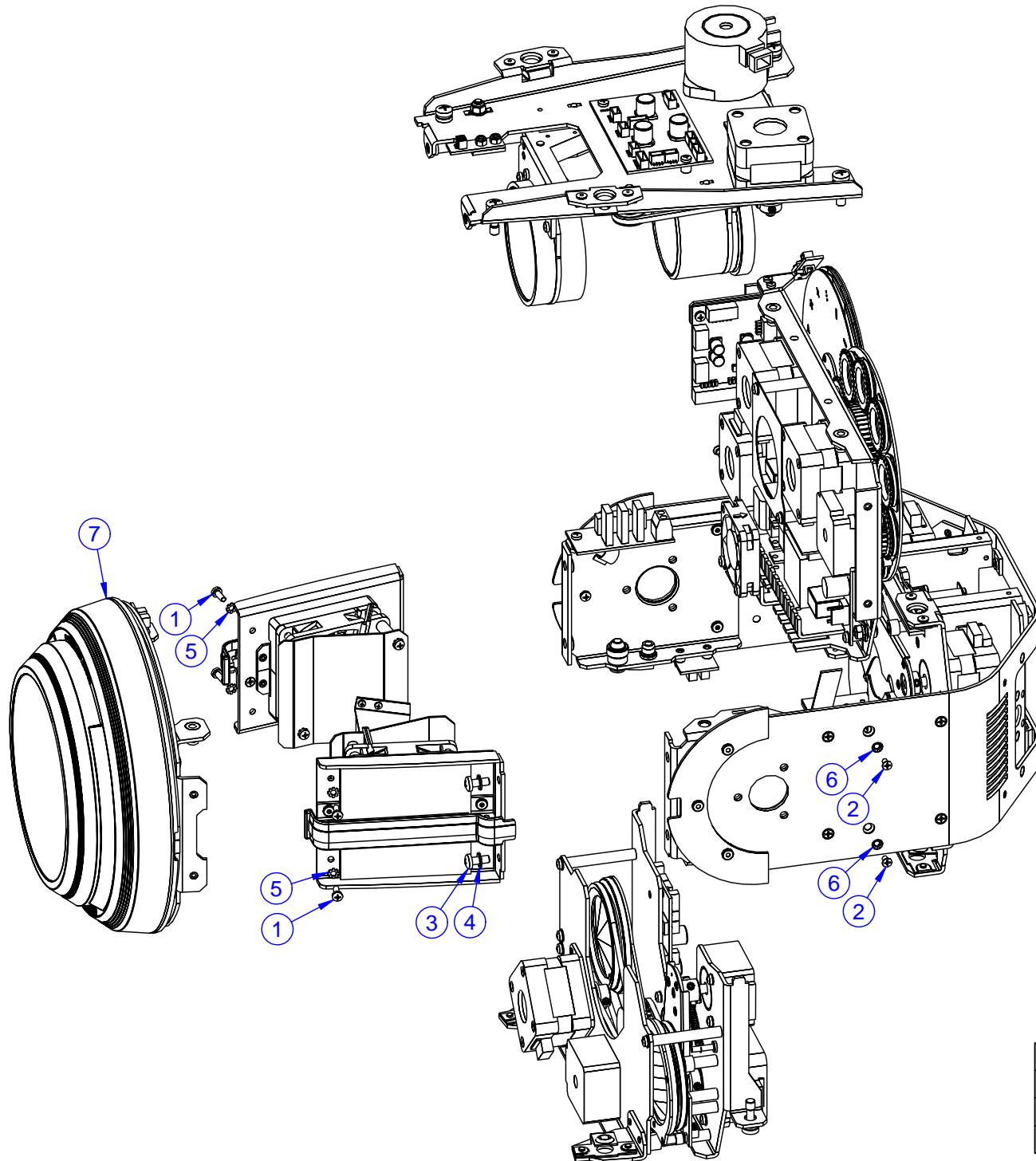
PRODUCT: Robin Pointe		
TITLE: Covers of head		
DOCUMENT: 99013906		
VERSION: 1	DATE: 07.06.2013	SHEET: 02 OF 33



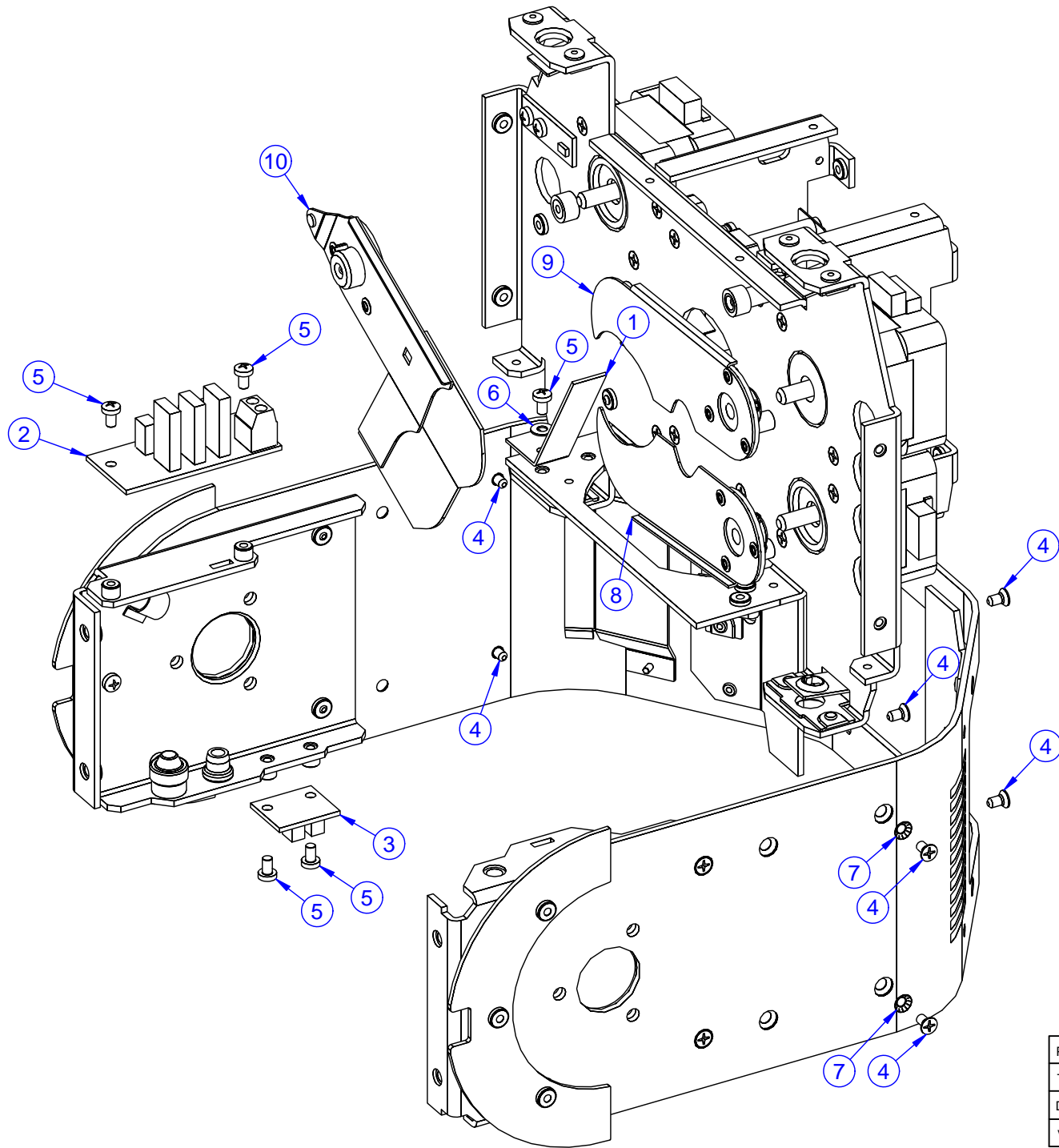
PRODUCT: Robin Pointe		
TITLE: Covers of base		
DOCUMENT: 99013850		
VERSION: 1	DATE: 25.09.2013	SHEET: 03 OF 33



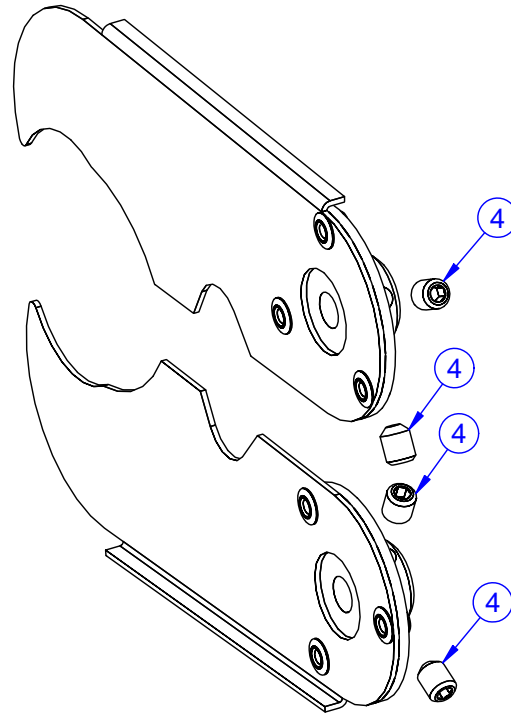
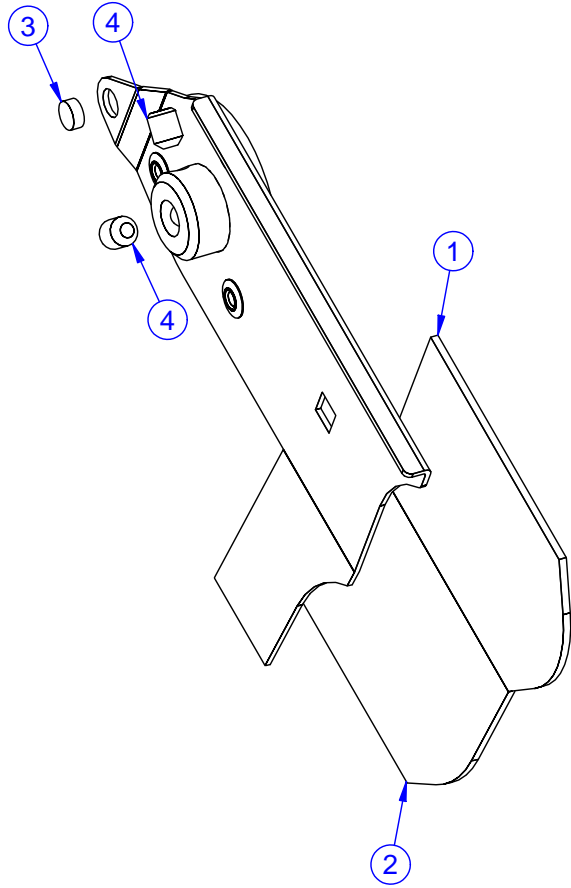
PRODUCT: Robin Pointe		
TITLE: Assembly of head		
DOCUMENT: 99013905, 99012902		
VERSION: 1	DATE: 16.09.2013	SHEET: 04 OF 33



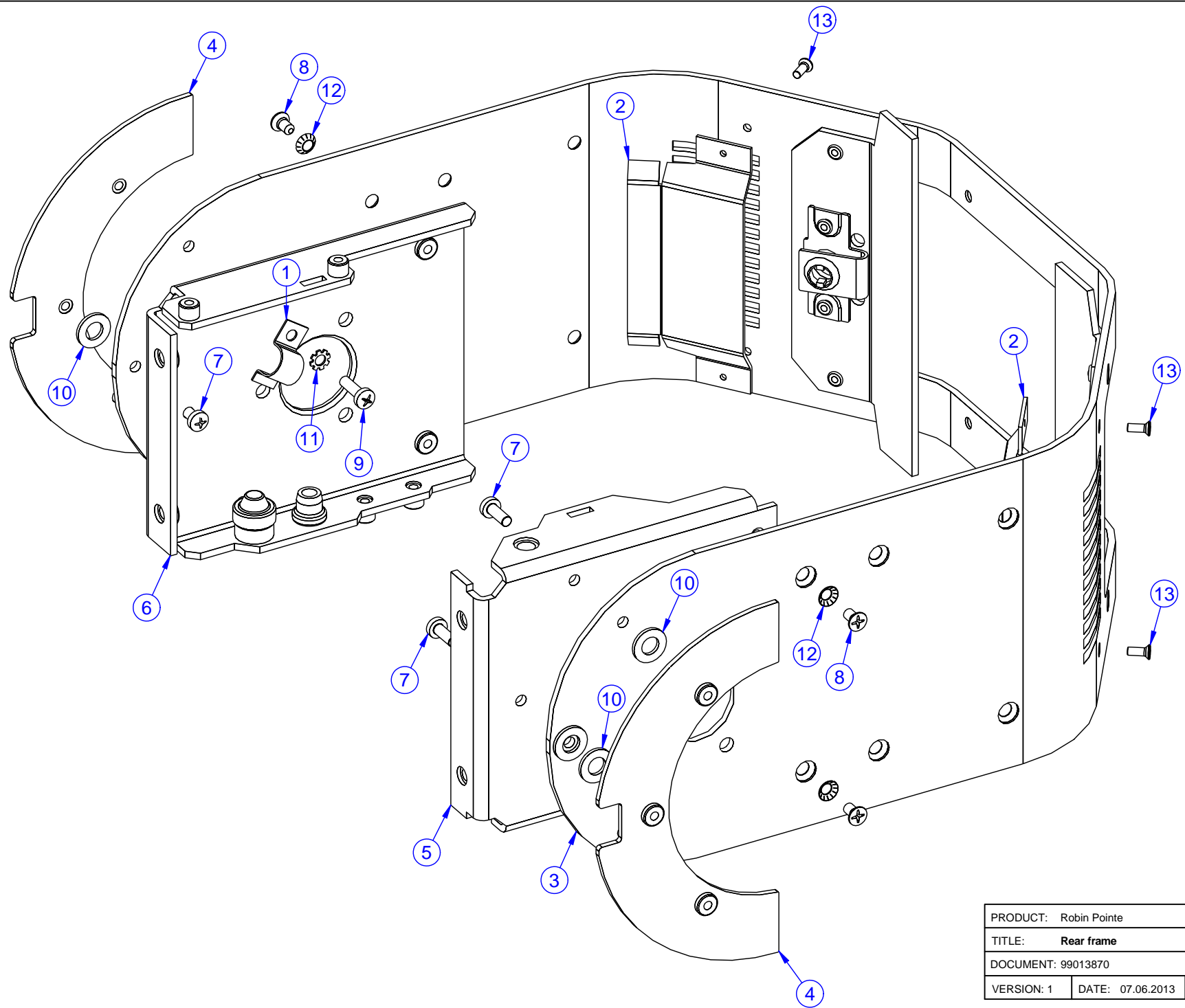
PRODUCT: Robin Pointe		
TITLE: Head - exploded		
DOCUMENT: 99013905		
VERSION: 1	DATE: 07.06.2013	SHEET: 05 OF 33



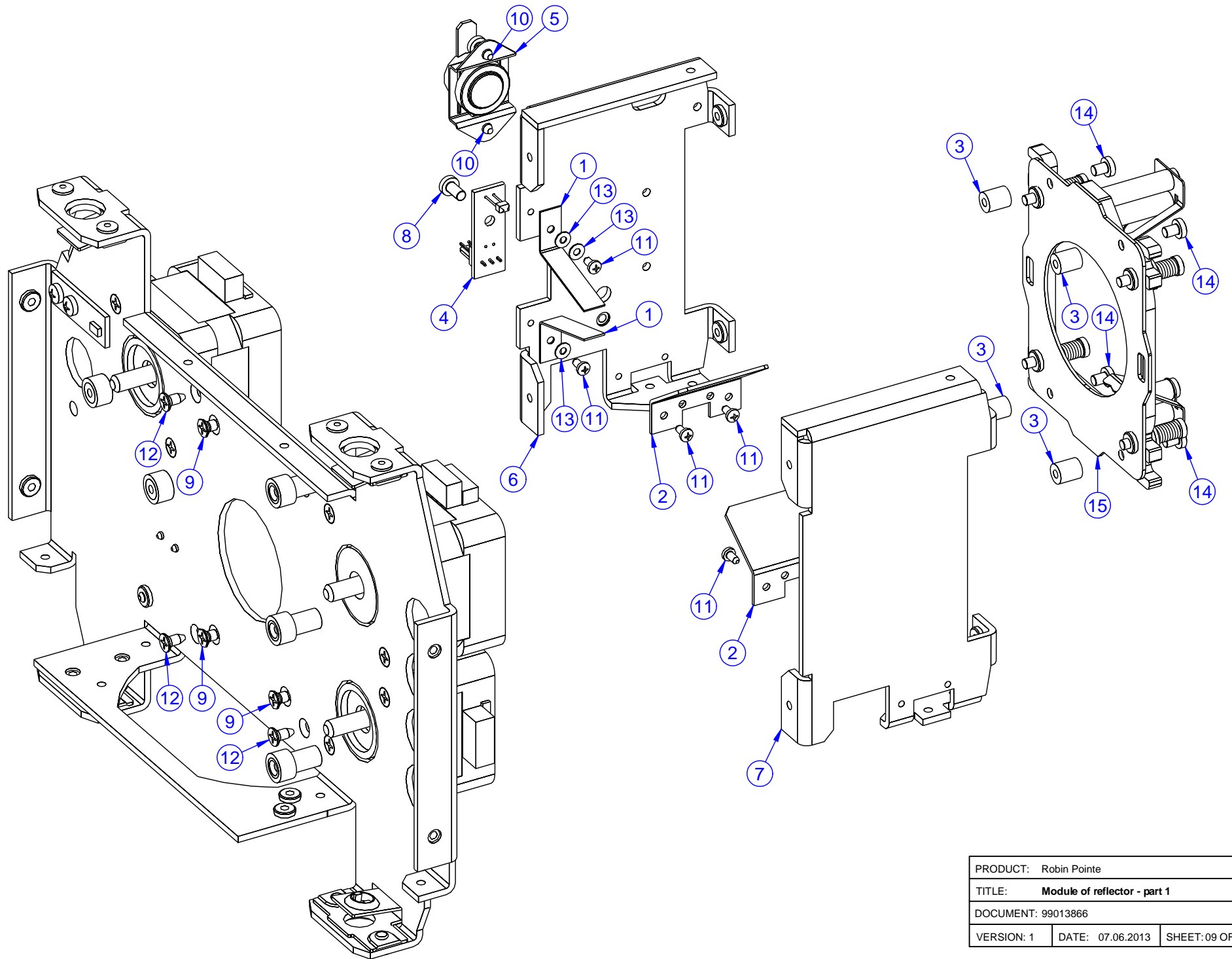
PRODUCT: Robin Pointe		
TITLE: Gripping of module of reflector		
DOCUMENT: 99013870		
VERSION: 1	DATE: 07.06.2013	SHEET: 06 OF 33



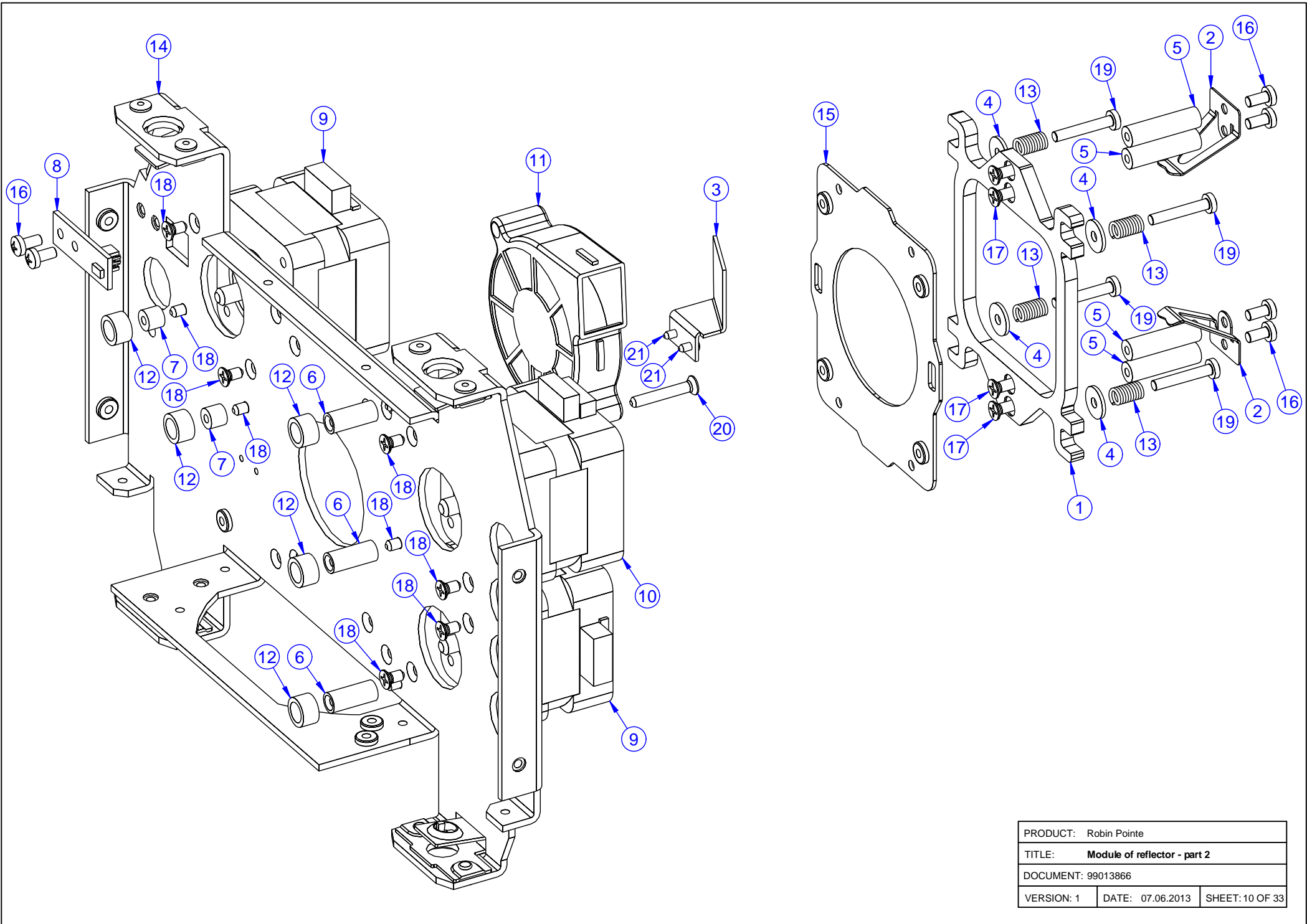
PRODUCT: Robin Pointe		
TITLE: Lamelle - exploded		
DOCUMENT: 99013870		
VERSION: 1	DATE: 25.09.2013	SHEET: 07 OF 33



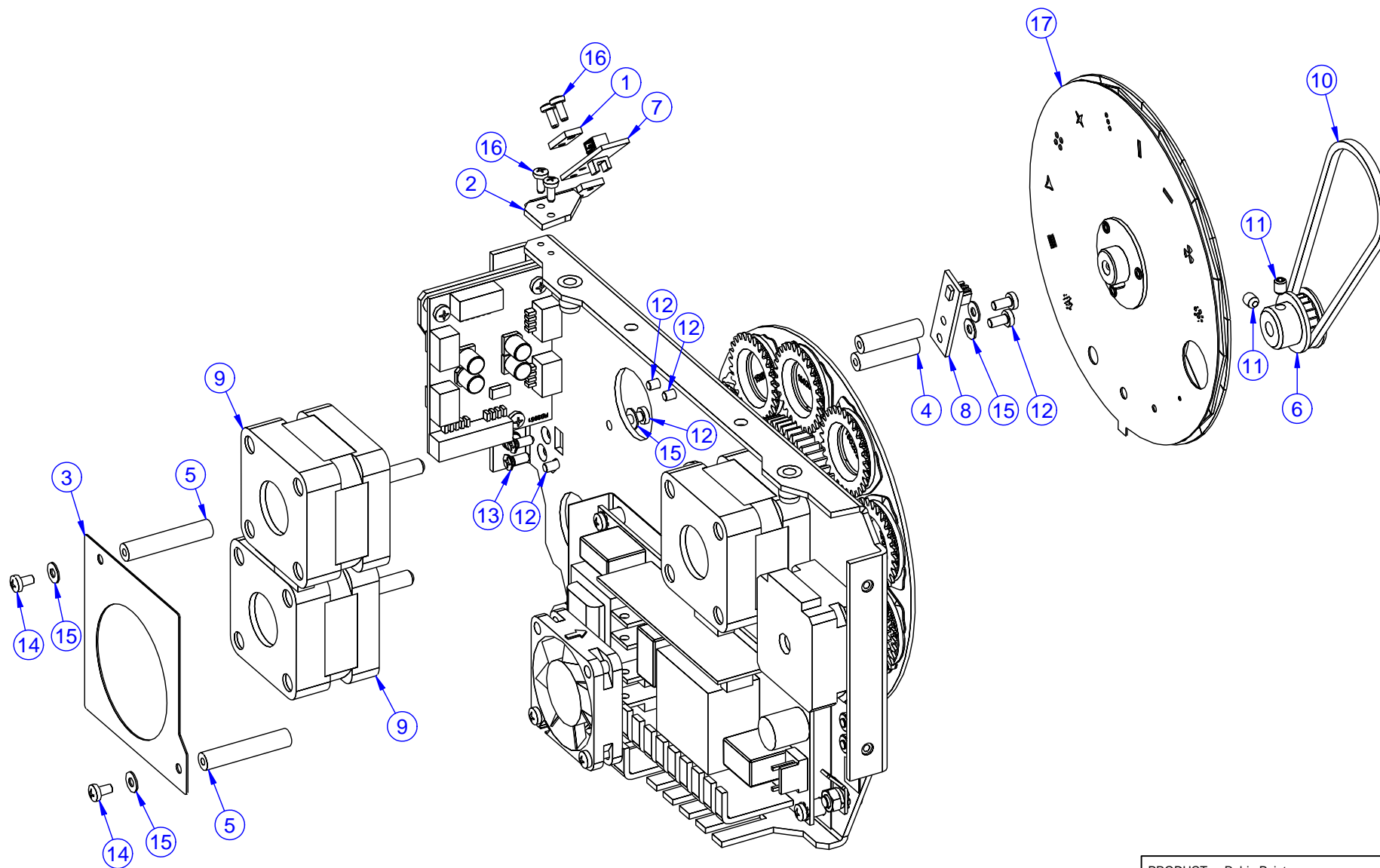
PRODUCT: Robin Pointe		
TITLE: Rear frame		
DOCUMENT: 99013870		
VERSION: 1	DATE: 07.06.2013	SHEET: 08 OF 33



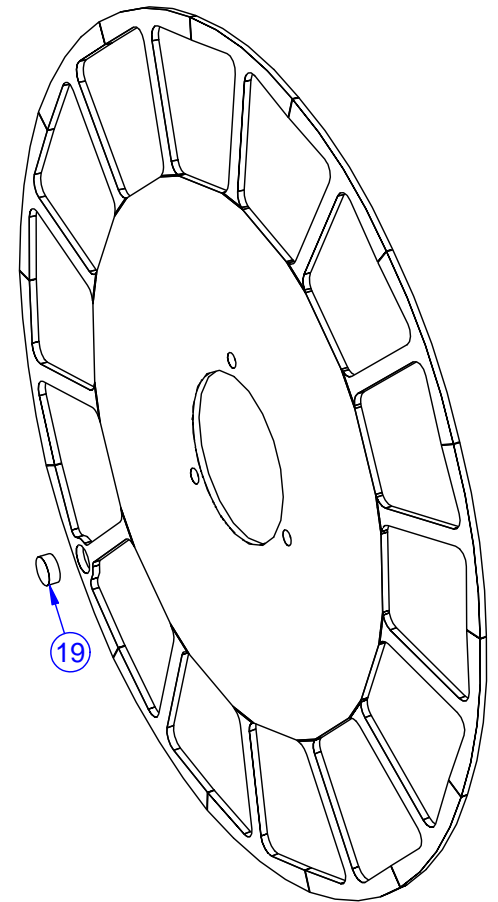
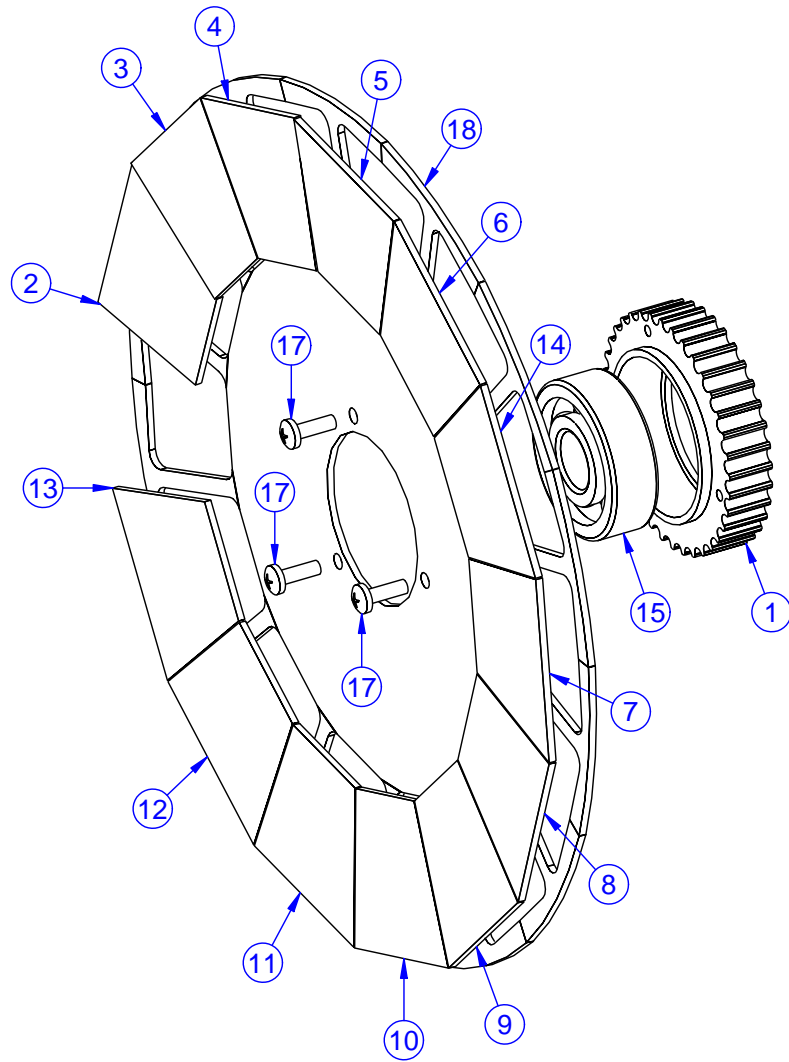
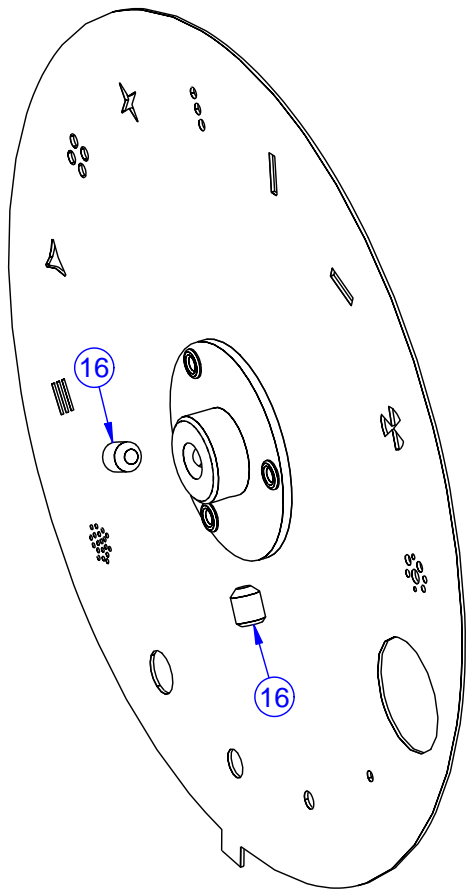
PRODUCT: Robin Pointe		
TITLE: Module of reflector - part 1		
DOCUMENT: 99013866		
VERSION: 1	DATE: 07.06.2013	SHEET: 09 OF 33



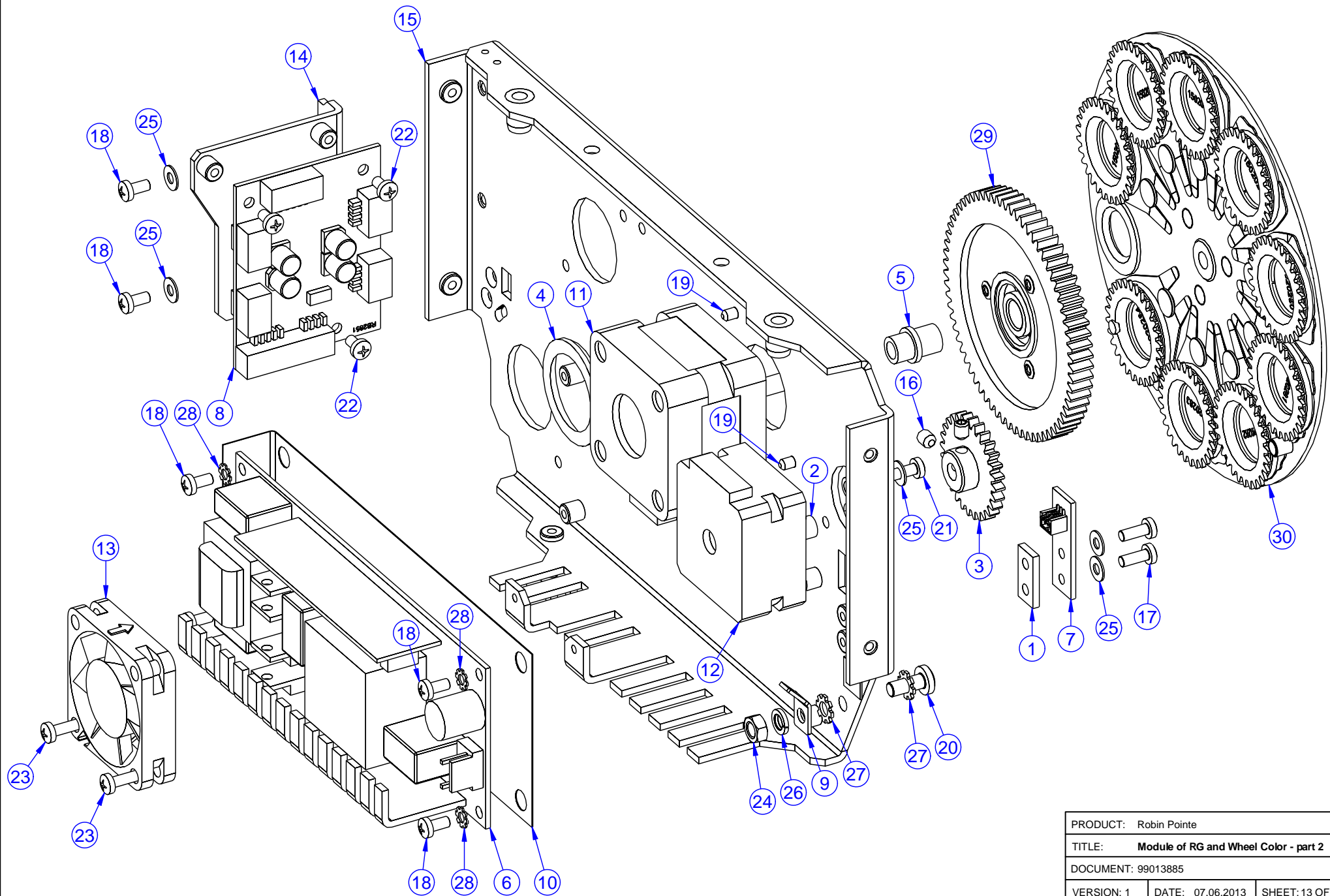
PRODUCT: Robin Pointe		
TITLE: Module of reflector - part 2		
DOCUMENT: 99013866		
VERSION: 1	DATE: 07.06.2013	SHEET: 10 OF 33



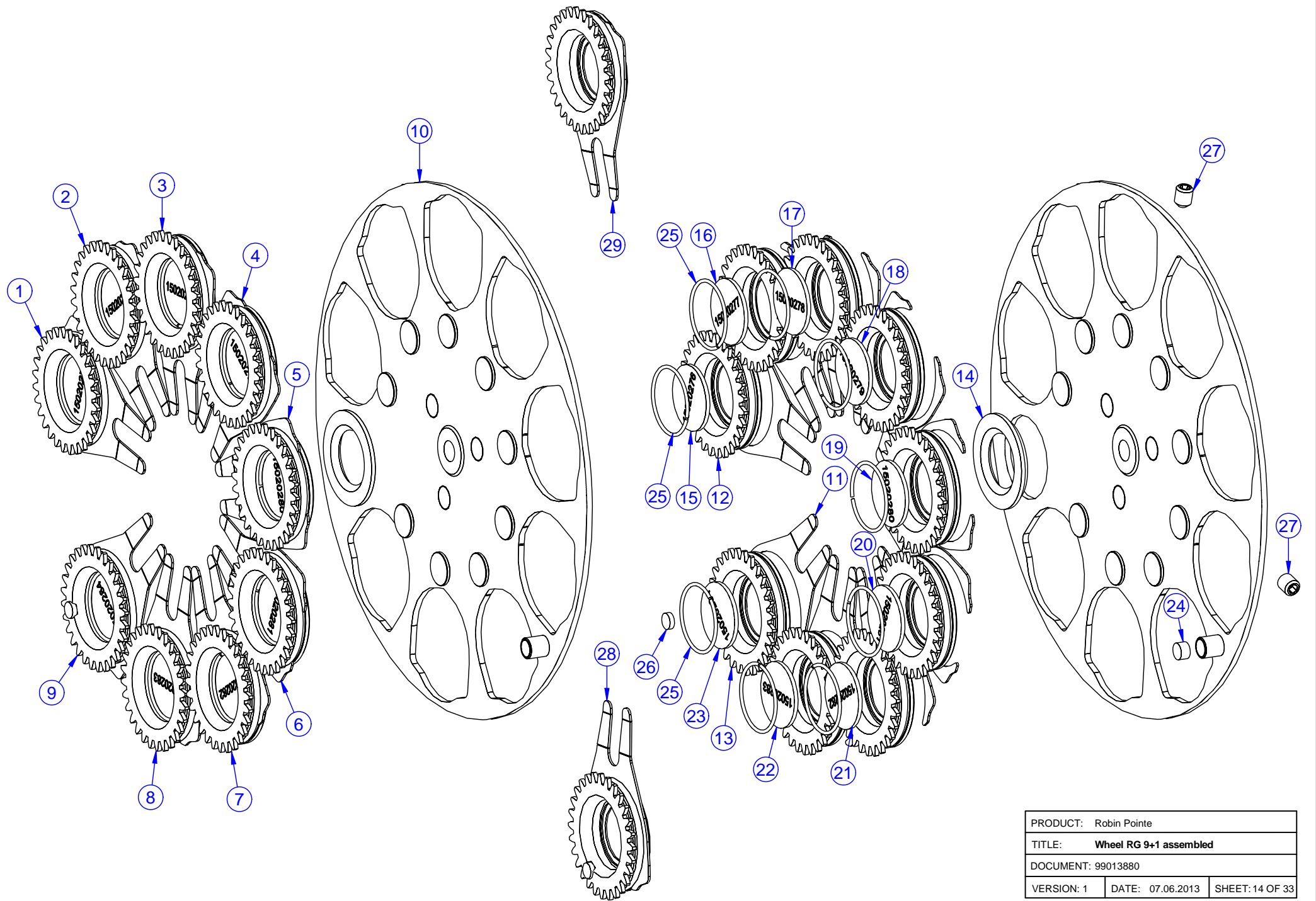
PRODUCT: Robin Pointe		
TITLE: Module of RG and Wheel Color - part 1		
DOCUMENT: 99013885		
VERSION: 1	DATE: 16.09.2013	SHEET: 11 OF 33



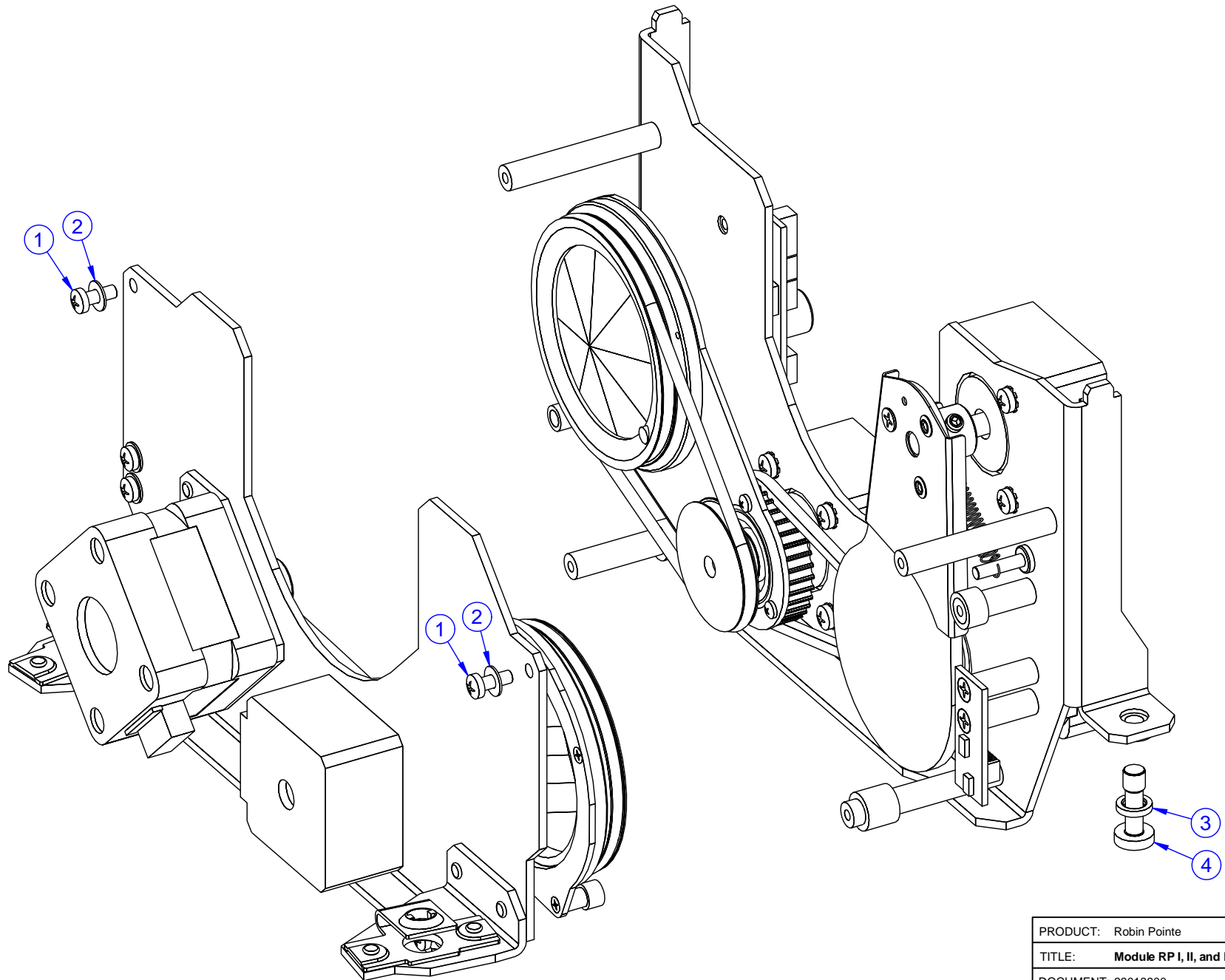
PRODUCT: Robin Pointe		
TITLE: Wheel Color and Gobo FG - exploded		
DOCUMENT: 99013885		
VERSION: 1	DATE: 07.06.2013	SHEET: 12 OF 33



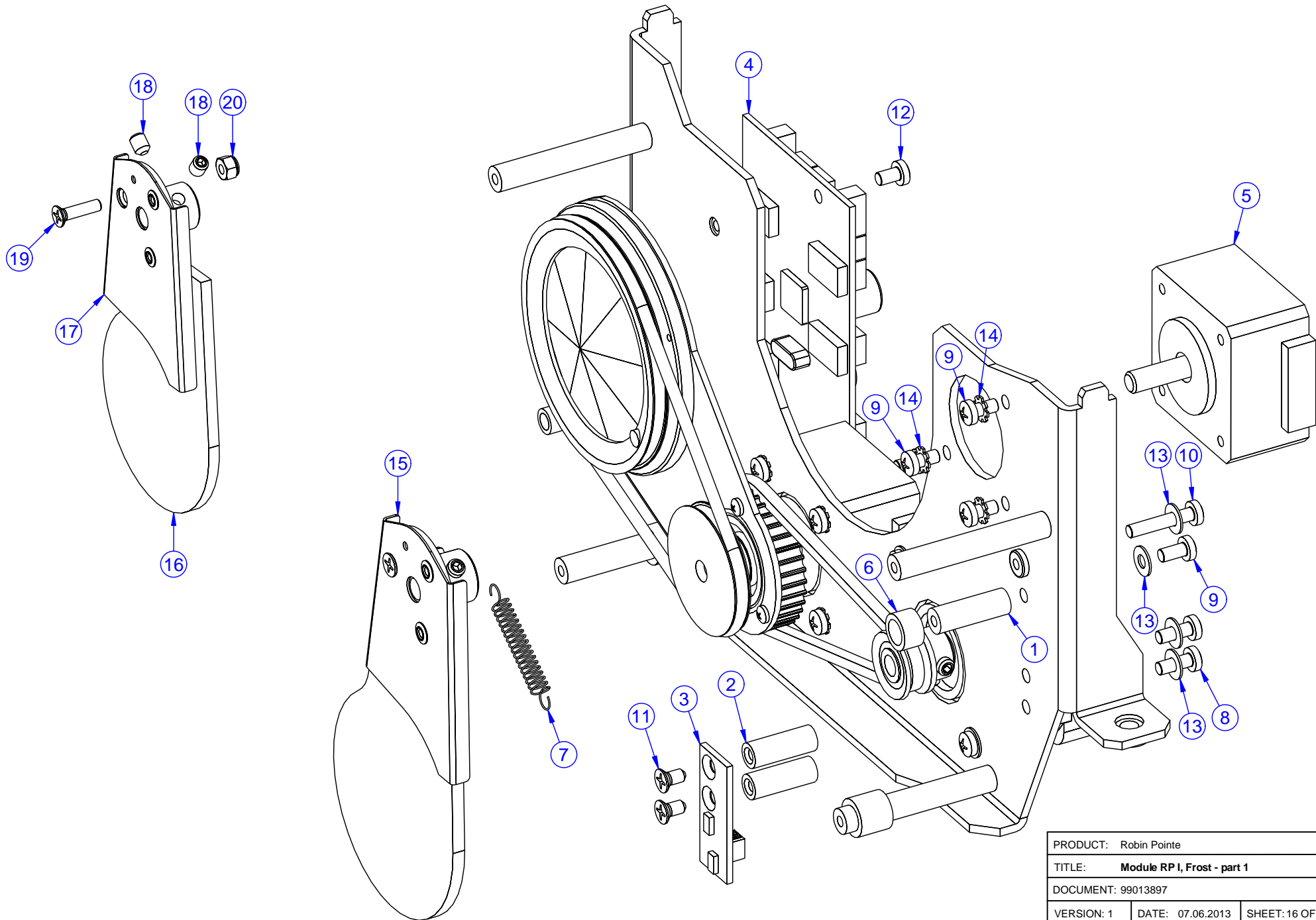
PRODUCT: Robin Pointe		
TITLE: Module of RG and Wheel Color - part 2		
DOCUMENT: 99013885		
VERSION: 1	DATE: 07.06.2013	SHEET: 13 OF 33



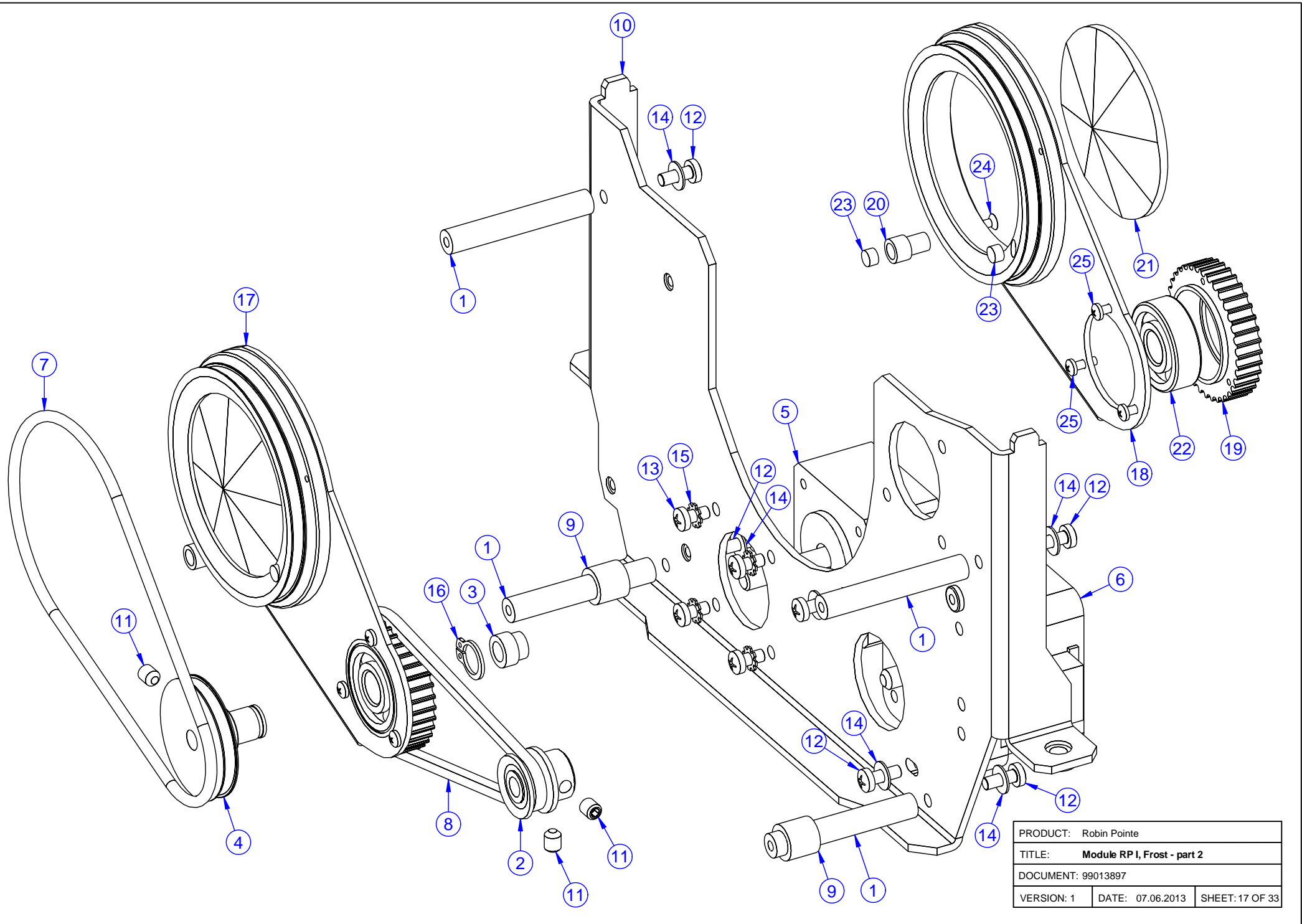
PRODUCT: Robin Pointe		
TITLE: Wheel RG 9+1 assembled		
DOCUMENT: 99013880		
VERSION: 1	DATE: 07.06.2013	SHEET: 14 OF 33



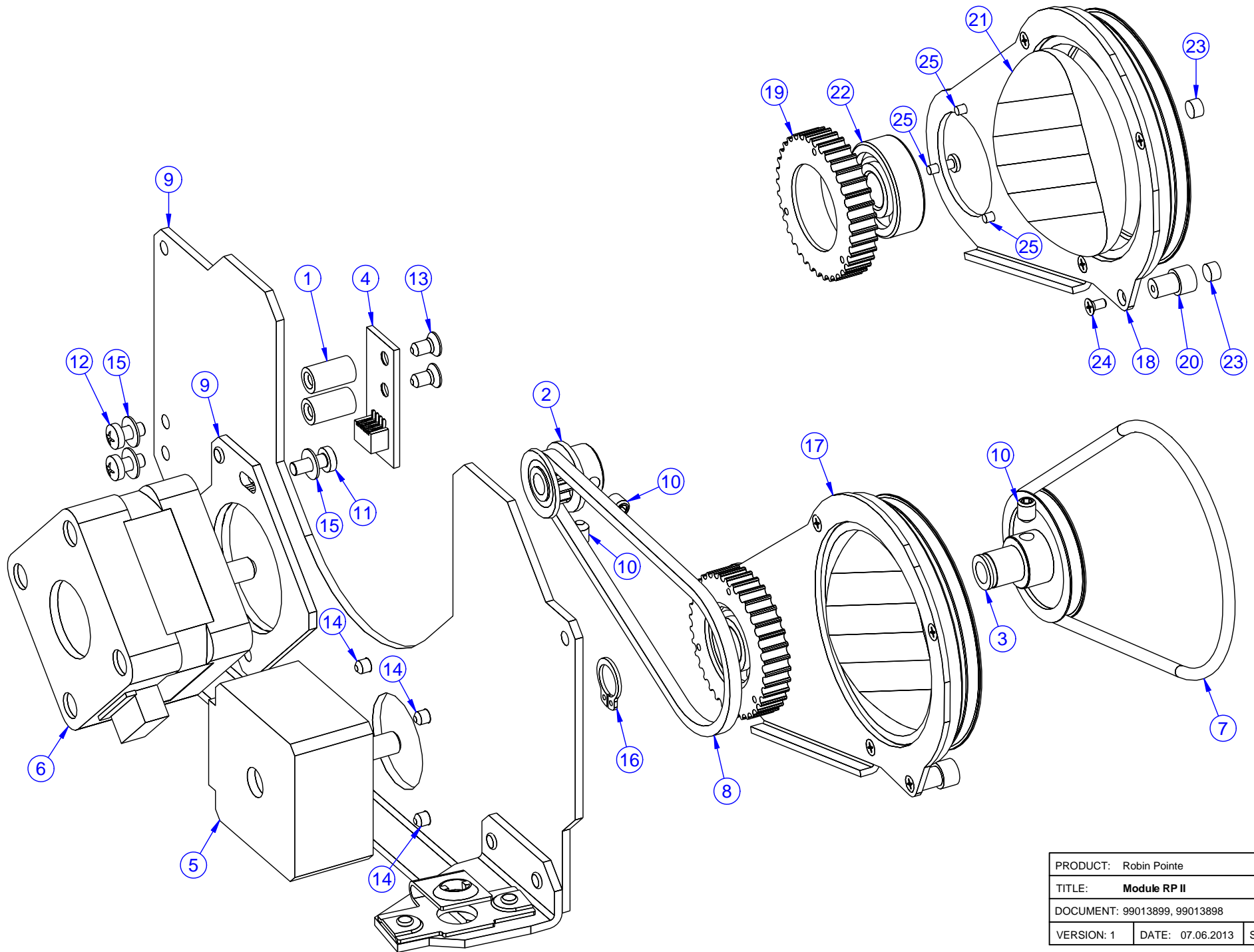
PRODUCT: Robin Pointe		
TITLE: Module RP I, II, and Frost		
DOCUMENT: 99013900		
VERSION: 1	DATE: 07.06.2013	SHEET: 15 OF 33



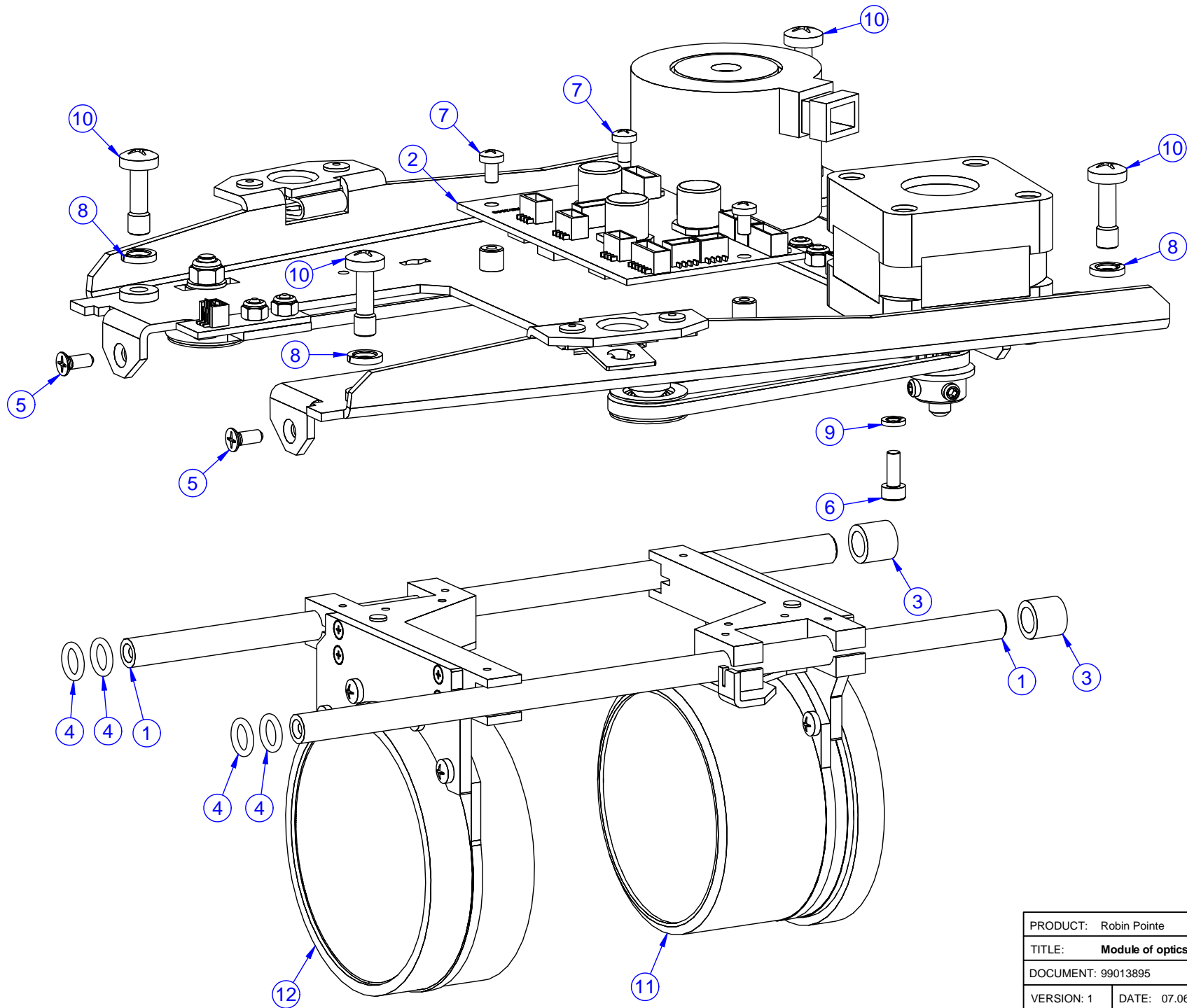
PRODUCT: Robin Pointe		
TITLE: Module RP I, Frost - part 1		
DOCUMENT: 99013897		
VERSION: 1	DATE: 07.06.2013	SHEET: 16 OF 33



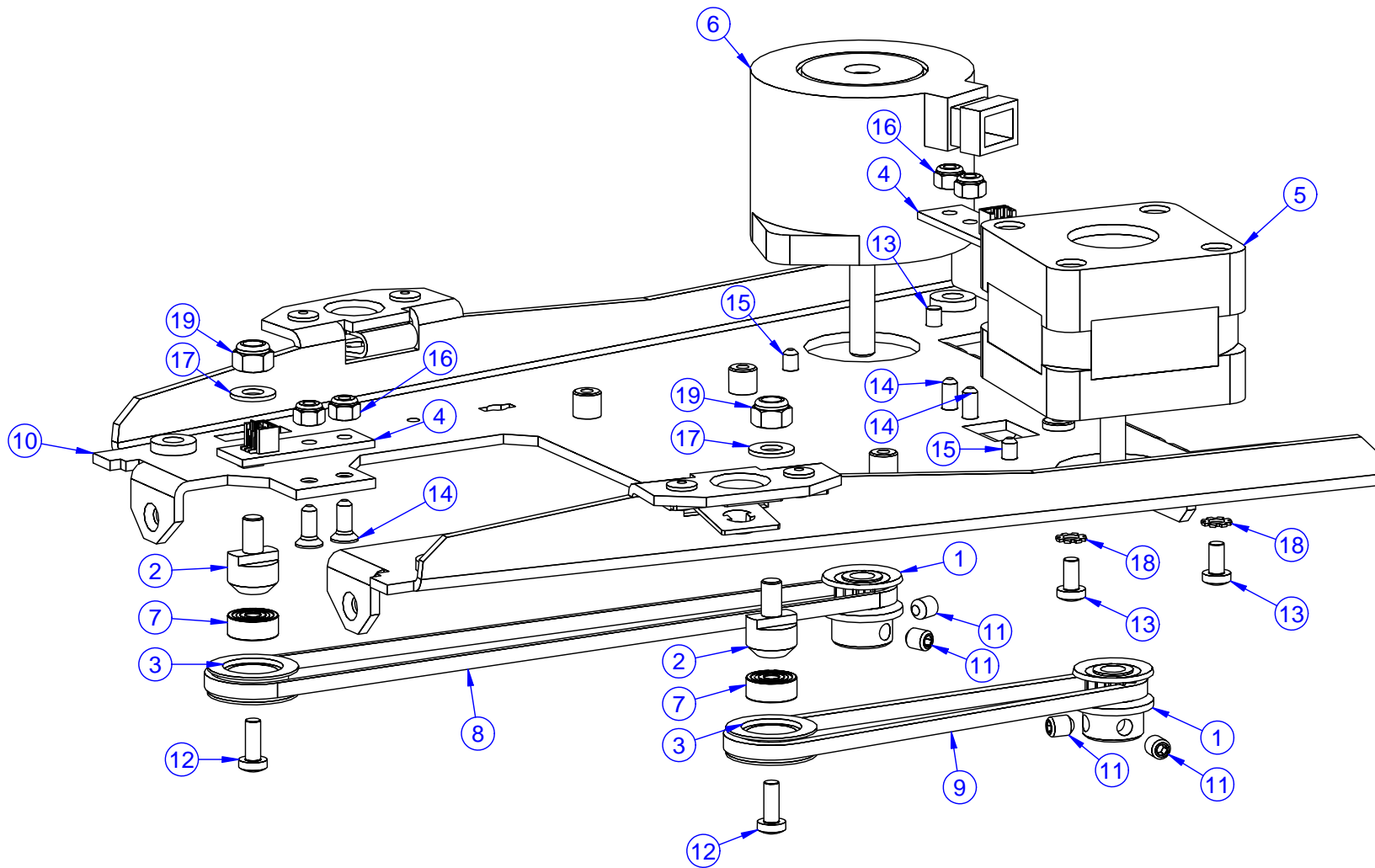
PRODUCT: Robin Pointe		
TITLE: Module RP I, Frost - part 2		
DOCUMENT: 99013897		
VERSION: 1	DATE: 07.06.2013	SHEET: 17 OF 33



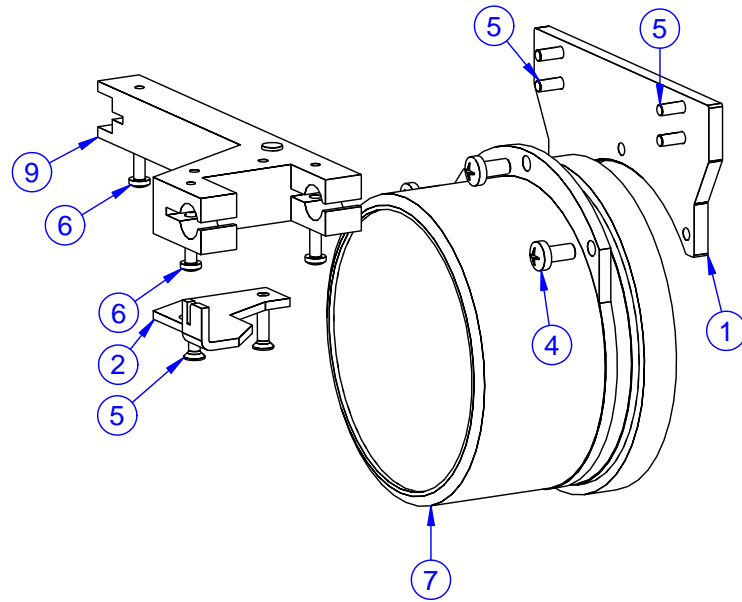
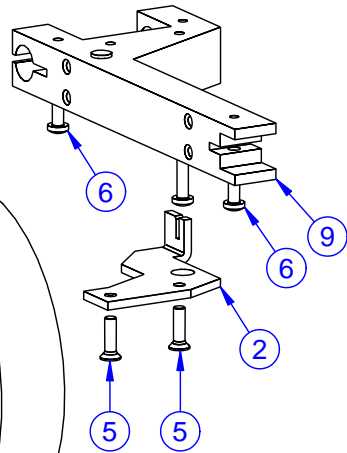
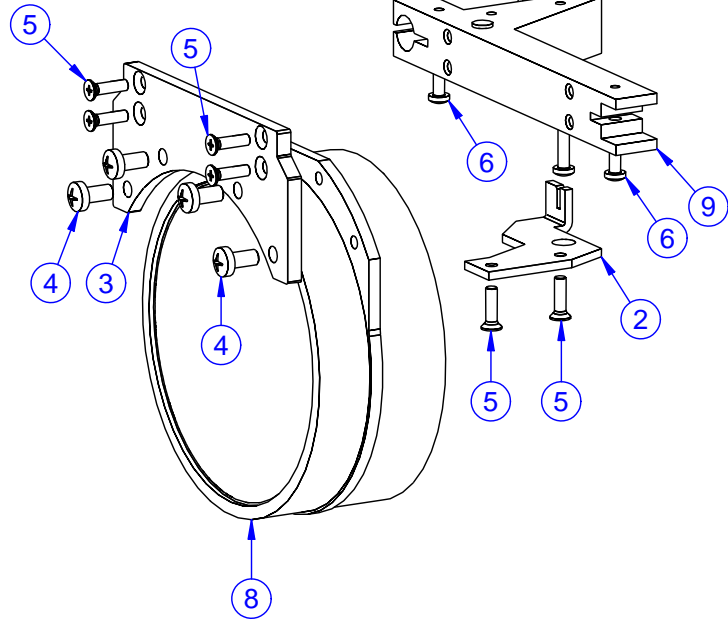
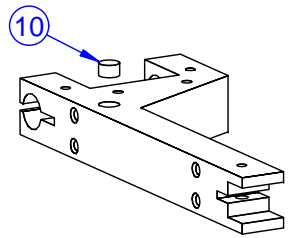
PRODUCT: Robin Pointe		
TITLE: Module RP II		
DOCUMENT: 99013899, 99013898		
VERSION: 1	DATE: 07.06.2013	SHEET: 18 OF 33



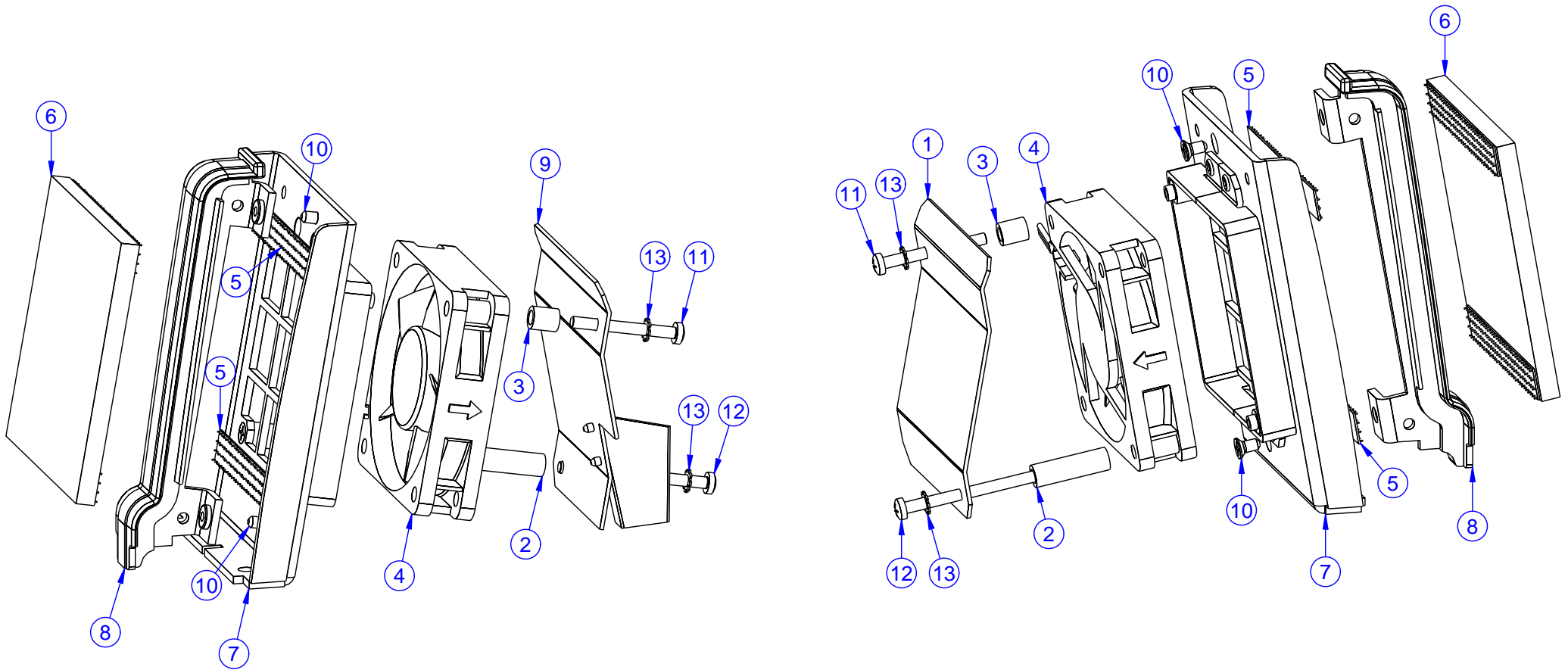
PRODUCT: Robin Pointe		
TITLE: Module of optics		
DOCUMENT: 99013895		
VERSION: 1	DATE: 07.06.2013	SHEET: 19 OF 33



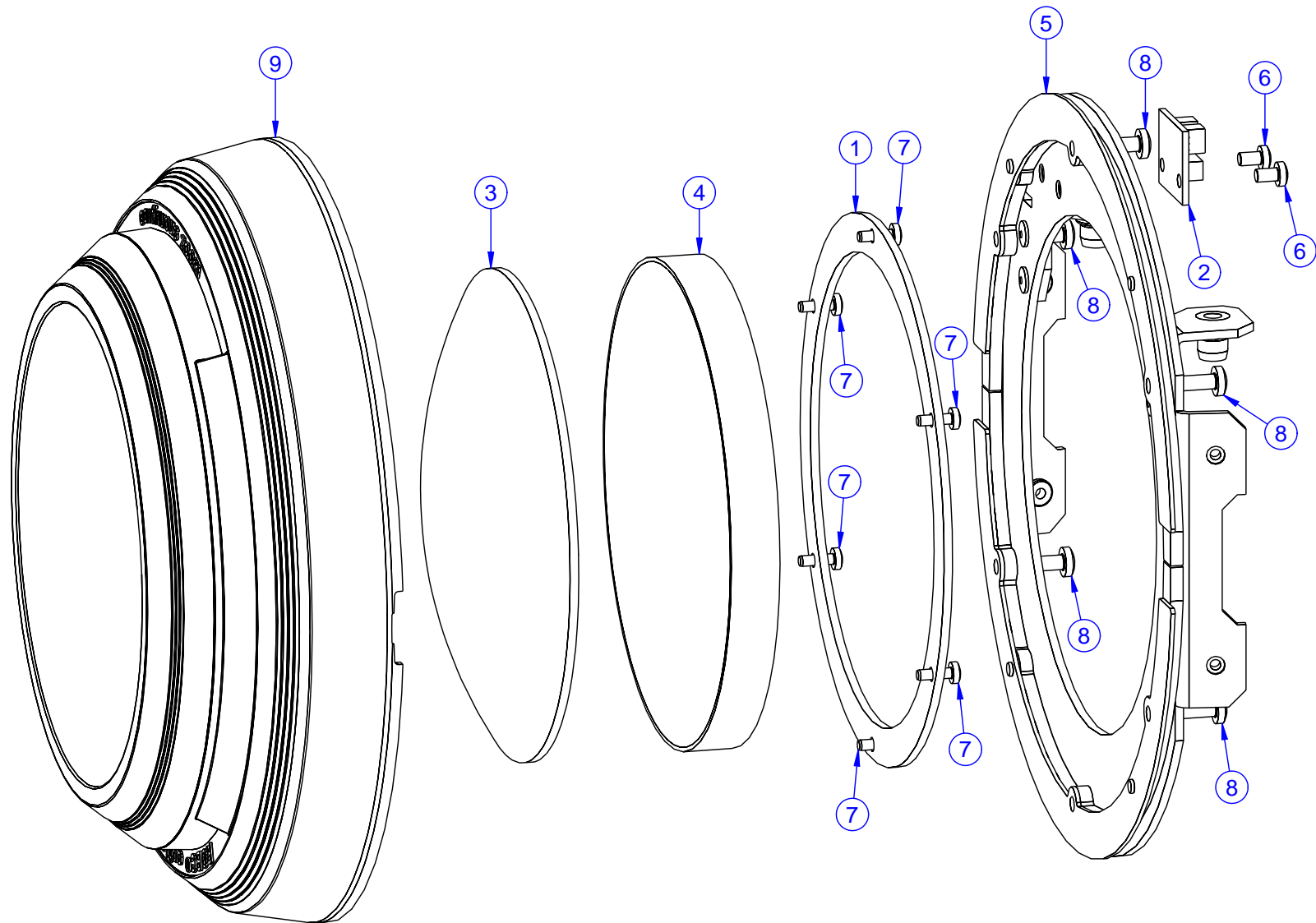
PRODUCT: Robin Pointe		
TITLE: Holder of optics		
DOCUMENT: 99013895		
VERSION: 1	DATE: 16.09.2013	SHEET: 20 OF 33



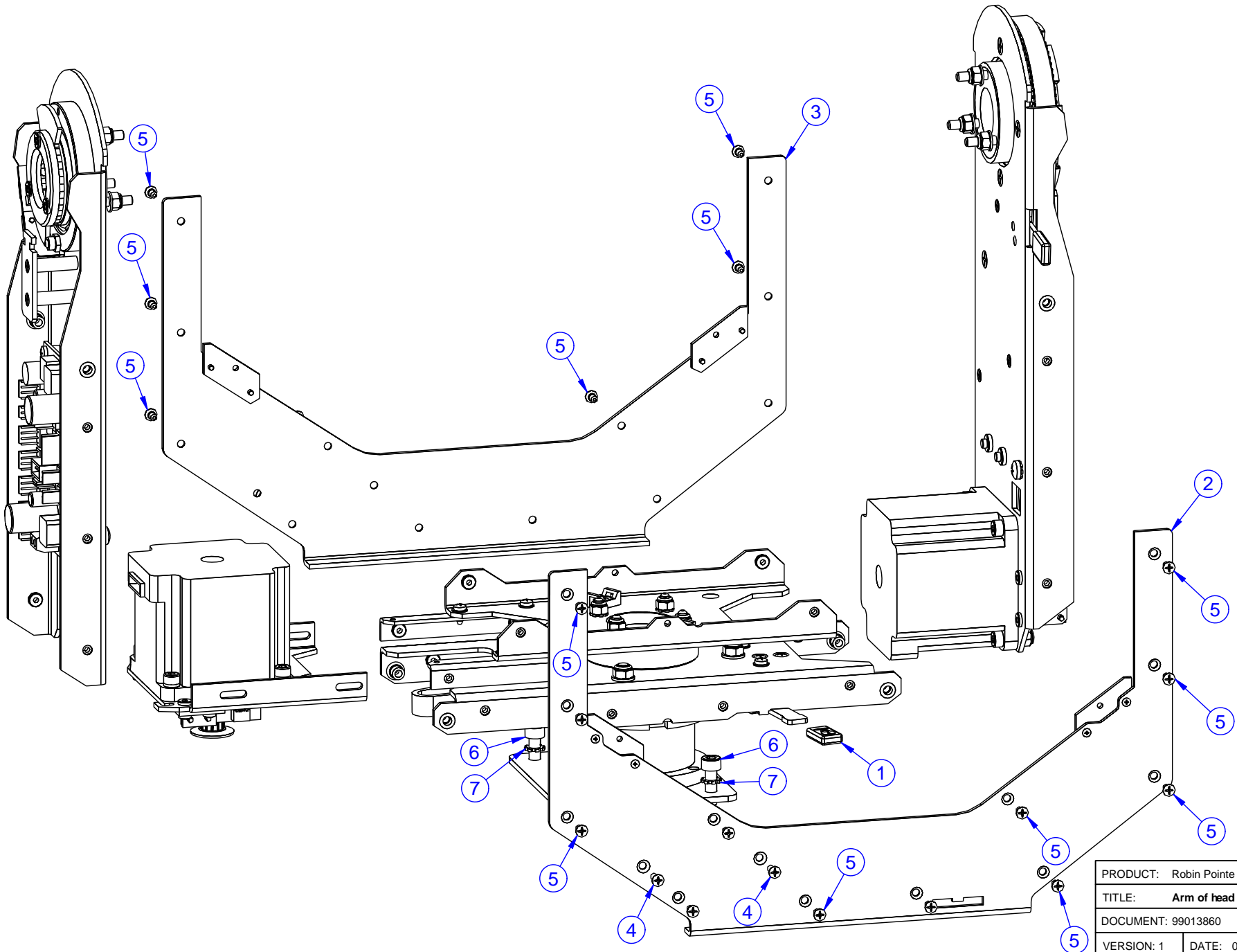
PRODUCT: Robin Pointe		
TITLE: Zoom and Focus - exploded		
DOCUMENT: 99013905		
VERSION: 1	DATE: 16.09.2013	SHEET: 21 OF 33



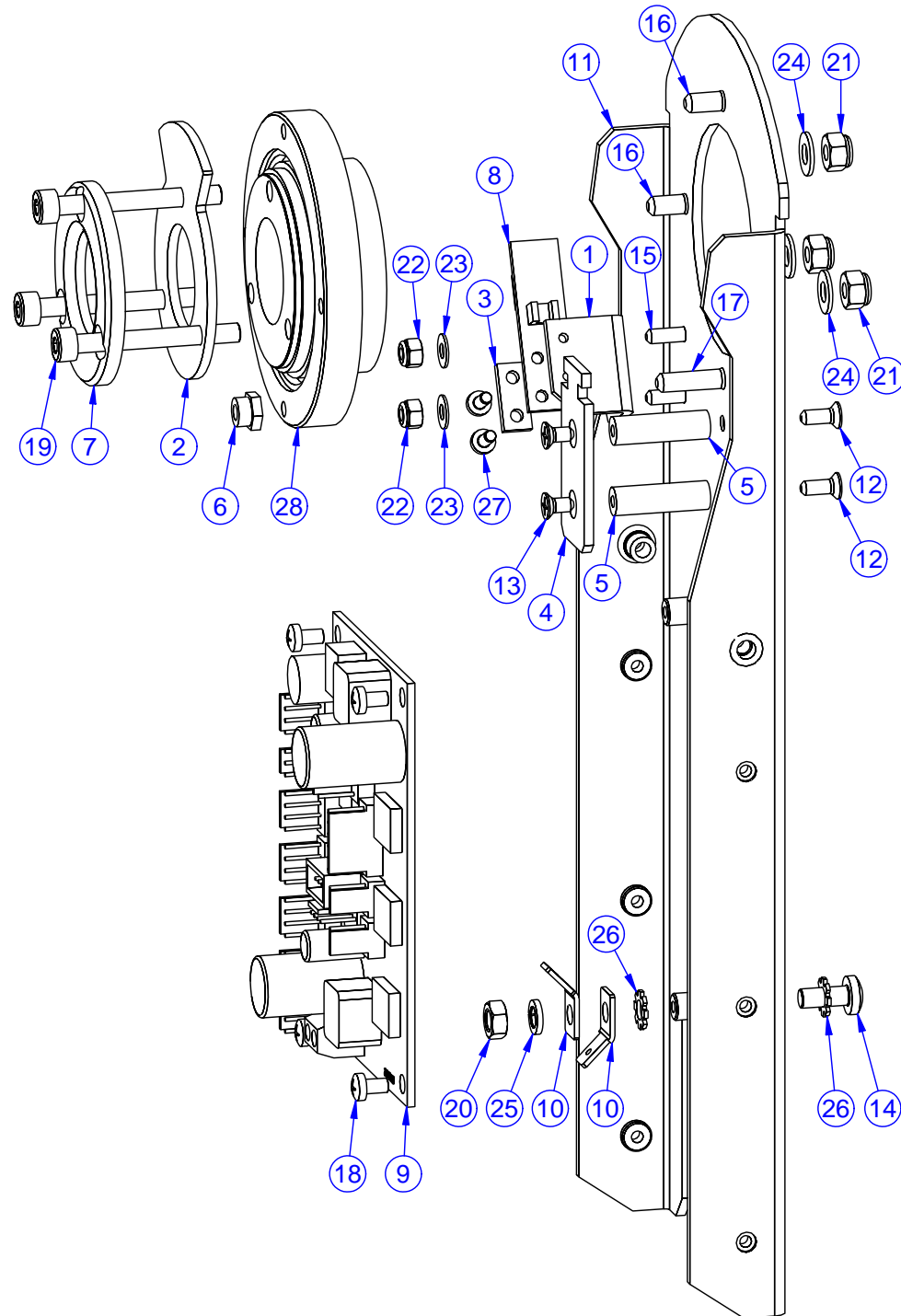
PRODUCT: Robin Pointe		
TITLE: Brace with rubber H profile and fans		
DOCUMENT: 99013905		
VERSION: 1	DATE: 07.06.2013	SHEET: 22 OF 33



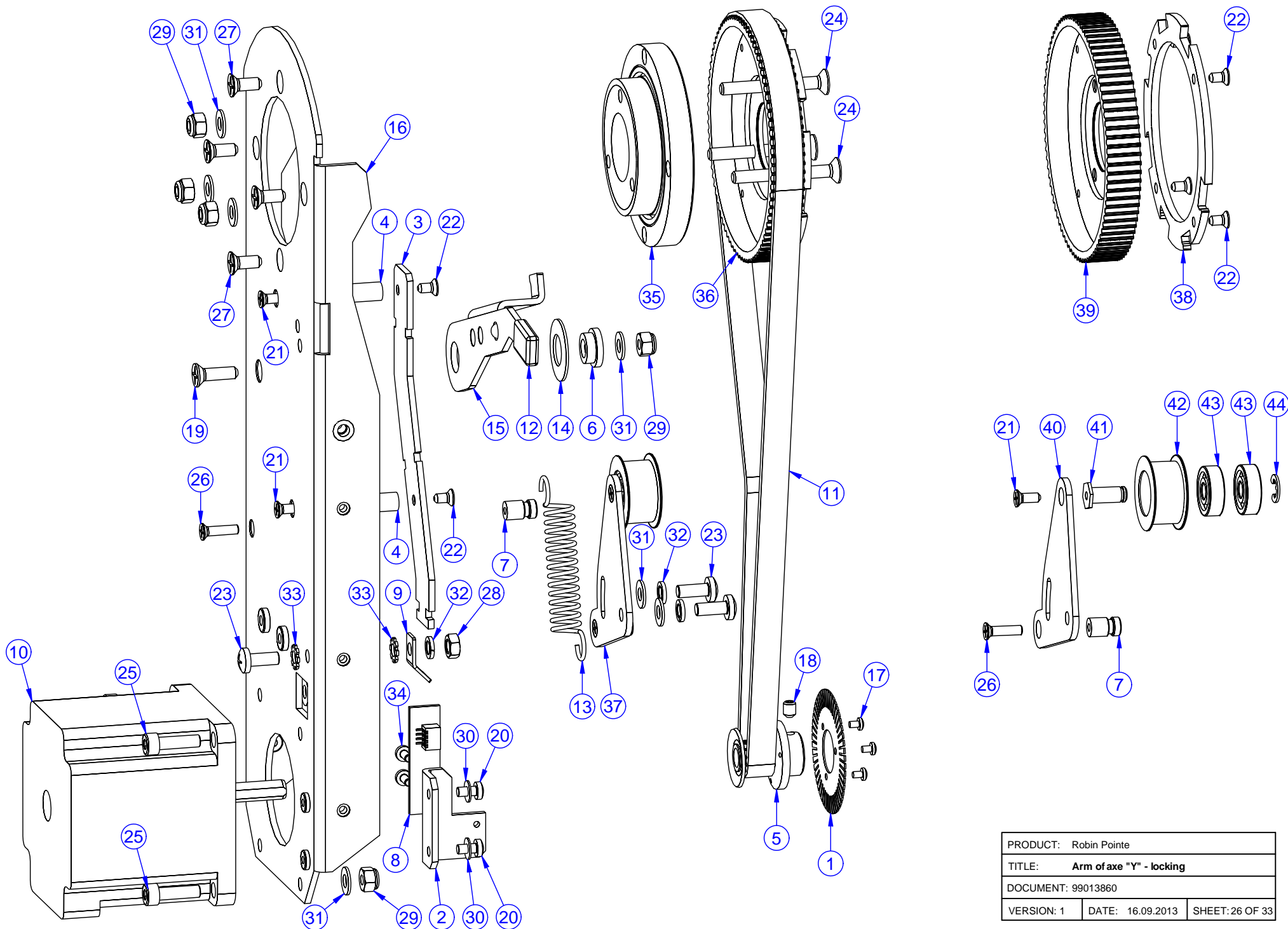
PRODUCT: Robin Pointe		
TITLE: Module of objective		
DOCUMENT: 99013888		
VERSION: 1	DATE: 07.06.2013	SHEET: 23 OF 33



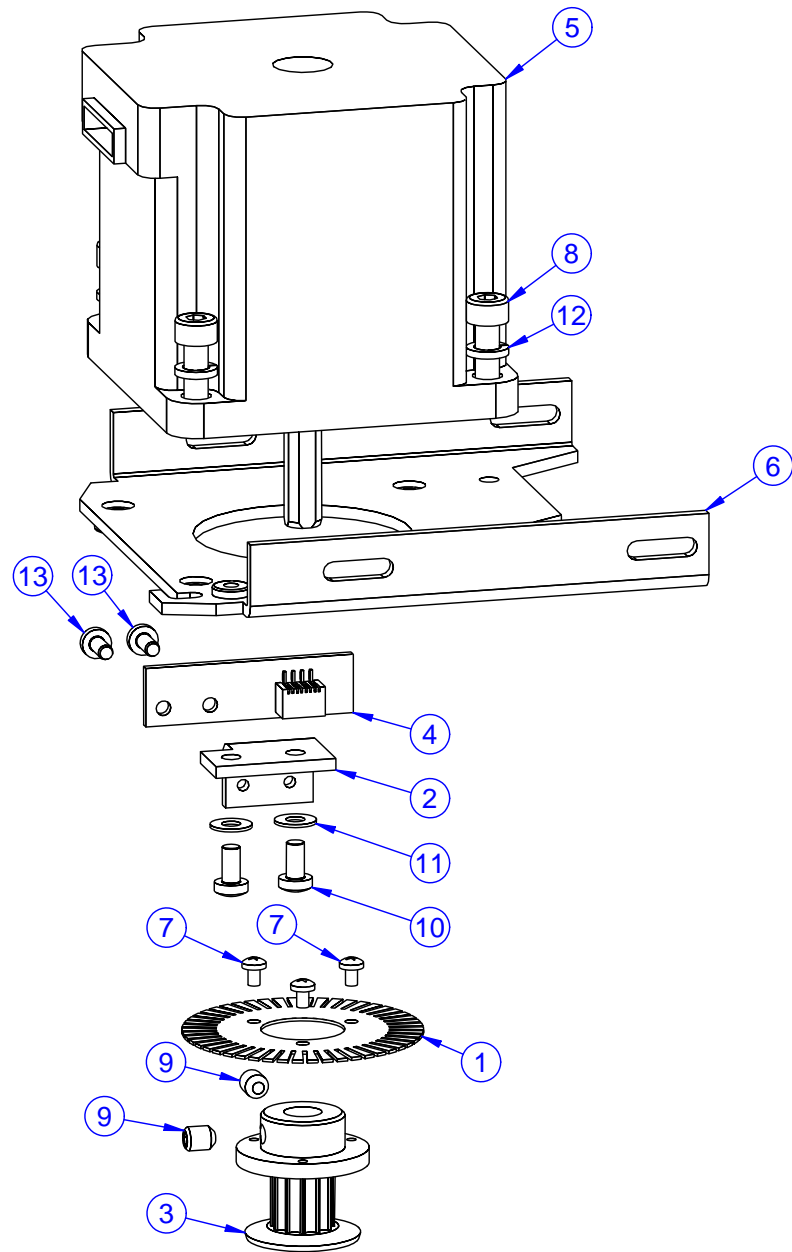
PRODUCT: Robin Pointe		
TITLE: Arm of head		
DOCUMENT: 99013860		
VERSION: 1	DATE: 07.06.2013	SHEET: 24 OF 33



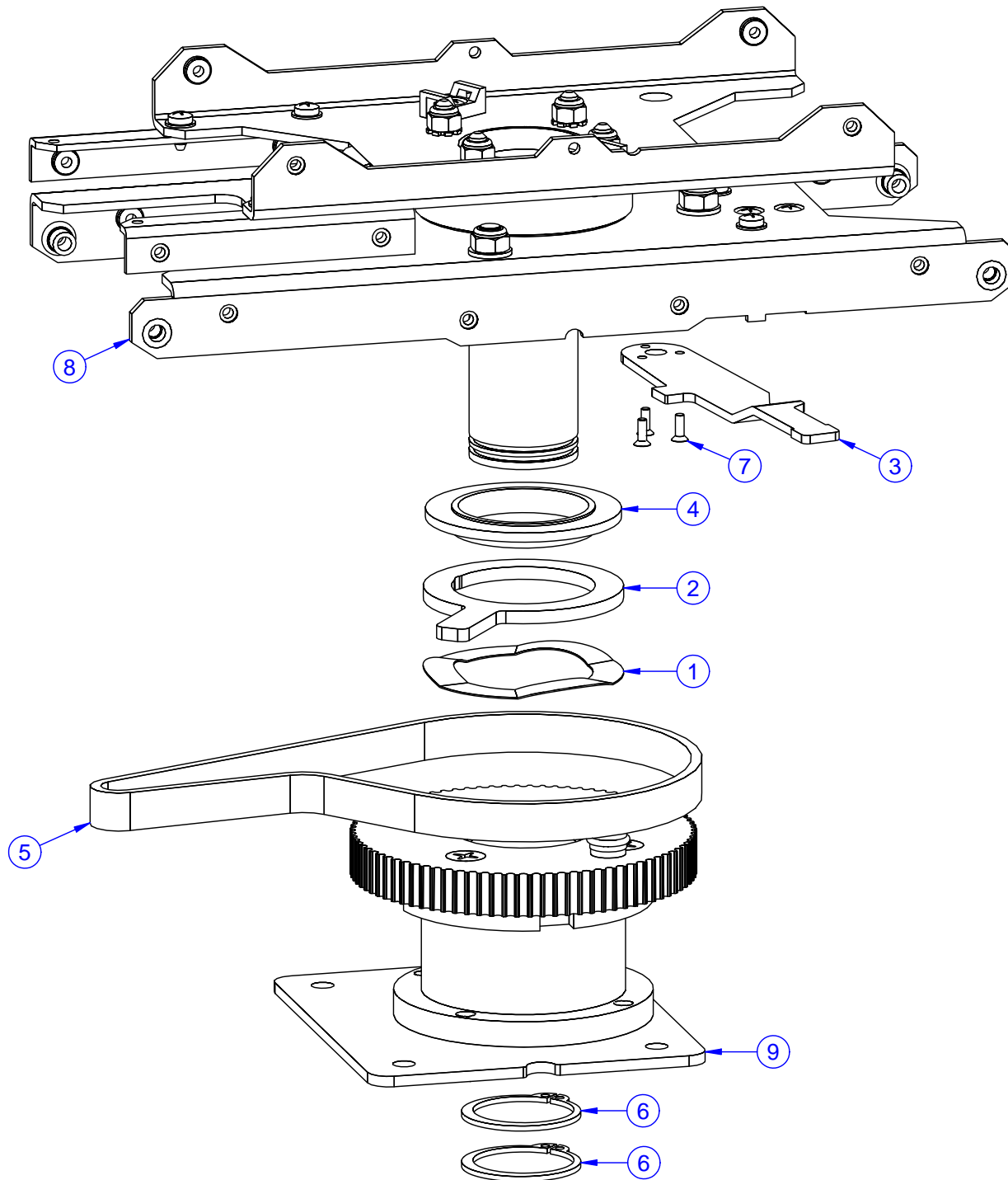
PRODUCT: Robin Pointe		
TITLE: Arm of axe "Y" - switch		
DOCUMENT: 99013860		
VERSION: 1	DATE: 07.06.2013	SHEET: 25 OF 33



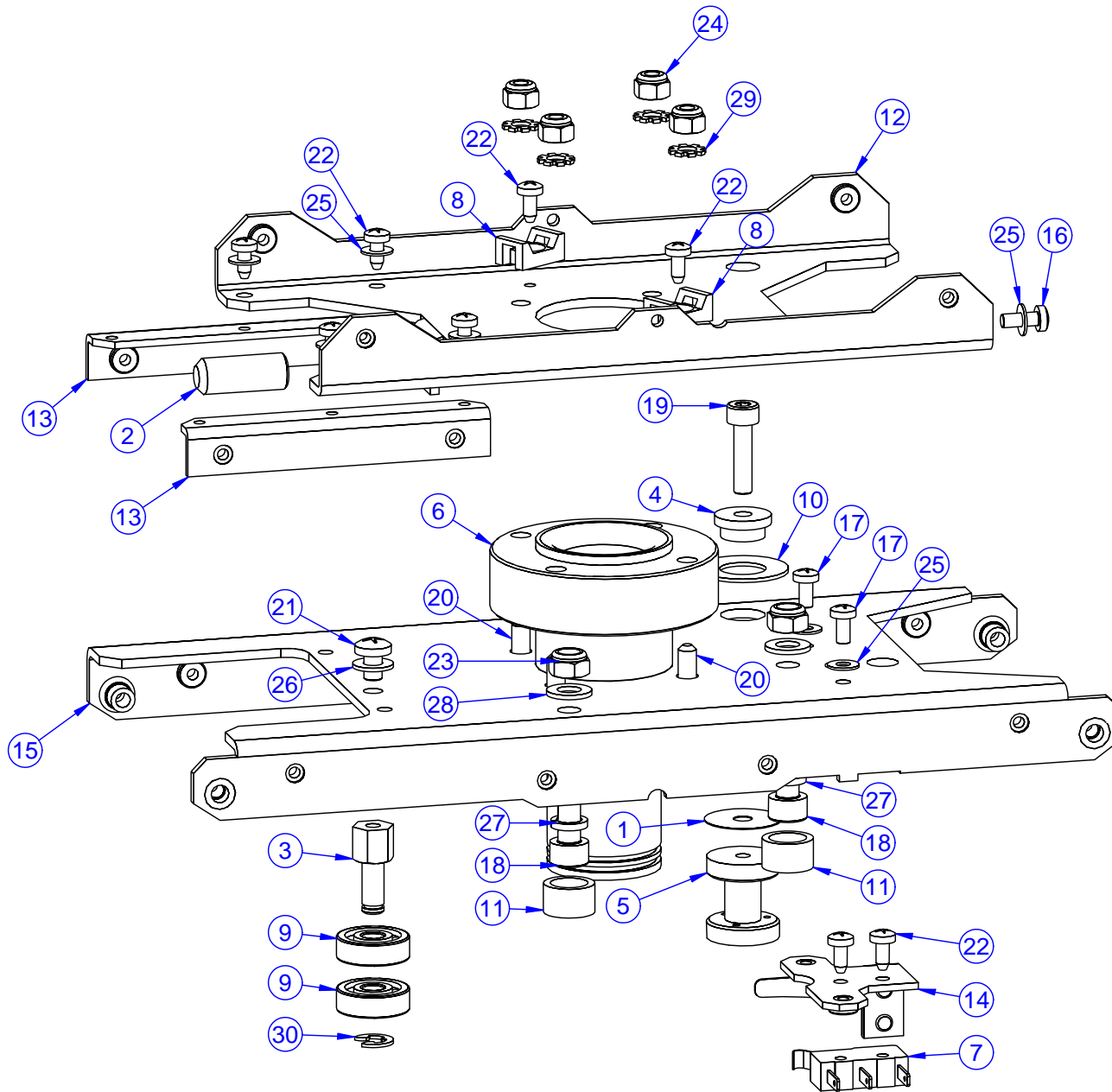
PRODUCT: Robin Pointe		
TITLE: Arm of axe "Y" - locking		
DOCUMENT: 99013860		
VERSION: 1	DATE: 16.09.2013	SHEET: 26 OF 33



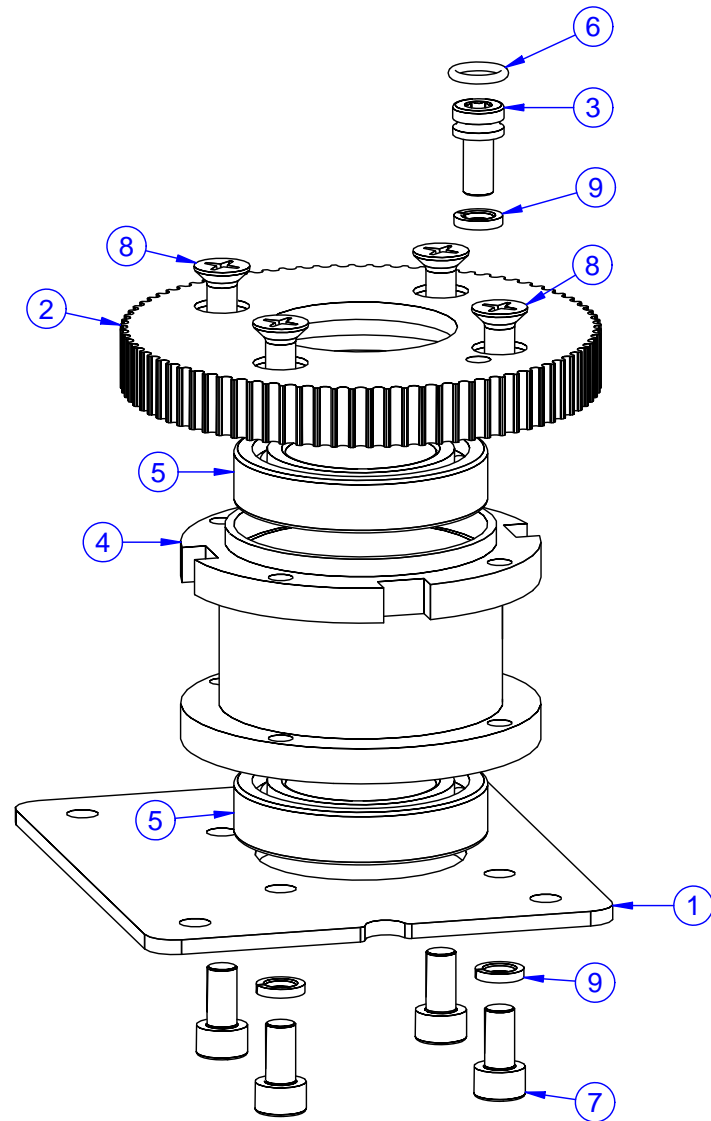
PRODUCT: Robin Pointe		
TITLE: Holder of stepper motor		
DOCUMENT: 99013853		
VERSION: 1	DATE: 07.06.2013	SHEET: 27 OF 33



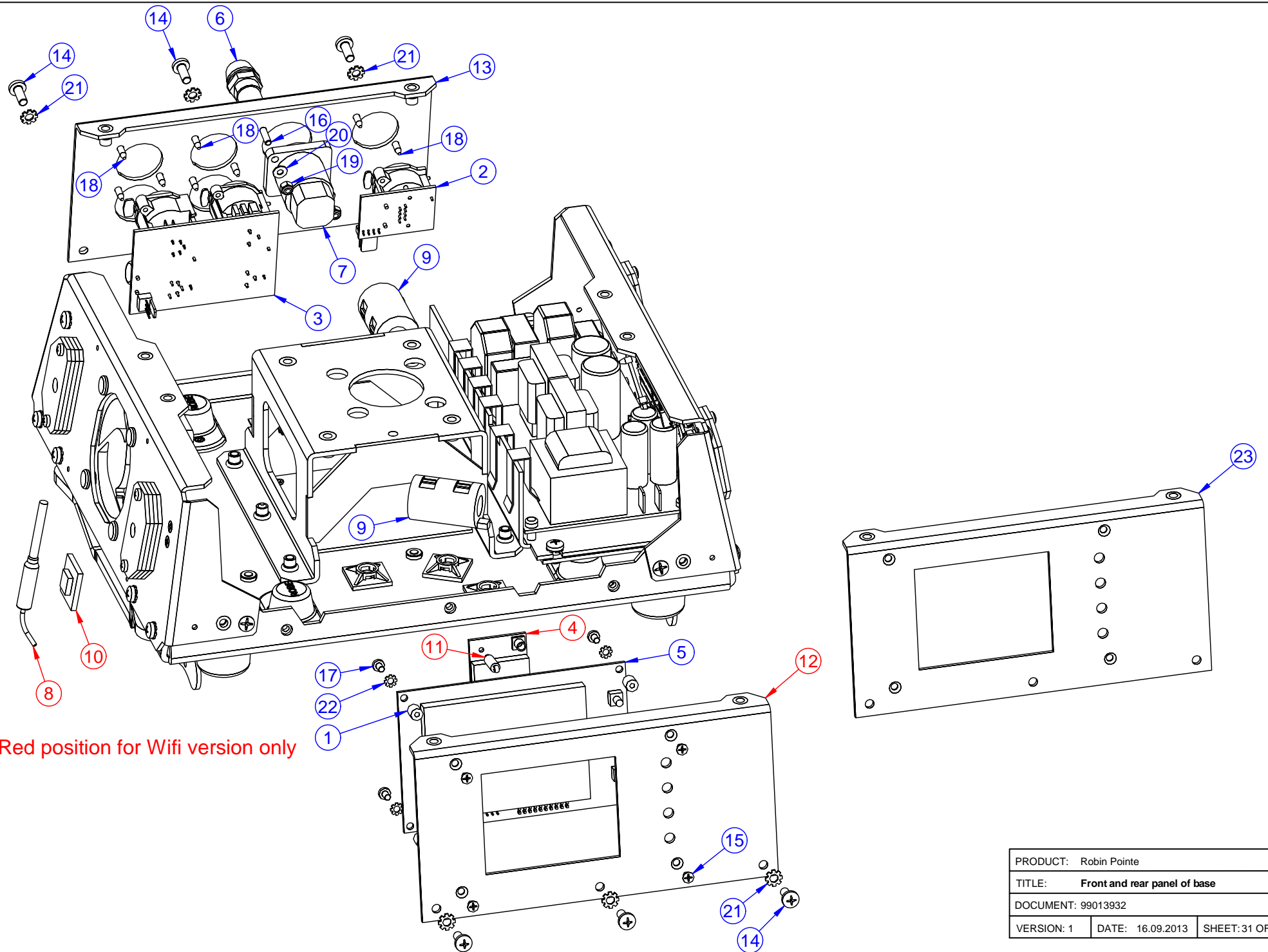
PRODUCT: Robin Pointe		
TITLE: Axe "X"		
DOCUMENT: 99013852		
VERSION: 1	DATE: 07.06.2013	SHEET: 28 OF 33



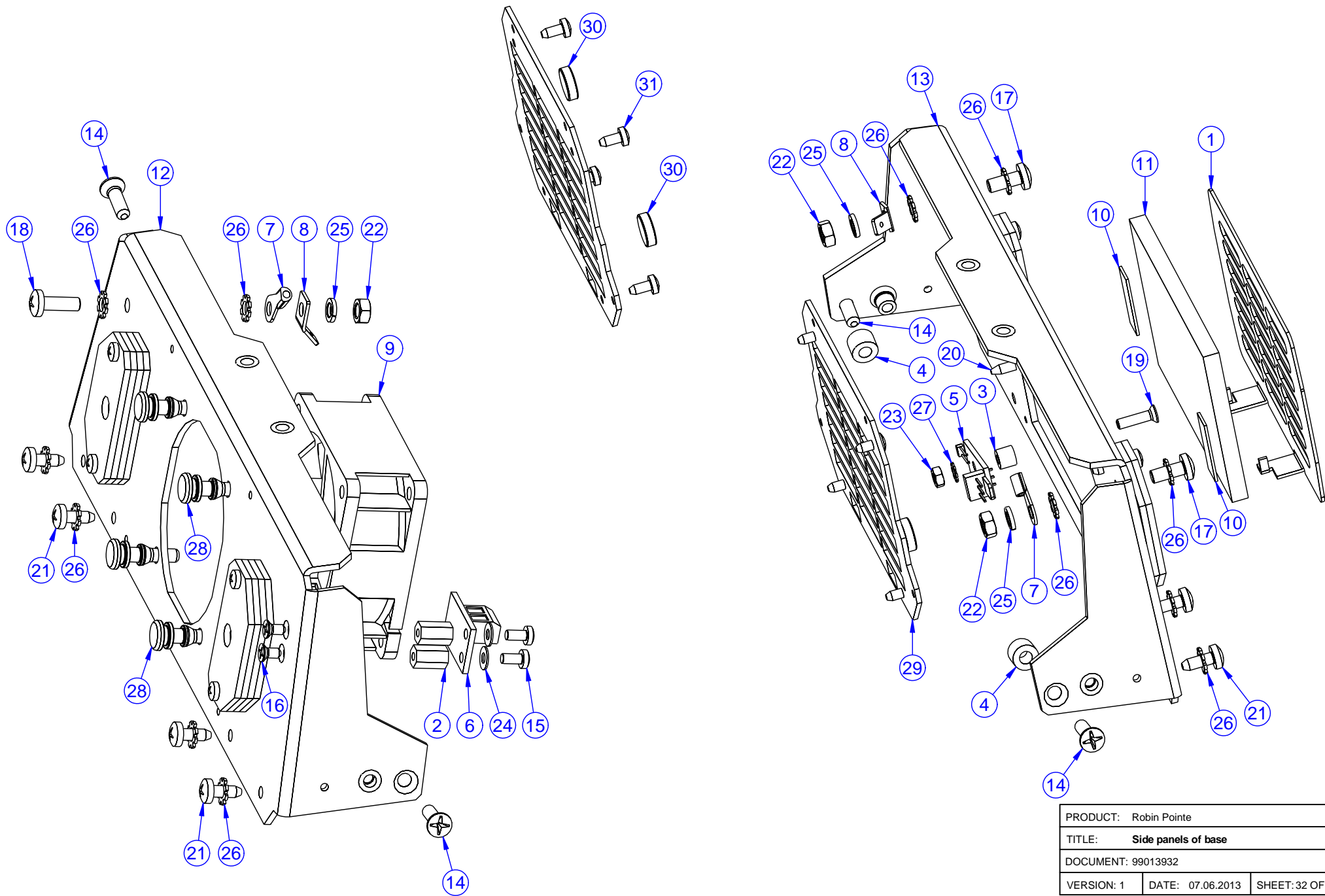
PRODUCT: Robin Pointe		
TITLE: Holder of pivot of axe "X"		
DOCUMENT: 99013852		
VERSION: 1	DATE: 07.06.2013	SHEET: 29 OF 33



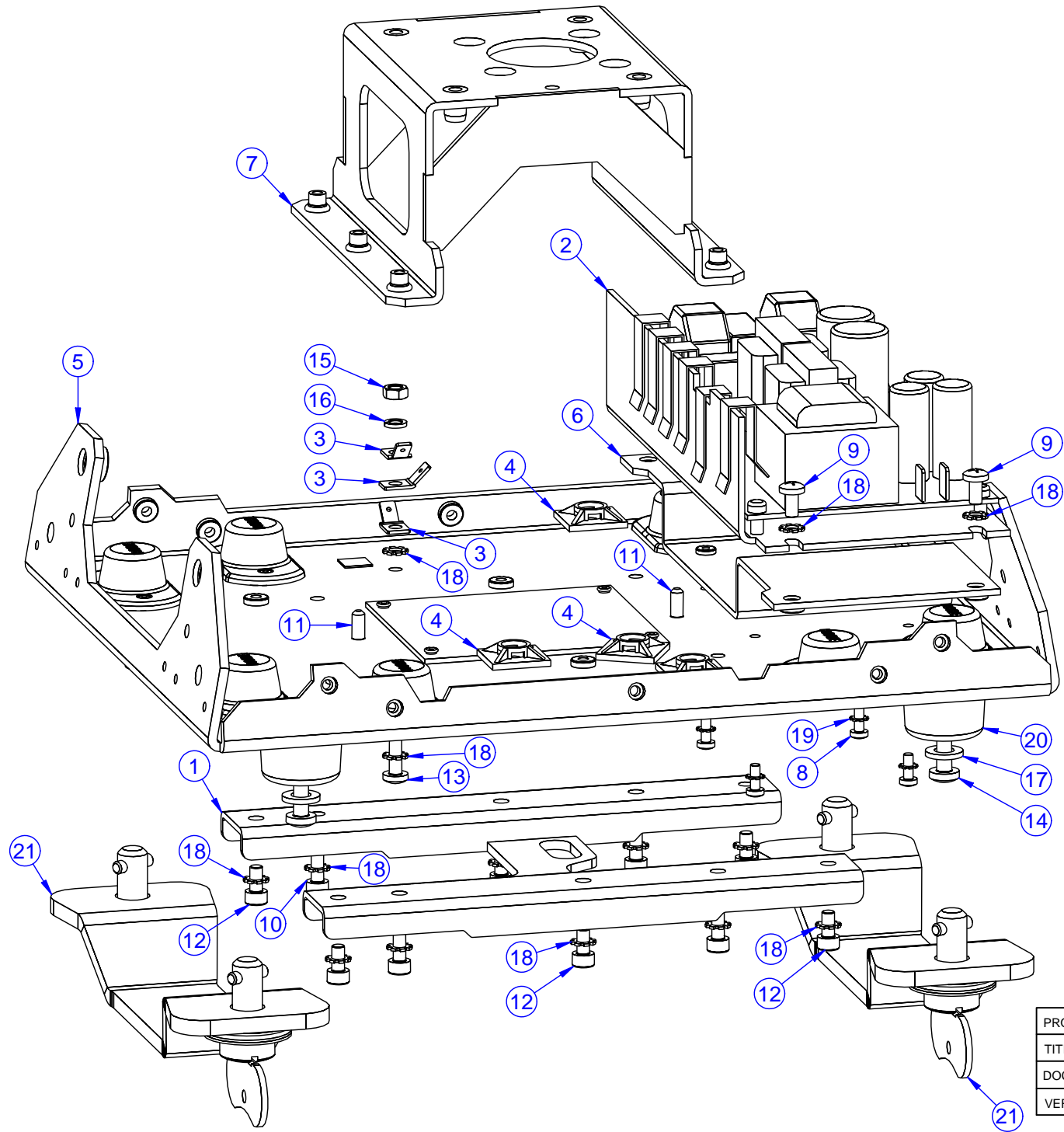
PRODUCT: Robin Pointe		
TITLE: Holder of toothwheel		
DOCUMENT: 99013852		
VERSION: 1	DATE: 07.06.2013	SHEET: 30 OF 33



PRODUCT: Robin Pointe		
TITLE: Front and rear panel of base		
DOCUMENT: 99013932		
VERSION: 1	DATE: 16.09.2013	SHEET: 31 OF 33



PRODUCT: Robin Pointe		
TITLE: Side panels of base		
DOCUMENT: 99013932		
VERSION: 1	DATE: 07.06.2013	SHEET: 32 OF 33



PRODUCT: Robin Pointe		
TITLE: Base		
DOCUMENT: 99013932		
VERSION: 1	DATE: 16.09.2013	SHEET: 33 OF 33