

# Service manual

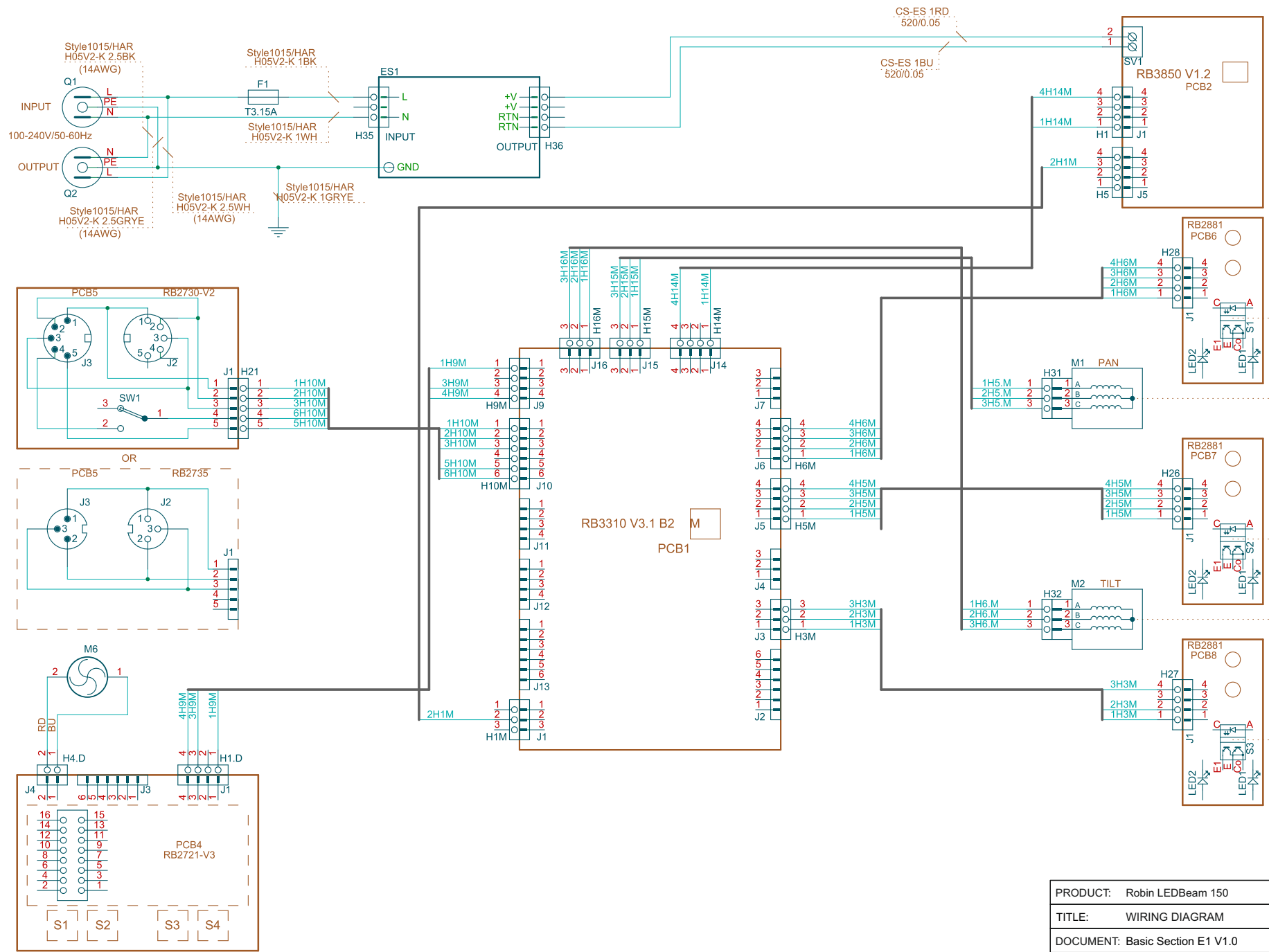
## Robin LEDBeam 150

Exploded Diagrams  
Circuit Diagrams  
Wiring Diagrams  
Order Numbers

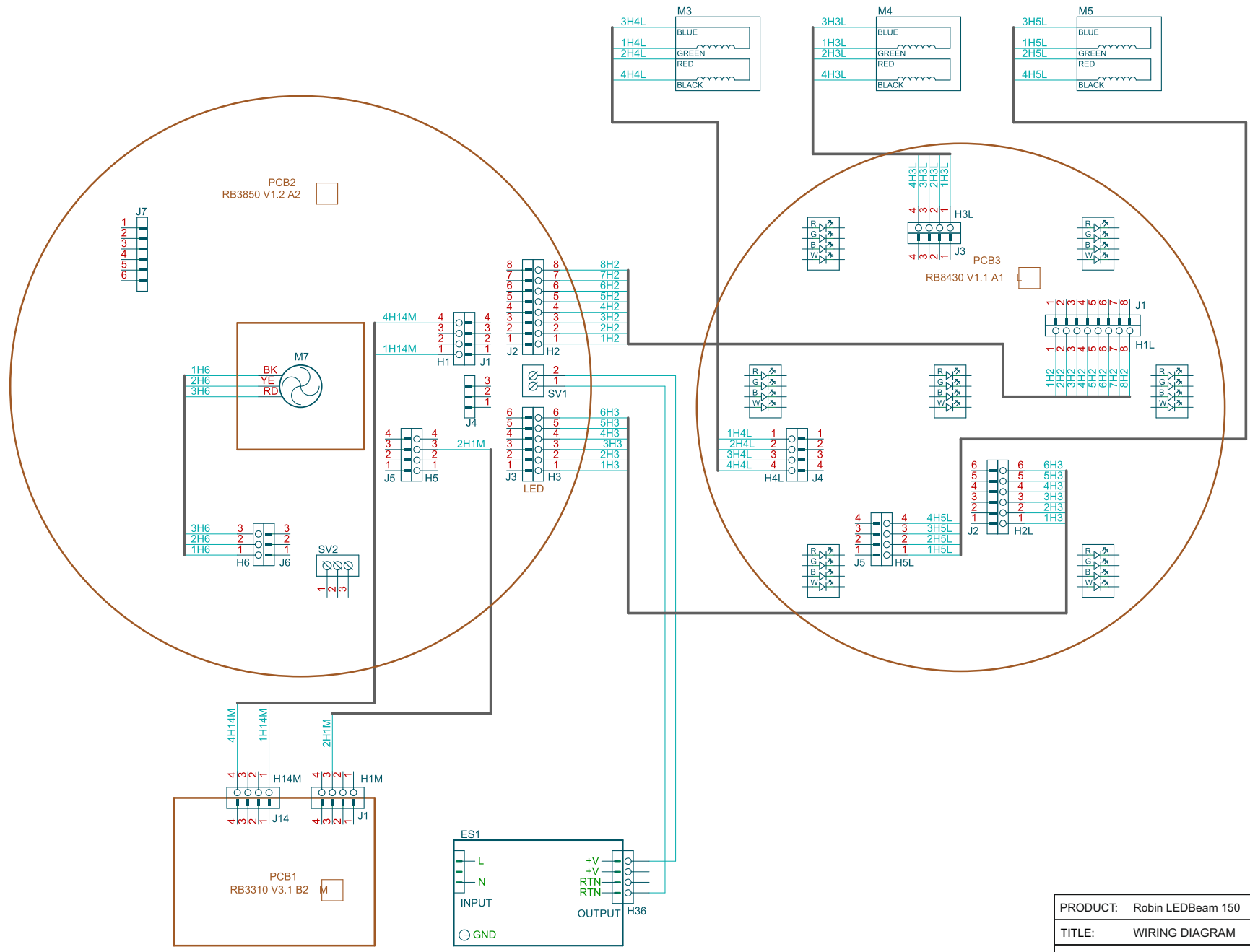


**ROBE**

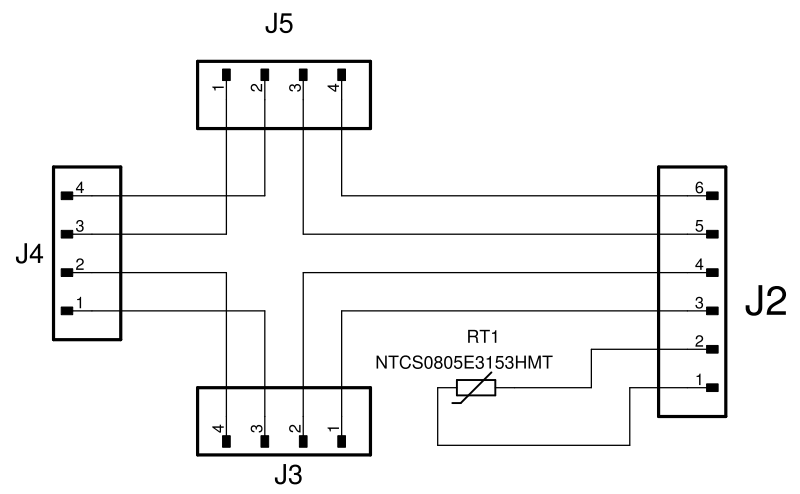
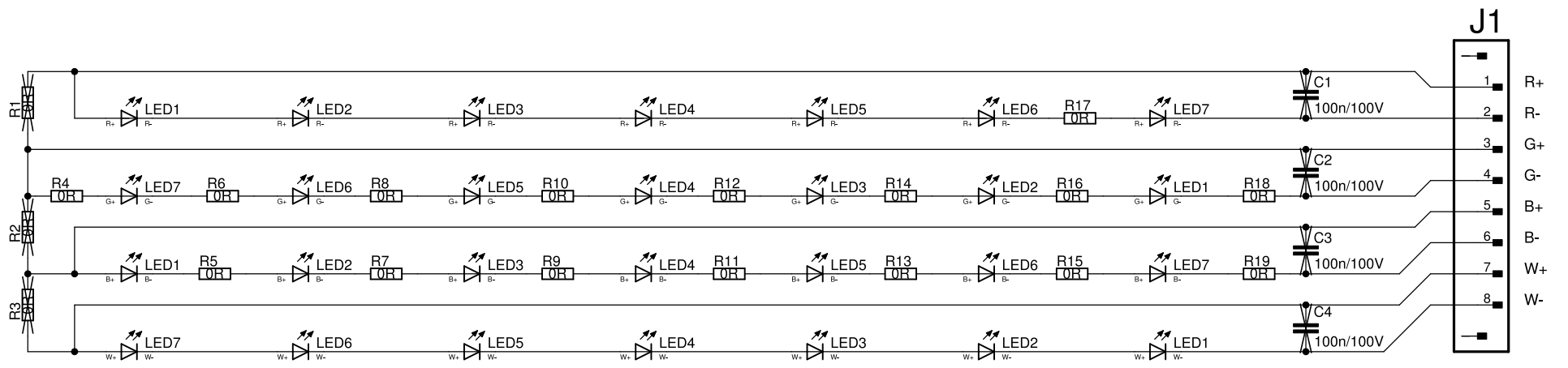
Version: 1 a



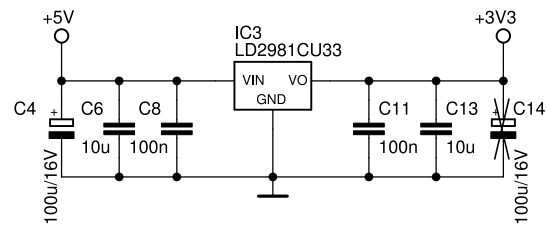
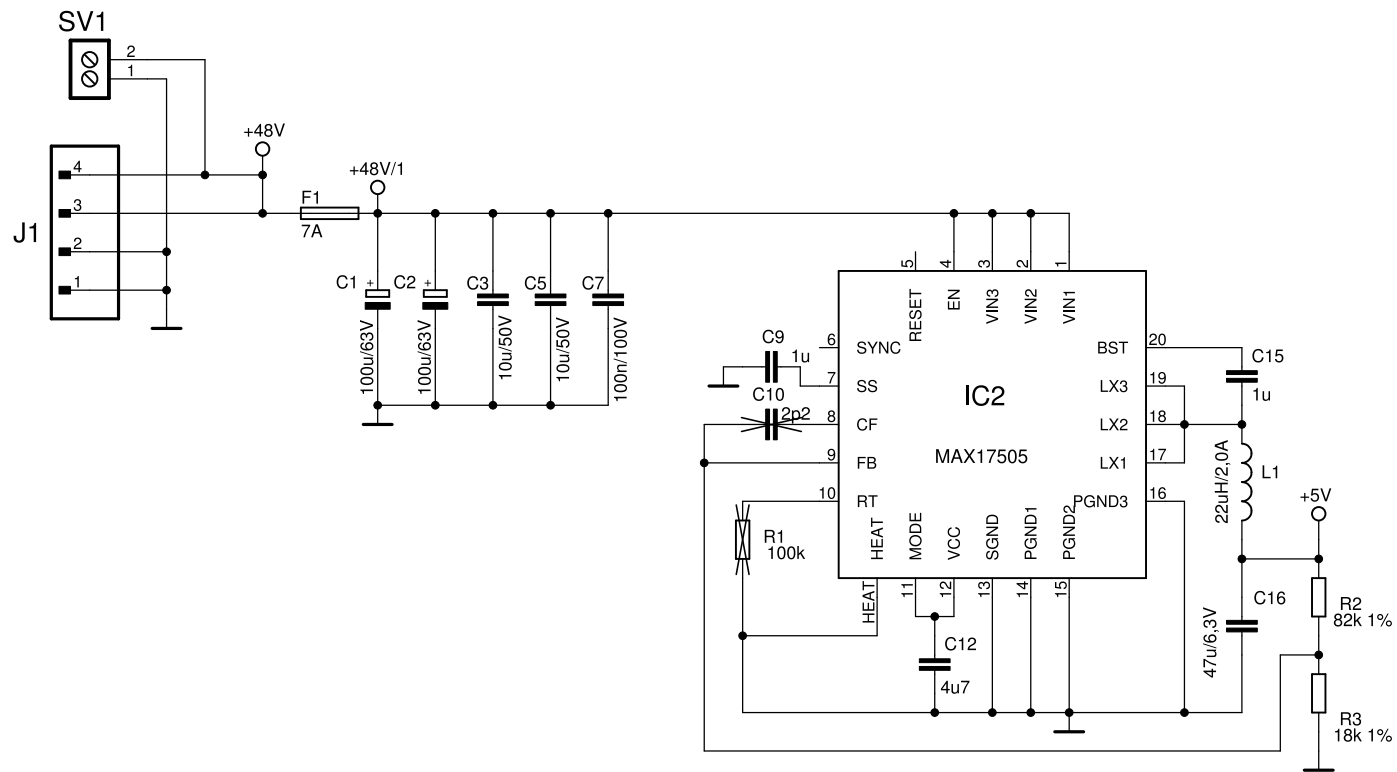
PRODUCT: Robin LEDBeam 150		
TITLE: WIRING DIAGRAM		
DOCUMENT: Basic Section E1 V1.0		
VERSION: 1	DATE: 27.06.2017	SHEET: 01 OF 10



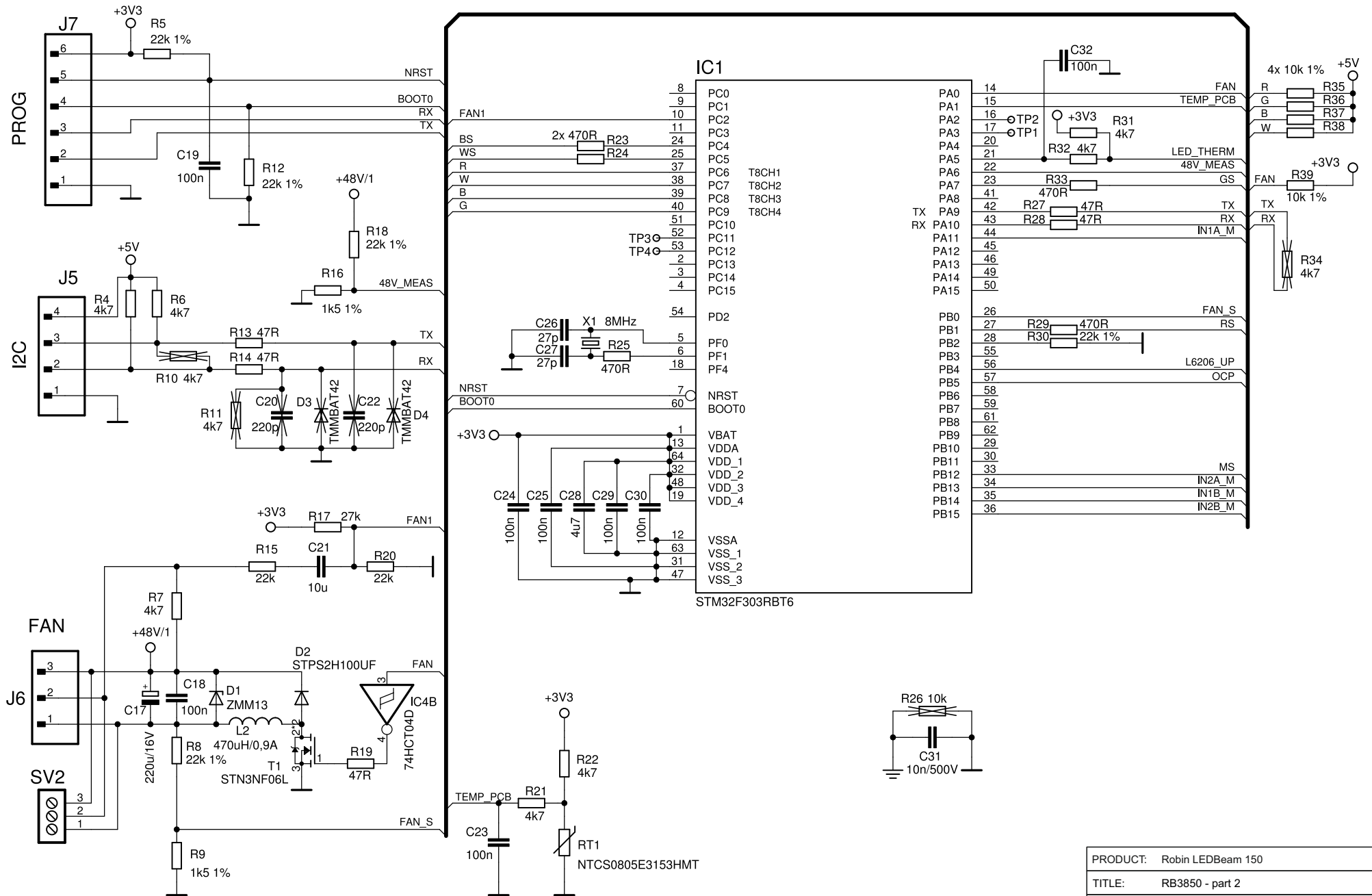
PRODUCT: RobIn LEDBeam 150		
TITLE: WIRING DIAGRAM		
DOCUMENT: Head Section E2 V1.0		
VERSION: 1	DATE: 27.06.2017	SHEET: 02 OF 10



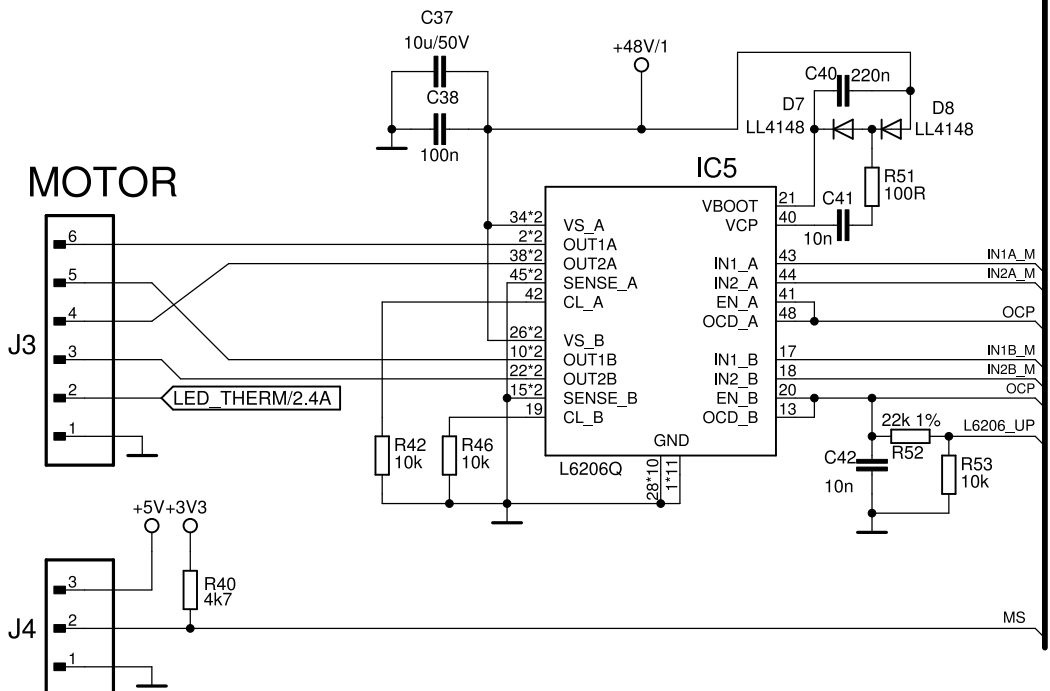
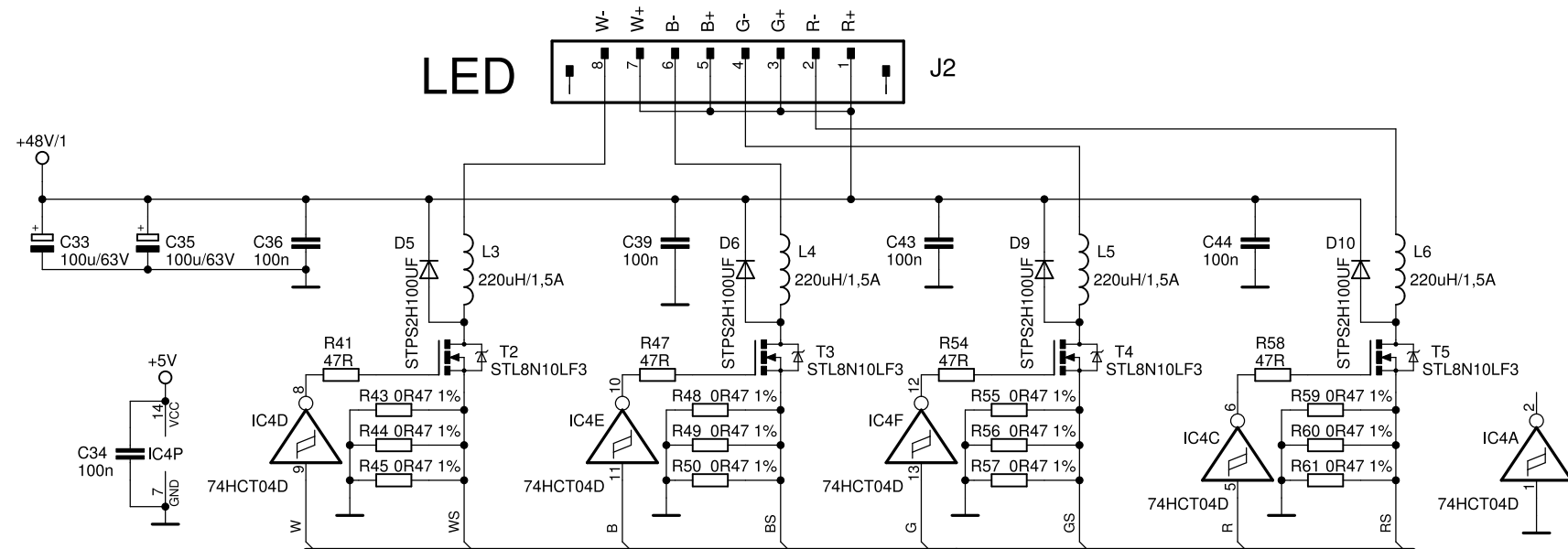
PRODUCT: Robin LEDBeam 150		
TITLE: RB8430		
DOCUMENT: CIRCUIT DIAGRAM		
VERSION: 1	DATE: 27.06.2017	SHEET: 03 OF 10



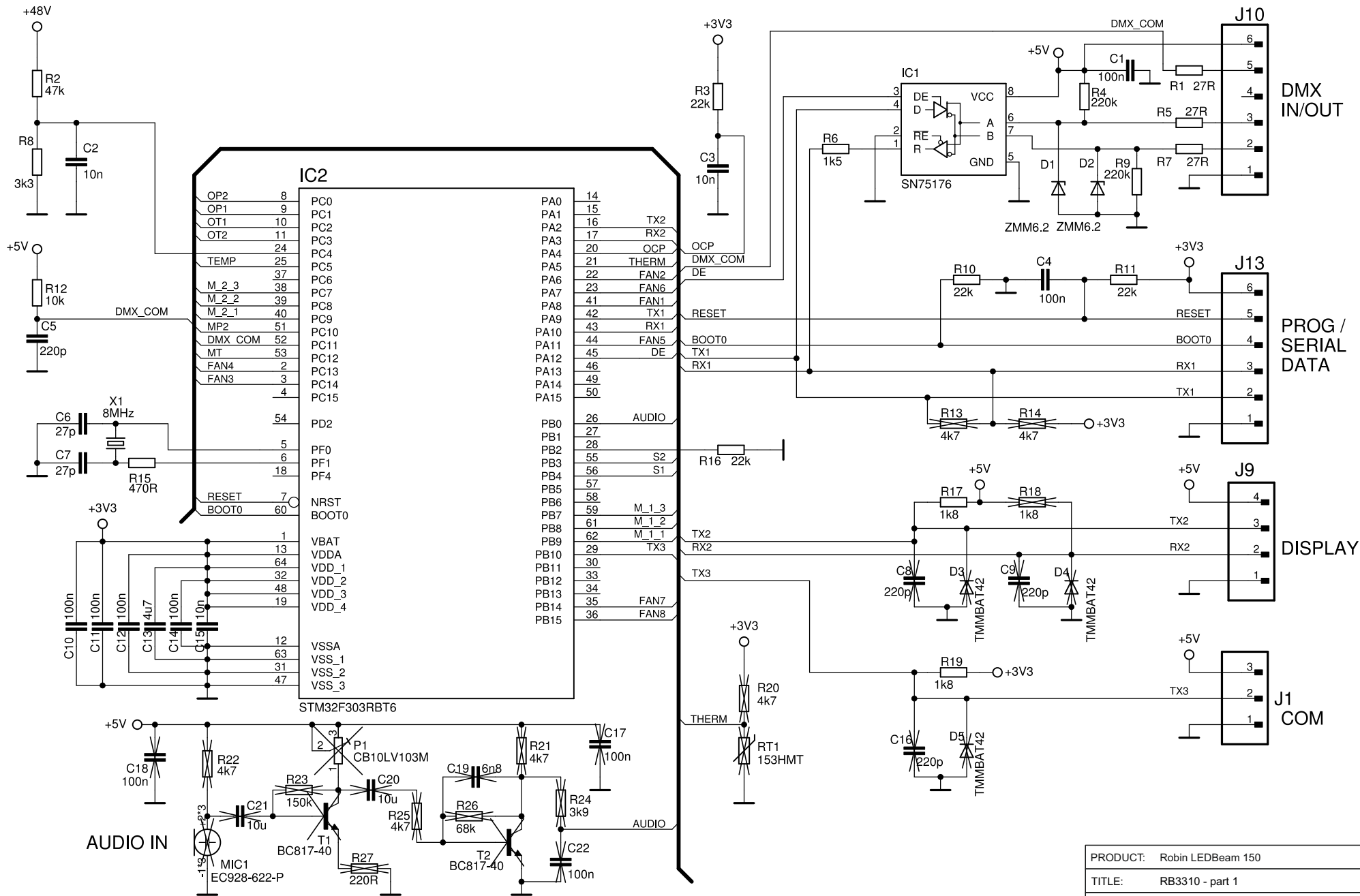
PRODUCT: Robin LEDBeam 150		
TITLE: RB3850 - part 1		
DOCUMENT: CIRCUIT DIAGRAM		
VERSION: 1	DATE: 27.06.2017	SHEET: 04 OF 10



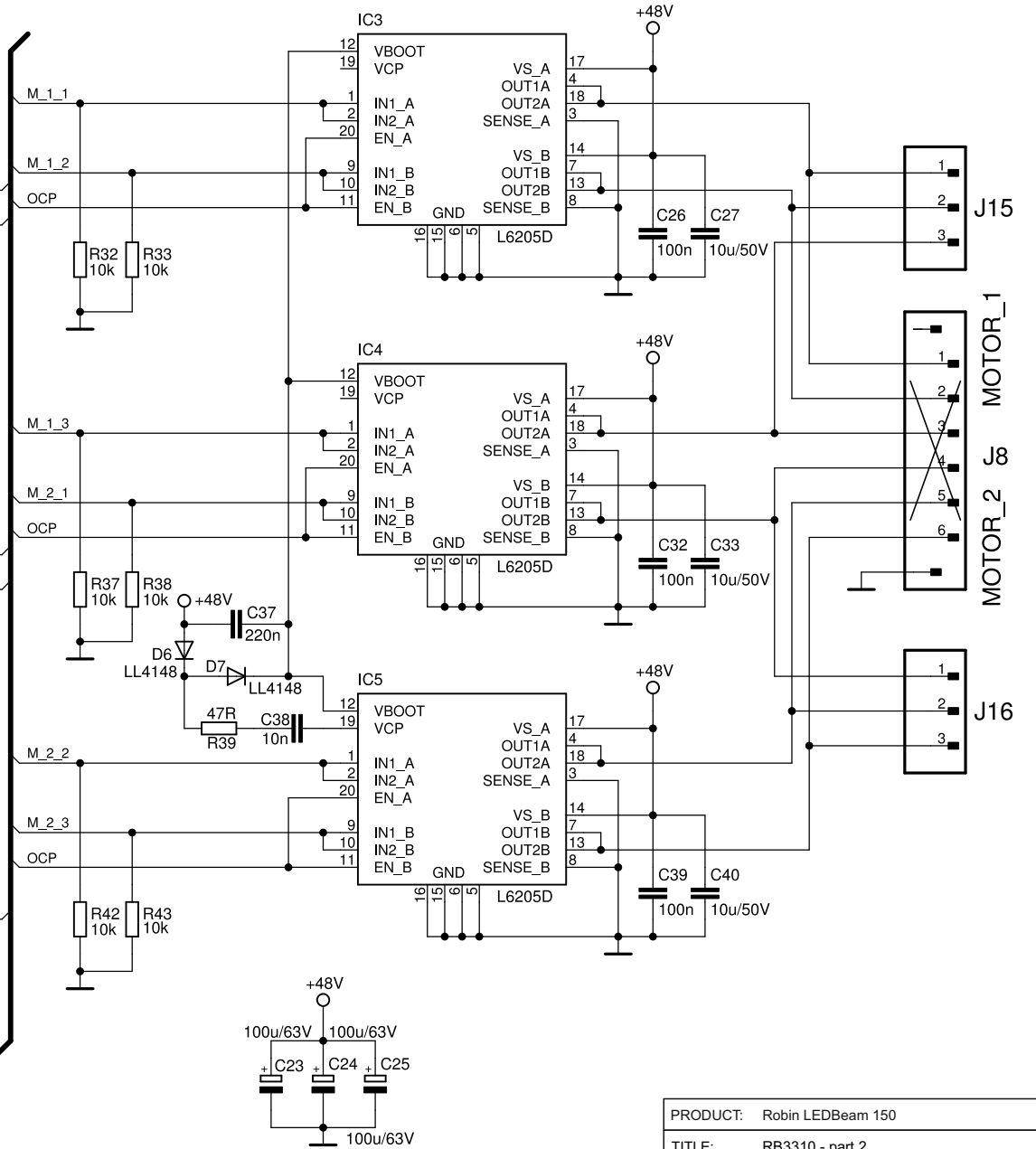
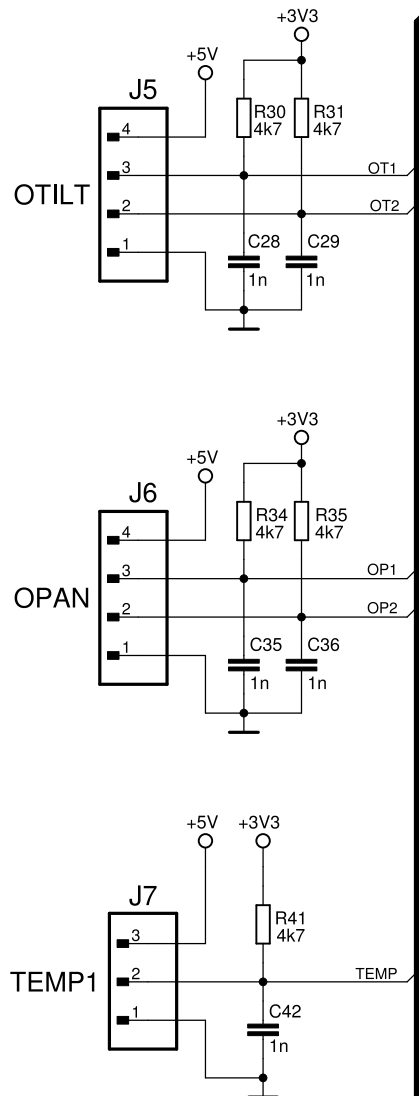
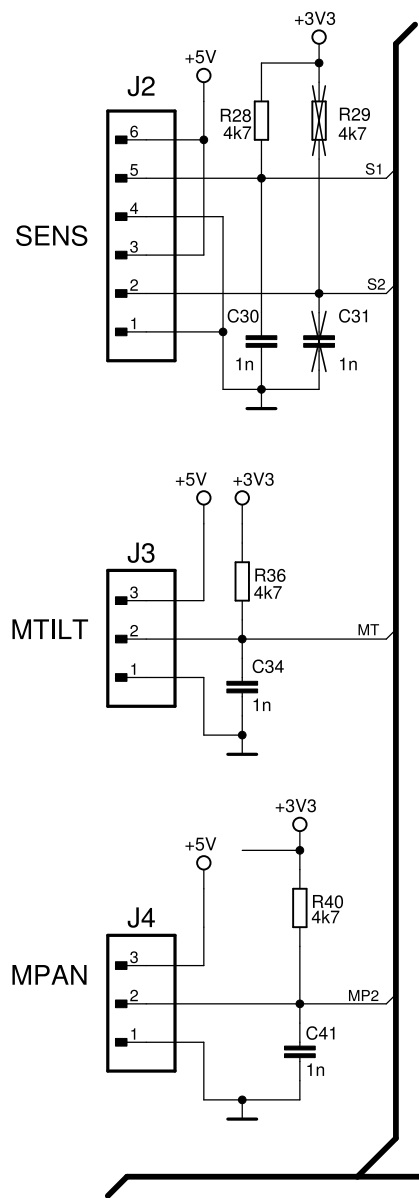
PRODUCT: Robin LEDBeam 150		
TITLE: RB3850 - part 2		
DOCUMENT: CIRCUIT DIAGRAM		
VERSION: 1	DATE: 27.06.2017	SHEET: 05 OF 10



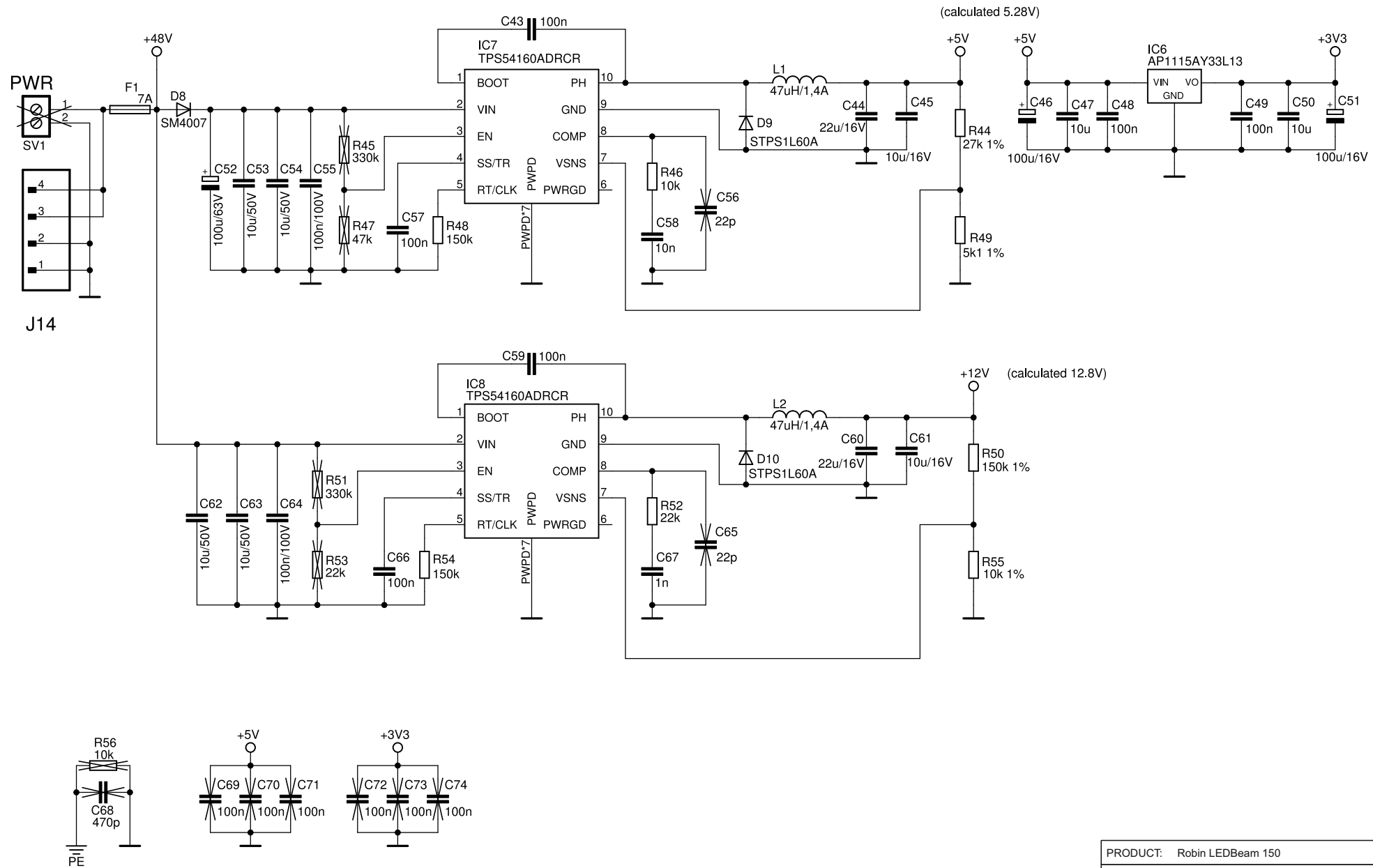
PRODUCT: Robin LEDBeam 150		
TITLE: RB3850 - part 3		
DOCUMENT: CIRCUIT DIAGRAM		
VERSION: 1	DATE: 27.06.2017	SHEET: 06 OF 10



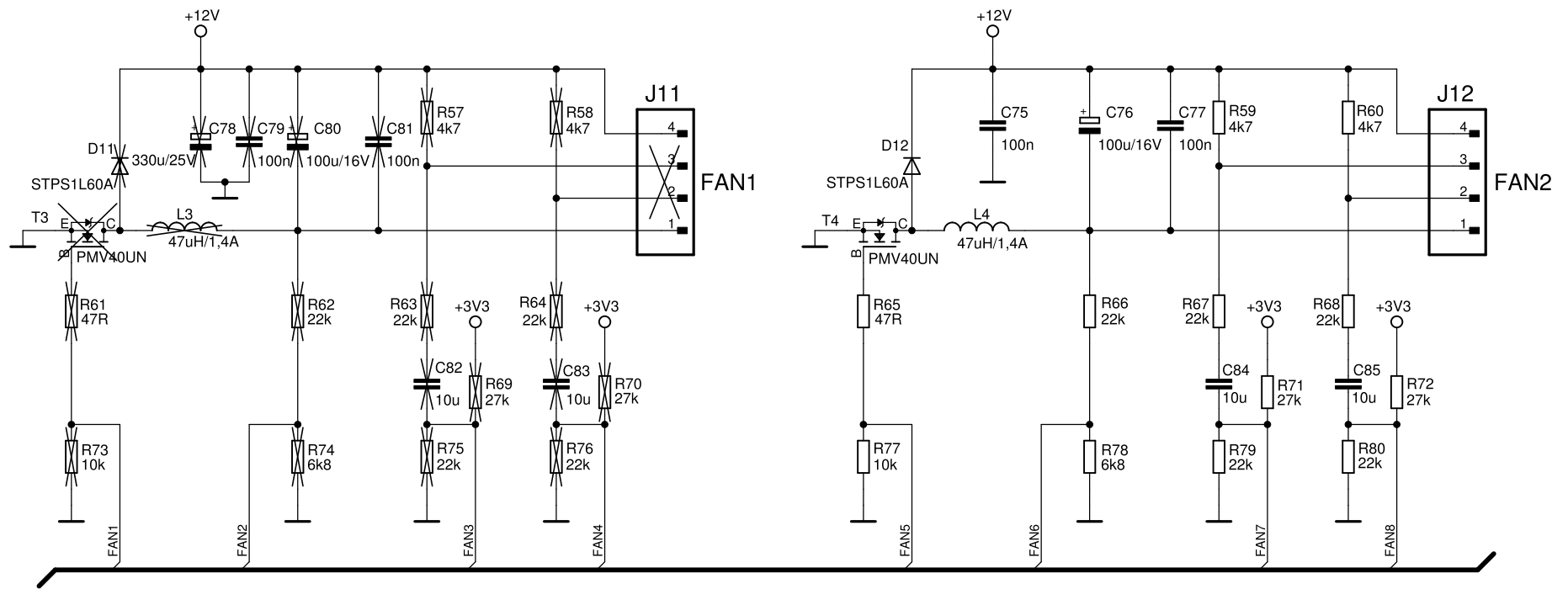
PRODUCT: Robin LEDBeam 150		
TITLE: RB3310 - part 1		
DOCUMENT: CIRCUIT DIAGRAM		
VERSION: 1	DATE: 27.06.2017	SHEET: 07 OF 10



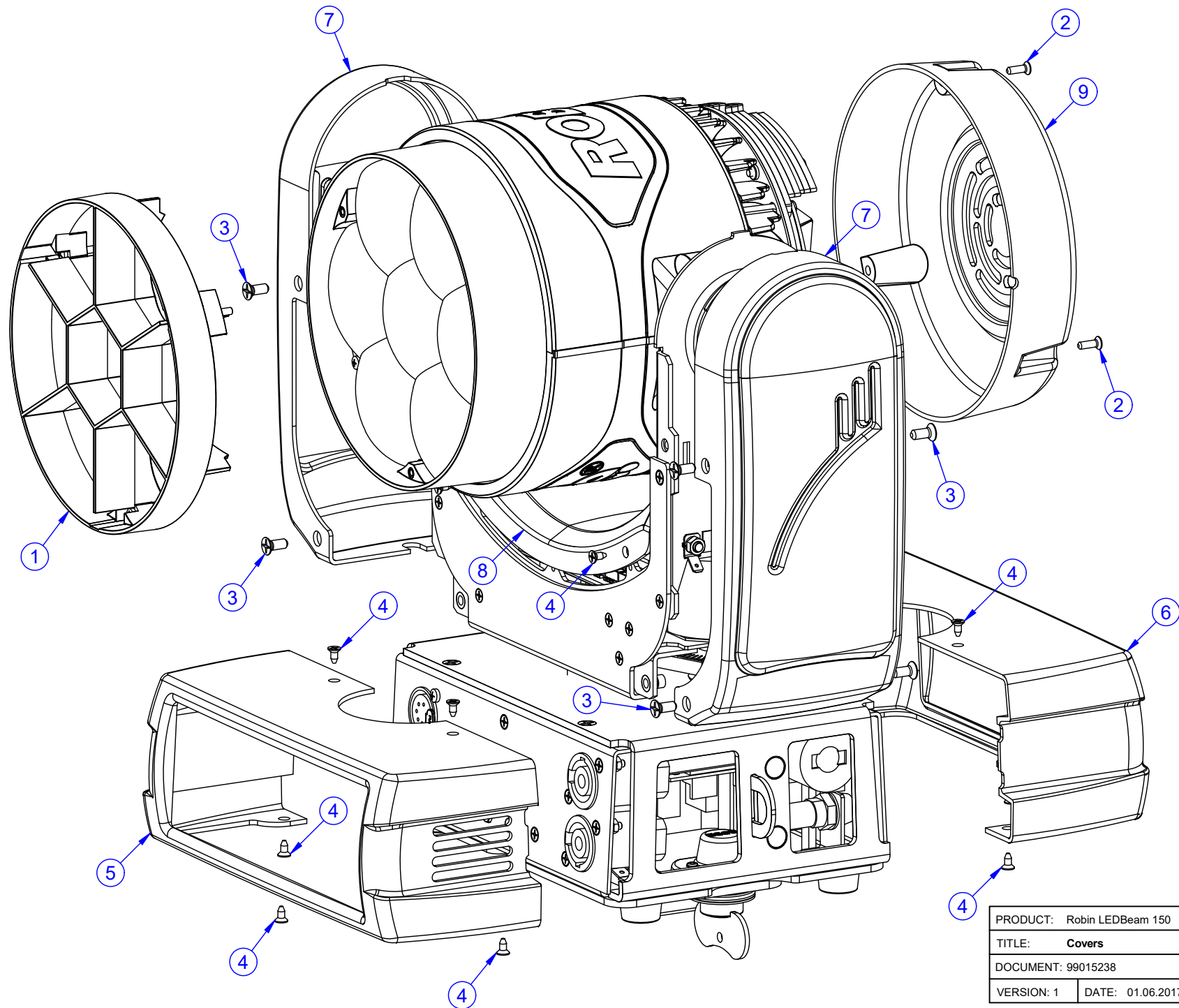
PRODUCT: Robin LEDBeam 150		
TITLE: RB3310 - part 2		
DOCUMENT: CIRCUIT DIAGRAM		
VERSION: 1	DATE: 27.06.2017	SHEET: 08 OF 10



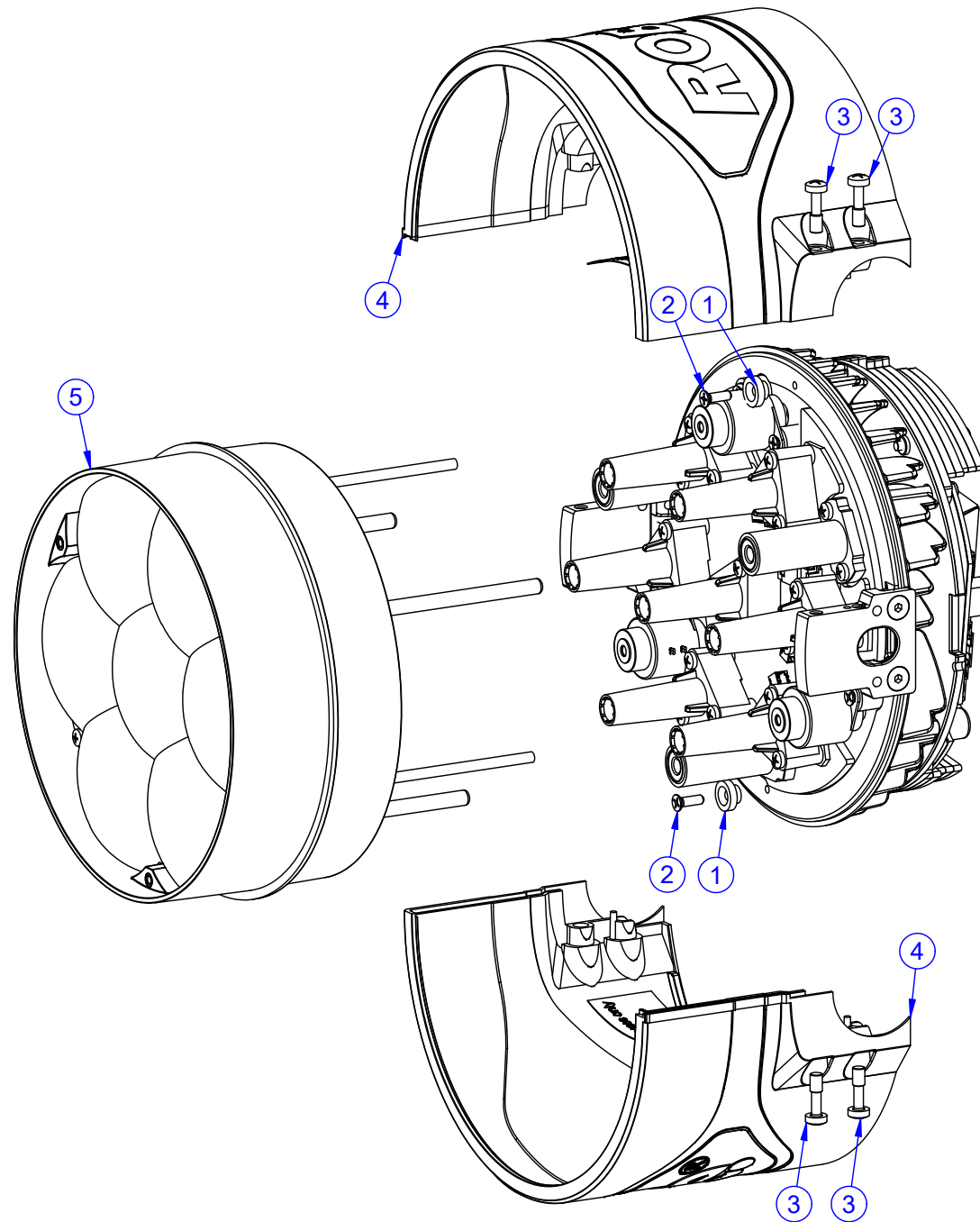
PRODUCT: Robin LEDBeam 150		
TITLE: RB3310 - part 3		
DOCUMENT: CIRCUIT DIAGRAM		
VERSION: 1	DATE: 27.06.2017	SHEET: 09 OF 10



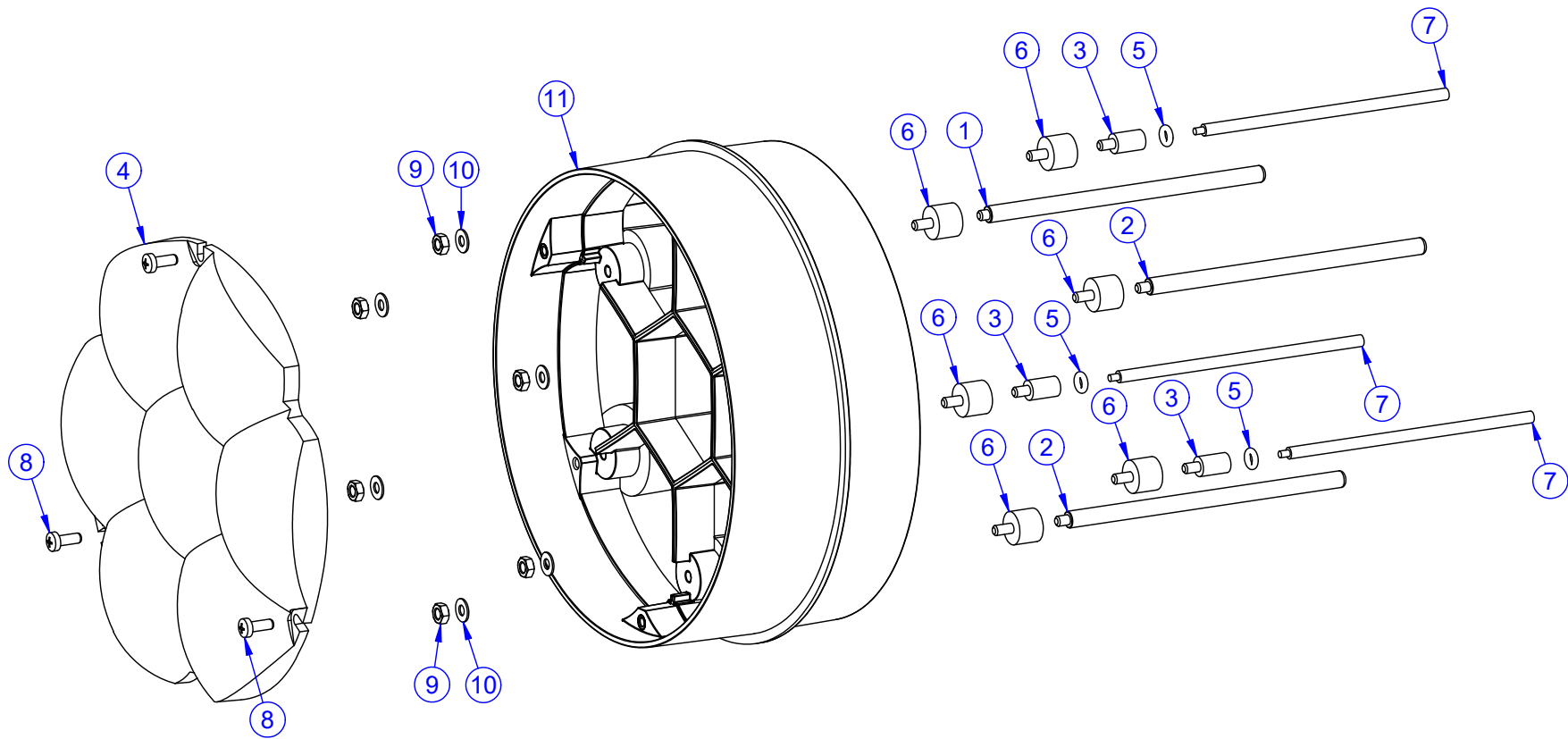
PRODUCT: Robin LEDBeam 150		
TITLE: RB3310 - part 4		
DOCUMENT: CIRCUIT DIAGRAM		
VERSION: 1	DATE: 27.06.2017	SHEET: 10 OF 10



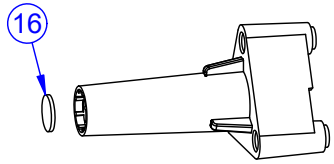
PRODUCT: Robin LEDBeam 150		
TITLE: Covers		
DOCUMENT: 99015238		
VERSION: 1	DATE: 01.06.2017	SHEET: 01 OF 12



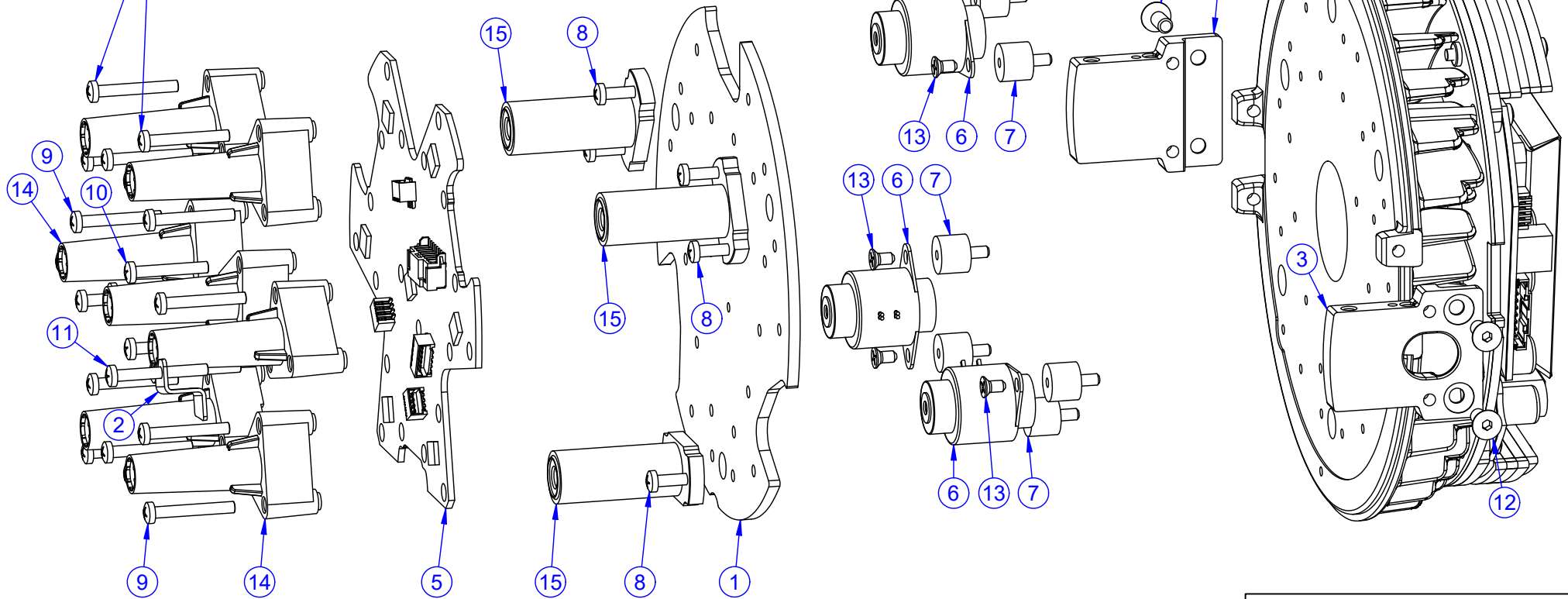
PRODUCT: Robin LEDBeam 150		
TITLE: <b>Connection of module optic</b>		
DOCUMENT: 99015239		
VERSION: 1	DATE: 01.06.2017	SHEET: 02 OF 12



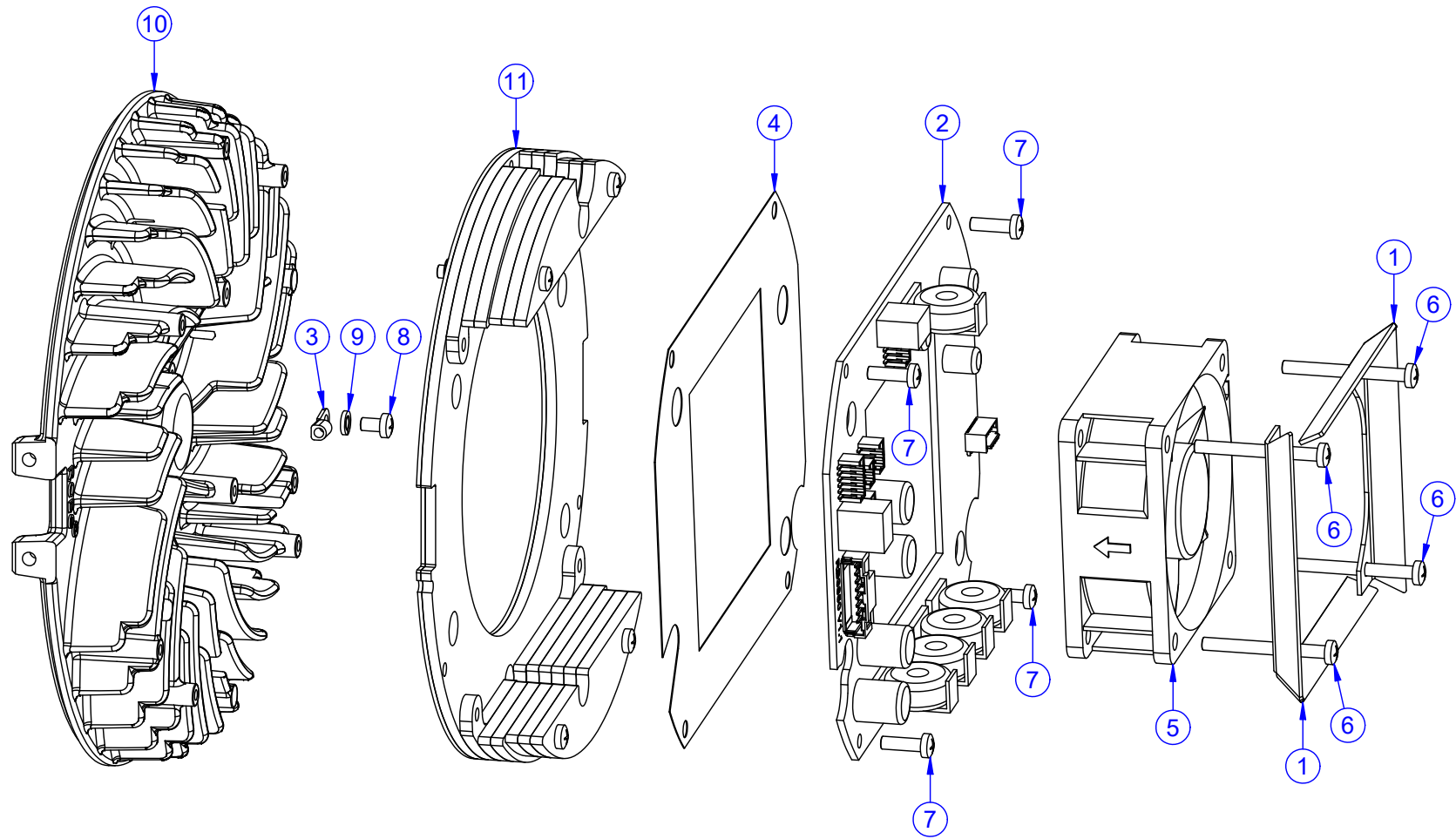
PRODUCT: Robin LEDBeam 150		
TITLE: <b>Module of optic - exploded</b>		
DOCUMENT: 99015239		
VERSION: 1	DATE: 01.06.2017	SHEET: 03 OF 12



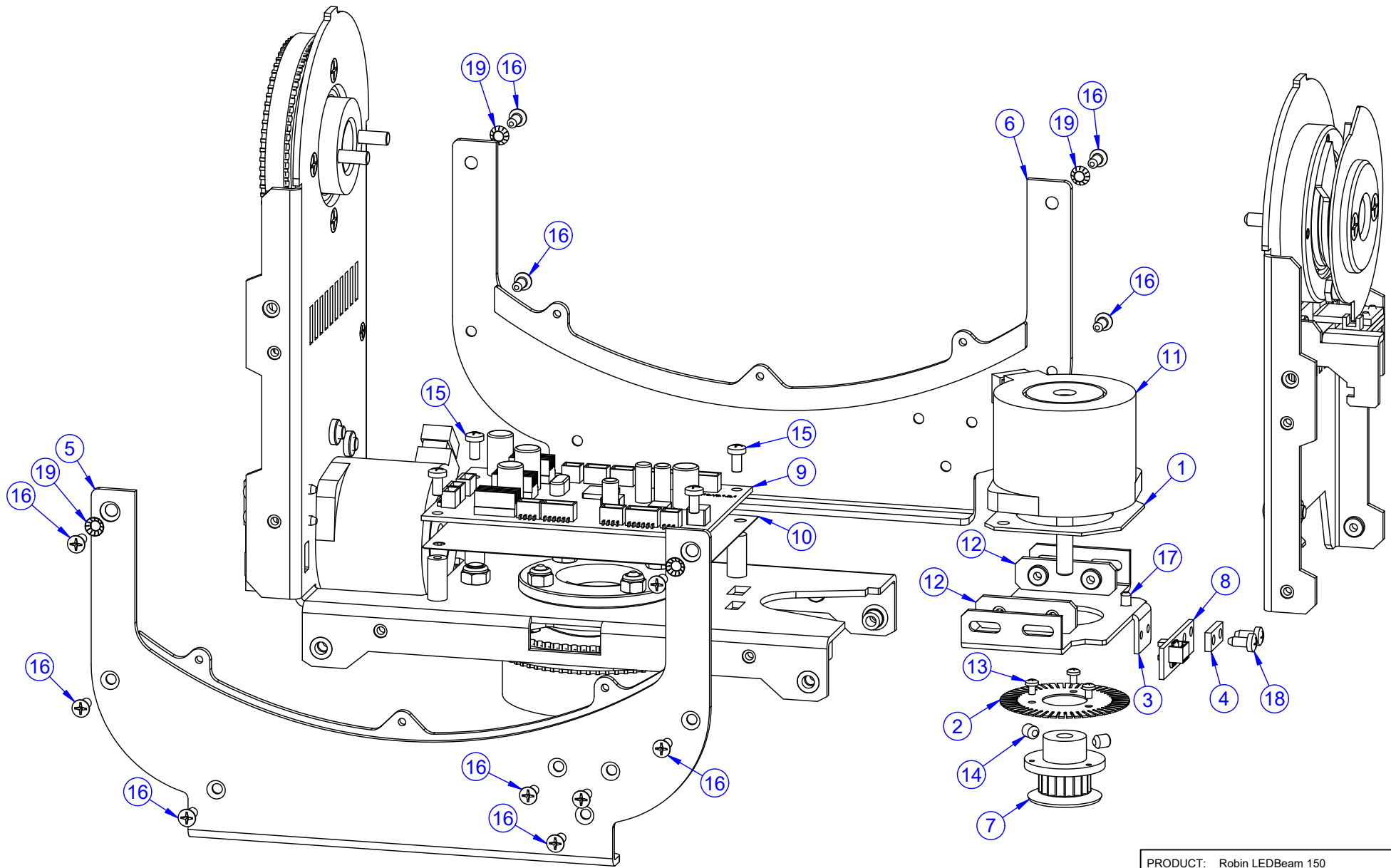
Maximum tightening torque 0,39 Nm



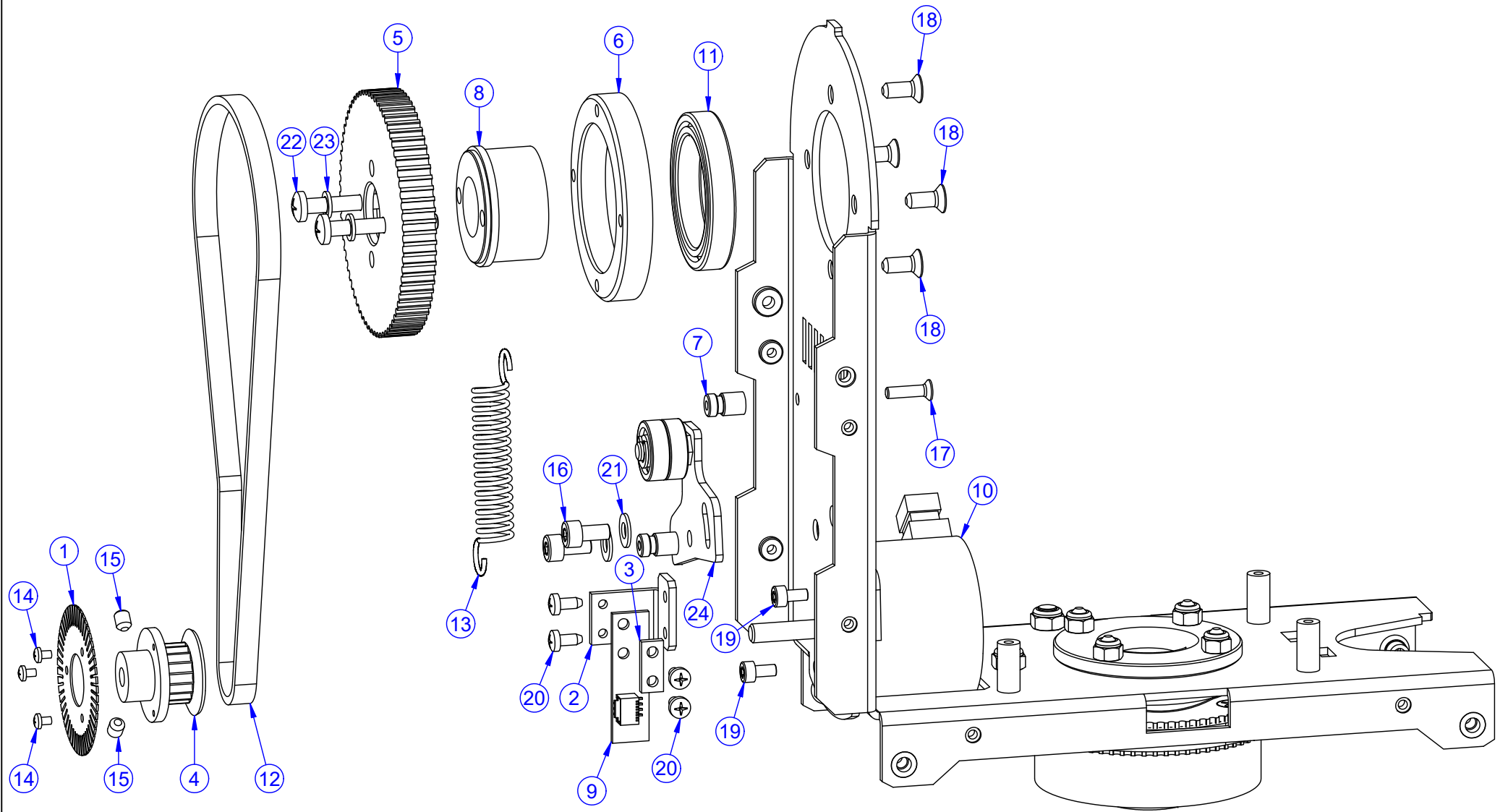
PRODUCT: Robin LEDBeam 150		
TITLE: Front part of head		
DOCUMENT: 99015239		
VERSION: 1	DATE: 20.09.2017	SHEET: 04 OF 12



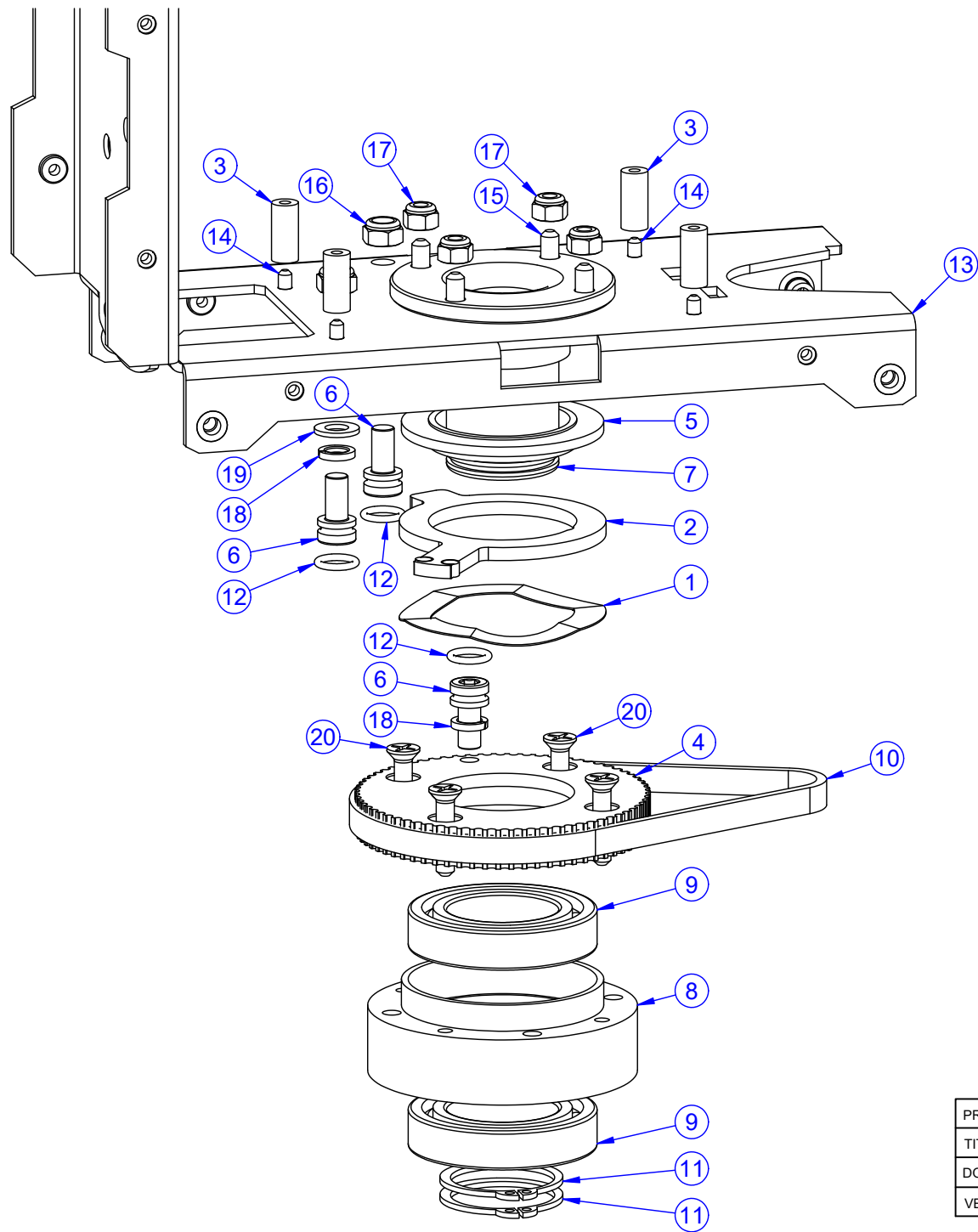
PRODUCT: Robin LEDBeam 150		
TITLE: <b>Rear part of head</b>		
DOCUMENT: 99015239		
VERSION: 1	DATE: 01.06.2017	SHEET: 05 OF 12



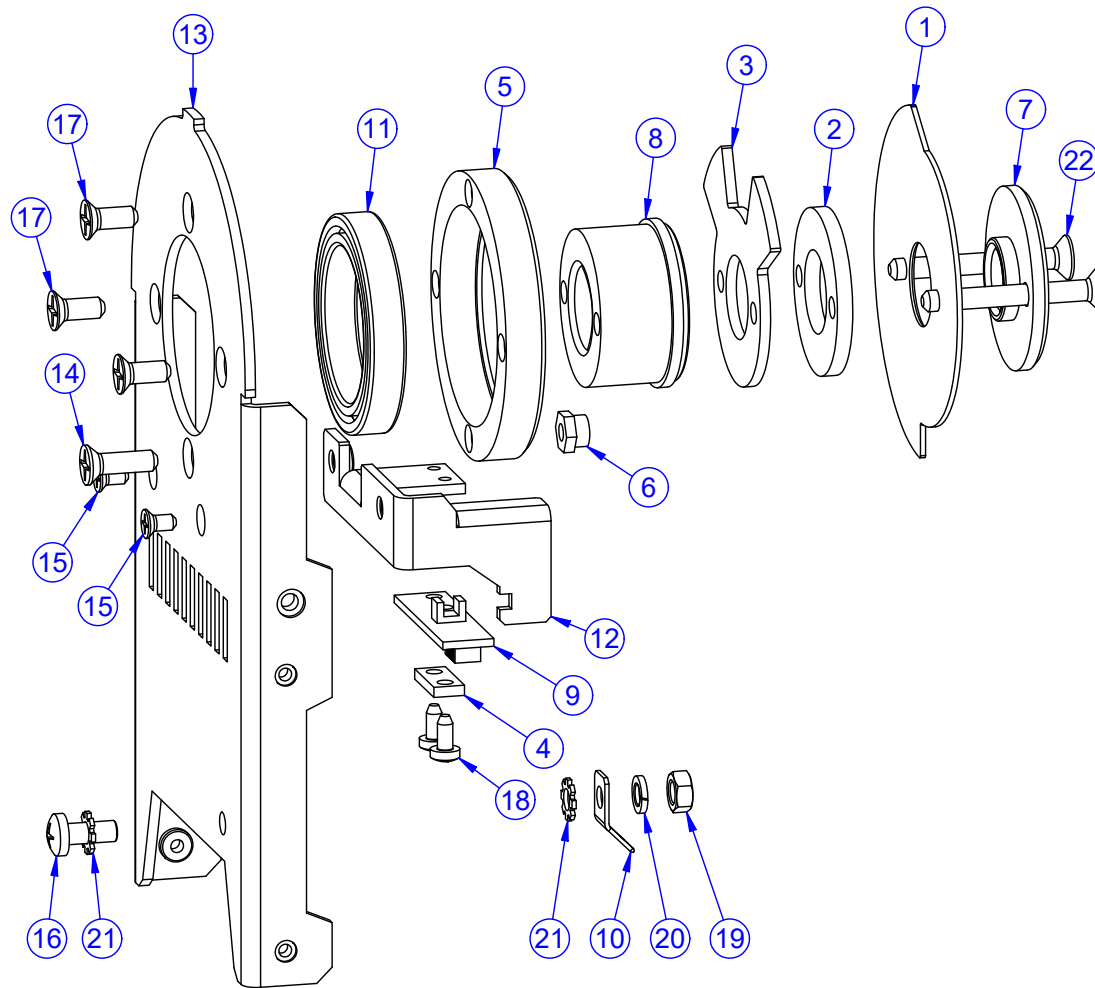
PRODUCT: Robin LEDBeam 150		
TITLE: <b>Arm of head - exploded</b>		
DOCUMENT: 99015240		
VERSION: 1	DATE: 01.06.2017	SHEET: 06 OF 12



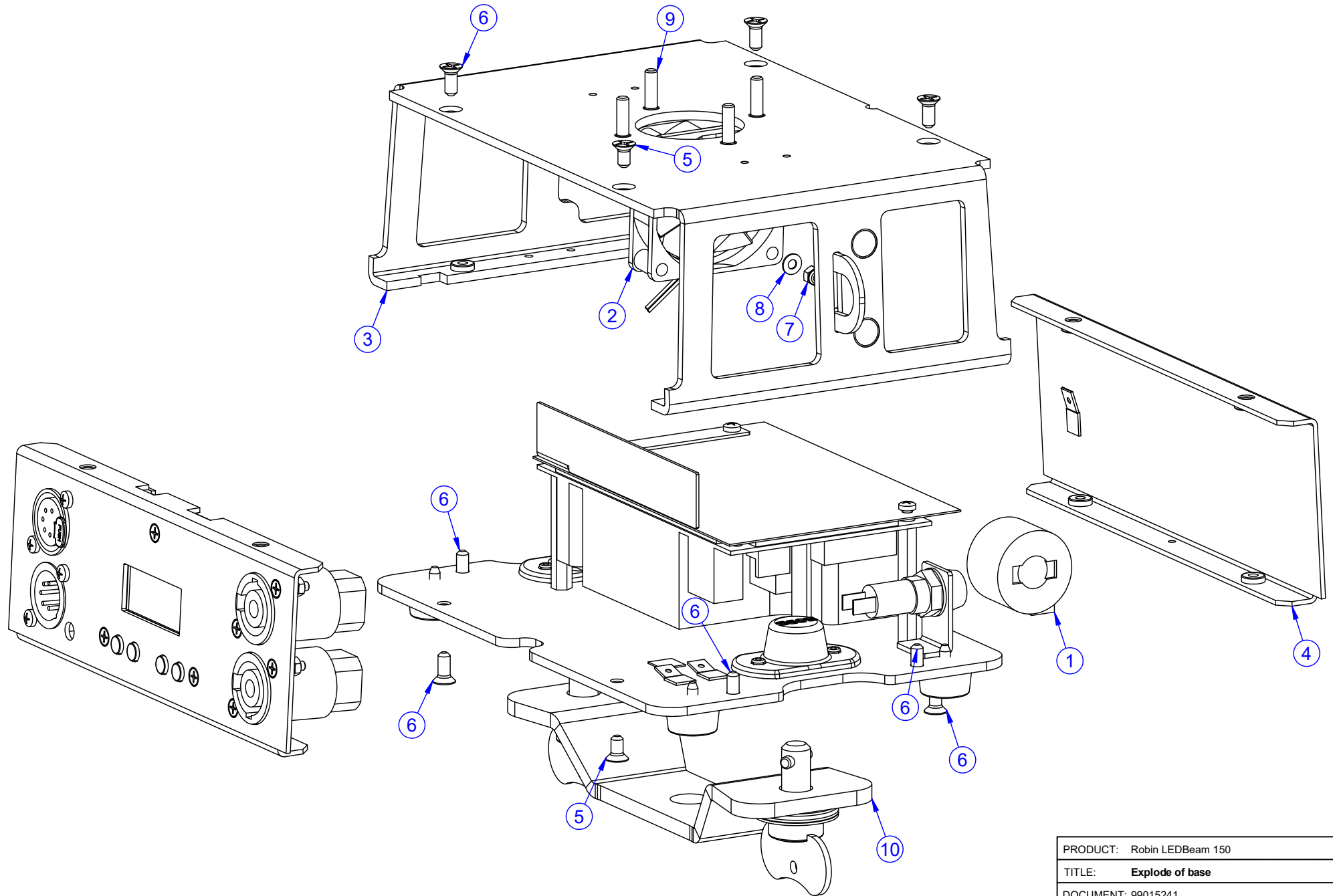
PRODUCT: Robin LEDBeam 150		
TITLE: <b>Holder of axes - part 1</b>		
DOCUMENT: 99015240		
VERSION: 1	DATE: 01.06.2017	SHEET: 07 OF 12



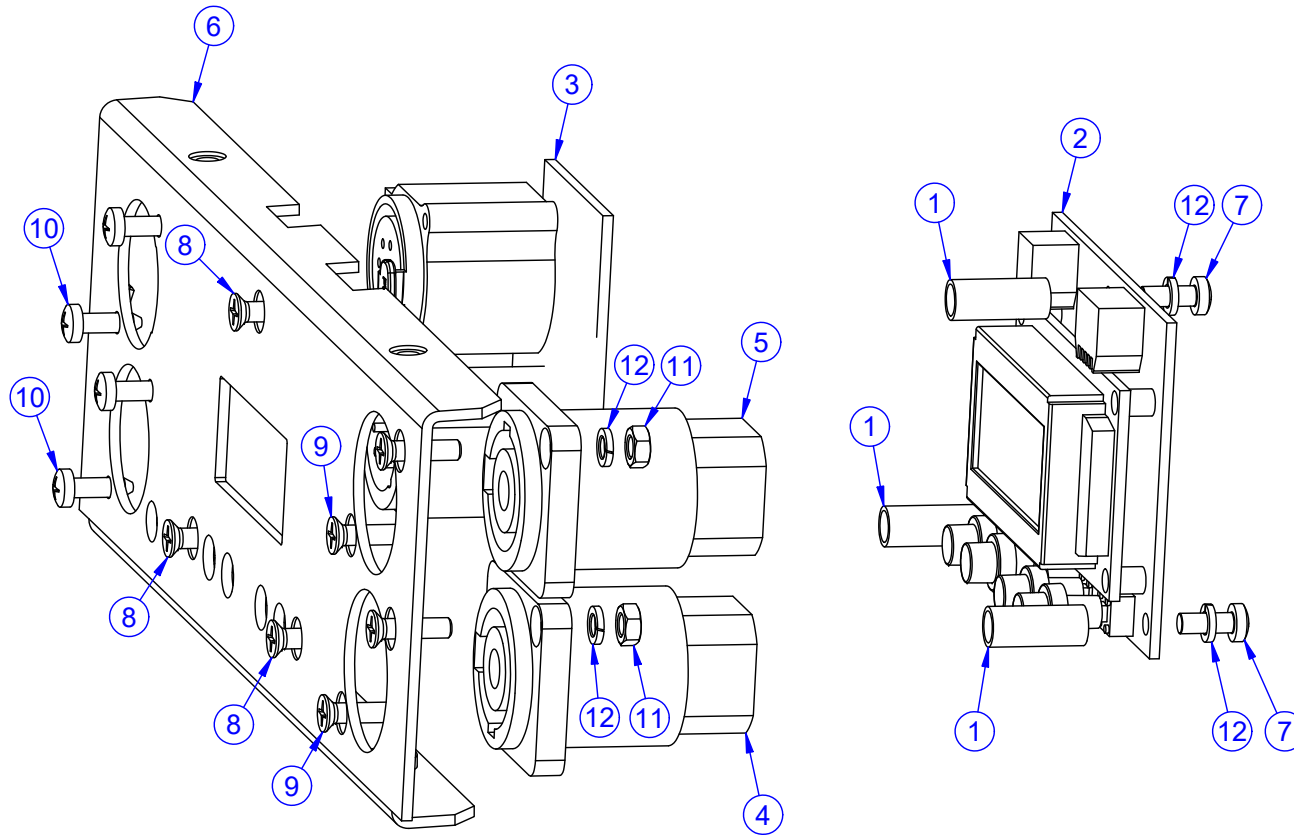
PRODUCT: Robin LEDBeam 150		
TITLE: <b>Holder of axes - part 2</b>		
DOCUMENT: 99015240		
VERSION: 1	DATE: 01.06.2017	SHEET: 08 OF 12



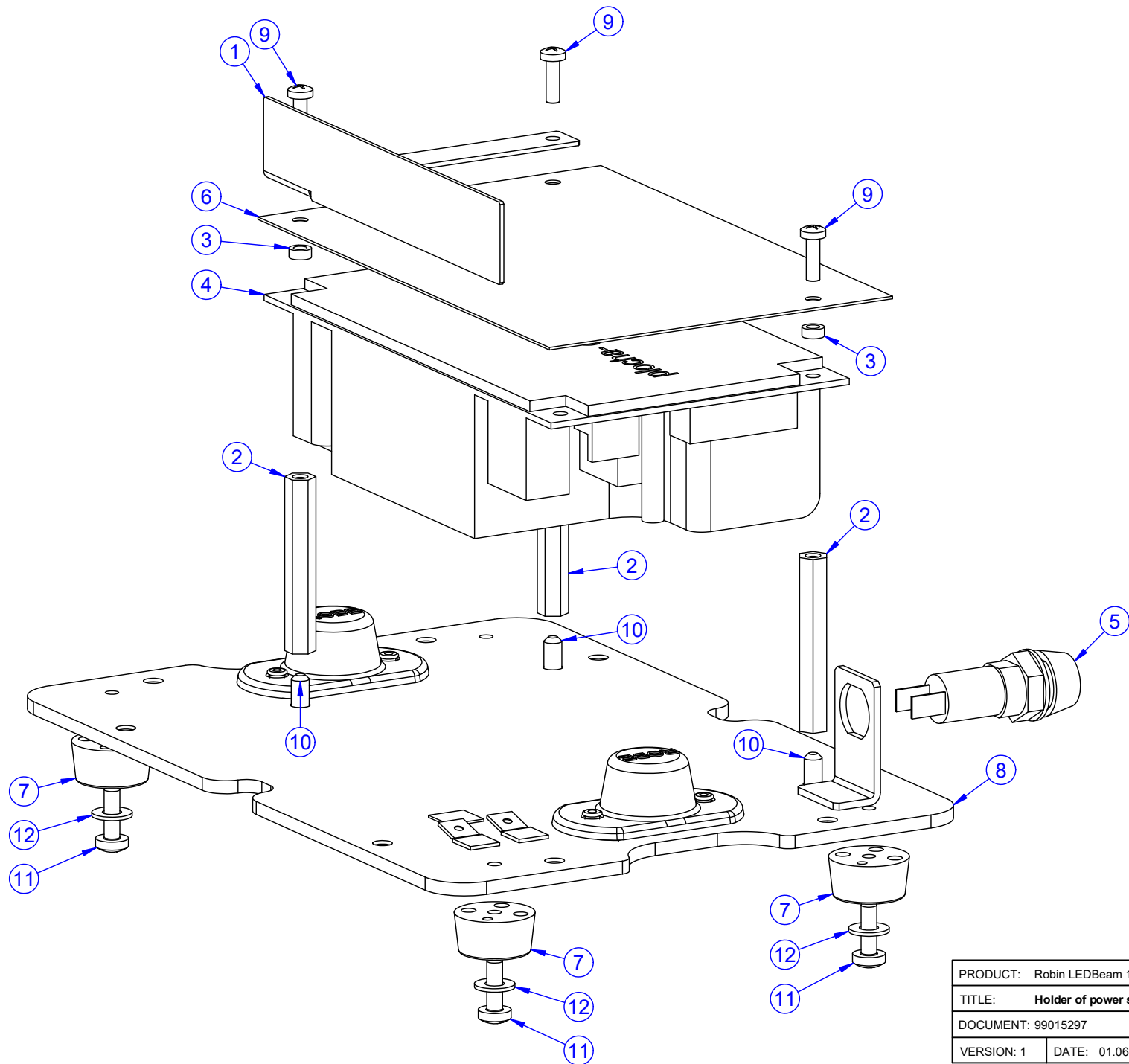
PRODUCT: Robin LEDBeam 150		
TITLE: <b>Arm of axe "Y" - exploded</b>		
DOCUMENT: 99015240		
VERSION: 1	DATE: 01.06.2017	SHEET: 09 OF 12



PRODUCT: Robin LEDBeam 150		
TITLE: <b>Explode of base</b>		
DOCUMENT: 99015241		
VERSION: 1	DATE: 01.06.2017	SHEET: 10 OF 12



PRODUCT: Robin LEDBeam 150		
TITLE: Panel of connectors		
DOCUMENT: 99015299		
VERSION: 1	DATE: 01.06.2017	SHEET: 11 OF 12



PRODUCT: Robin LEDBeam 150		
TITLE: <b>Holder of power supply</b>		
DOCUMENT: 99015297		
VERSION: 1	DATE: 01.06.2017	SHEET: 12 OF 12