

Service manual

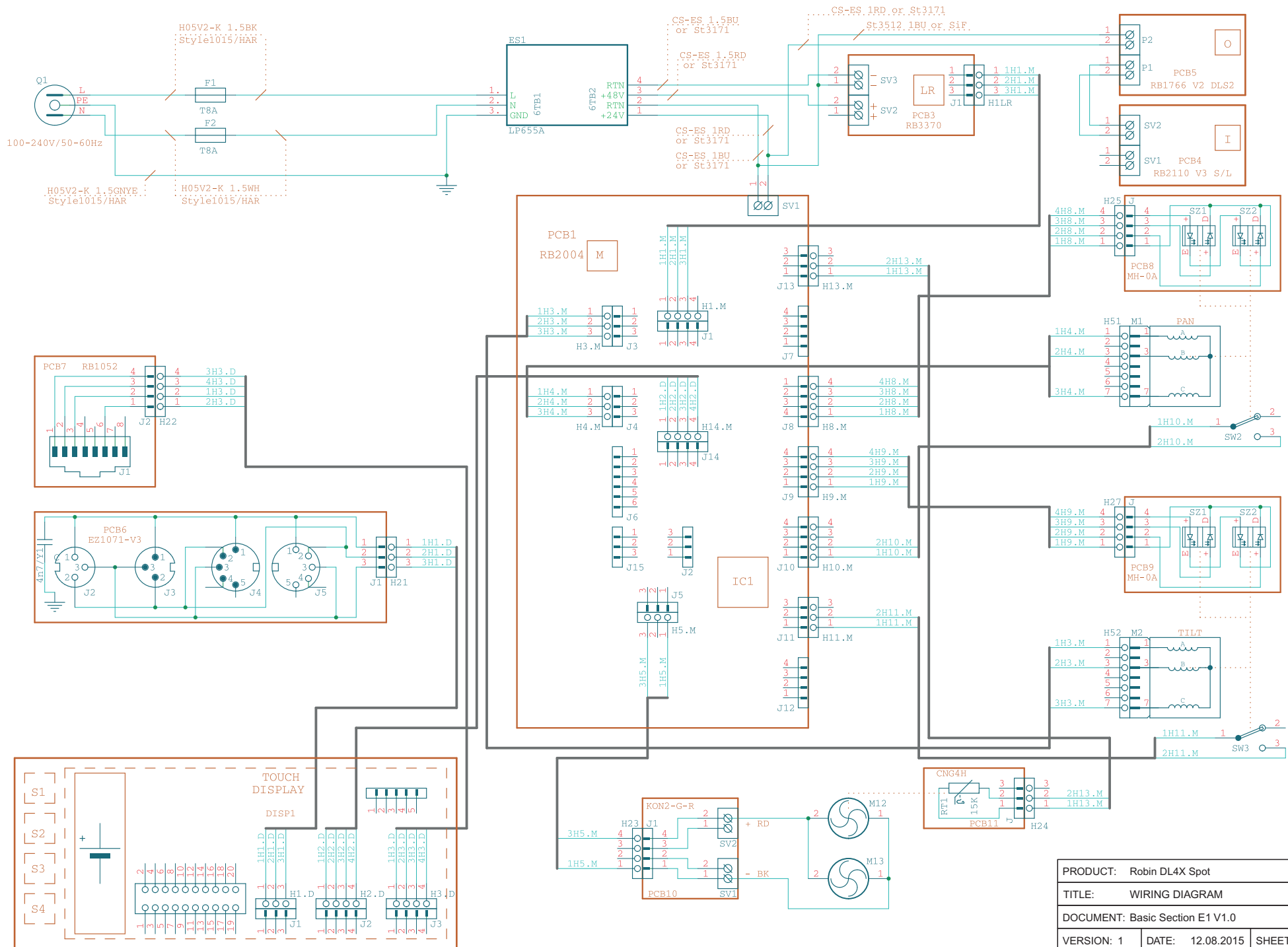
Robin DL4X Spot

Exploded Diagrams
Circuit Diagrams
Wiring Diagrams
Order Numbers

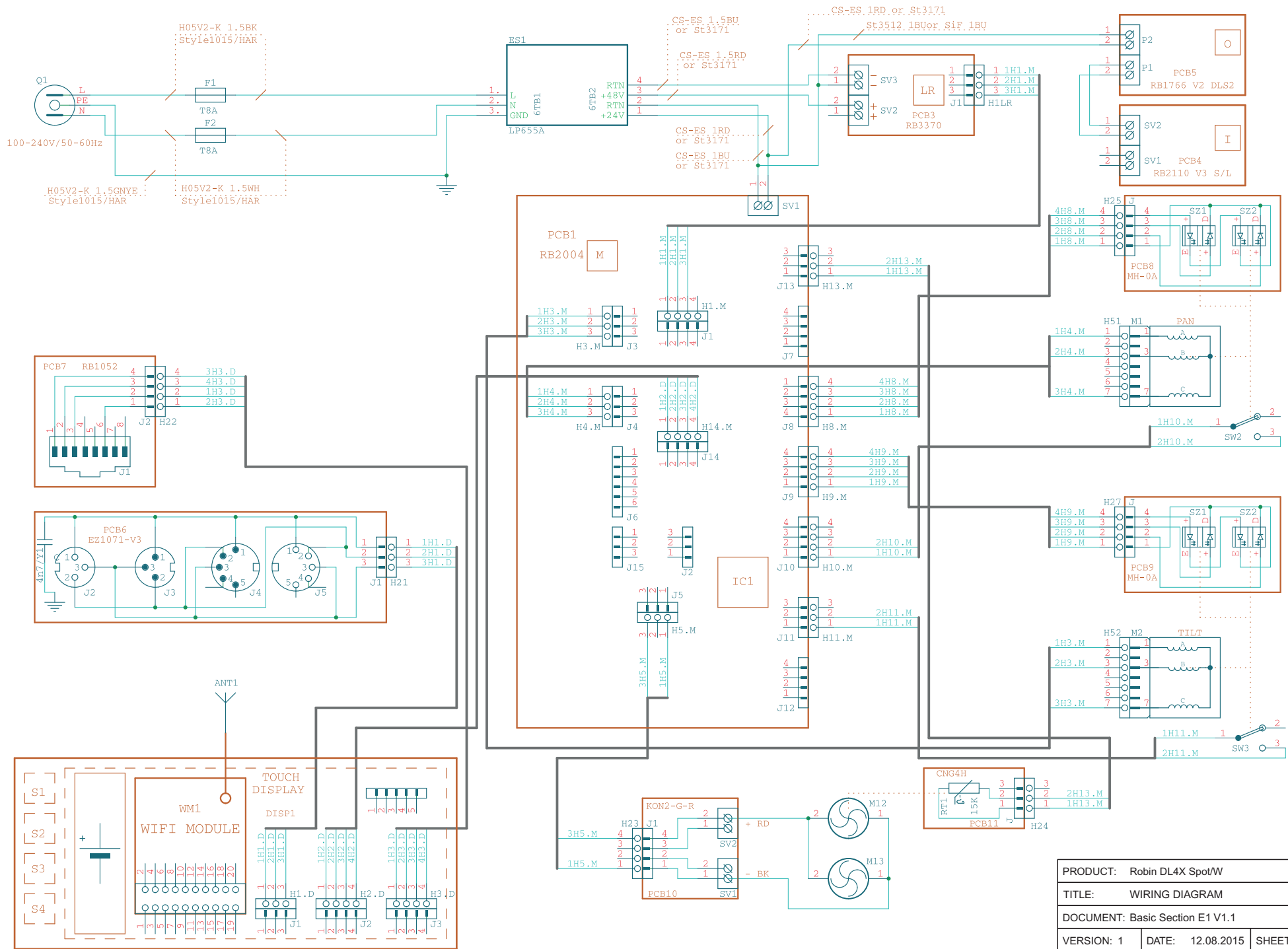
ROBE



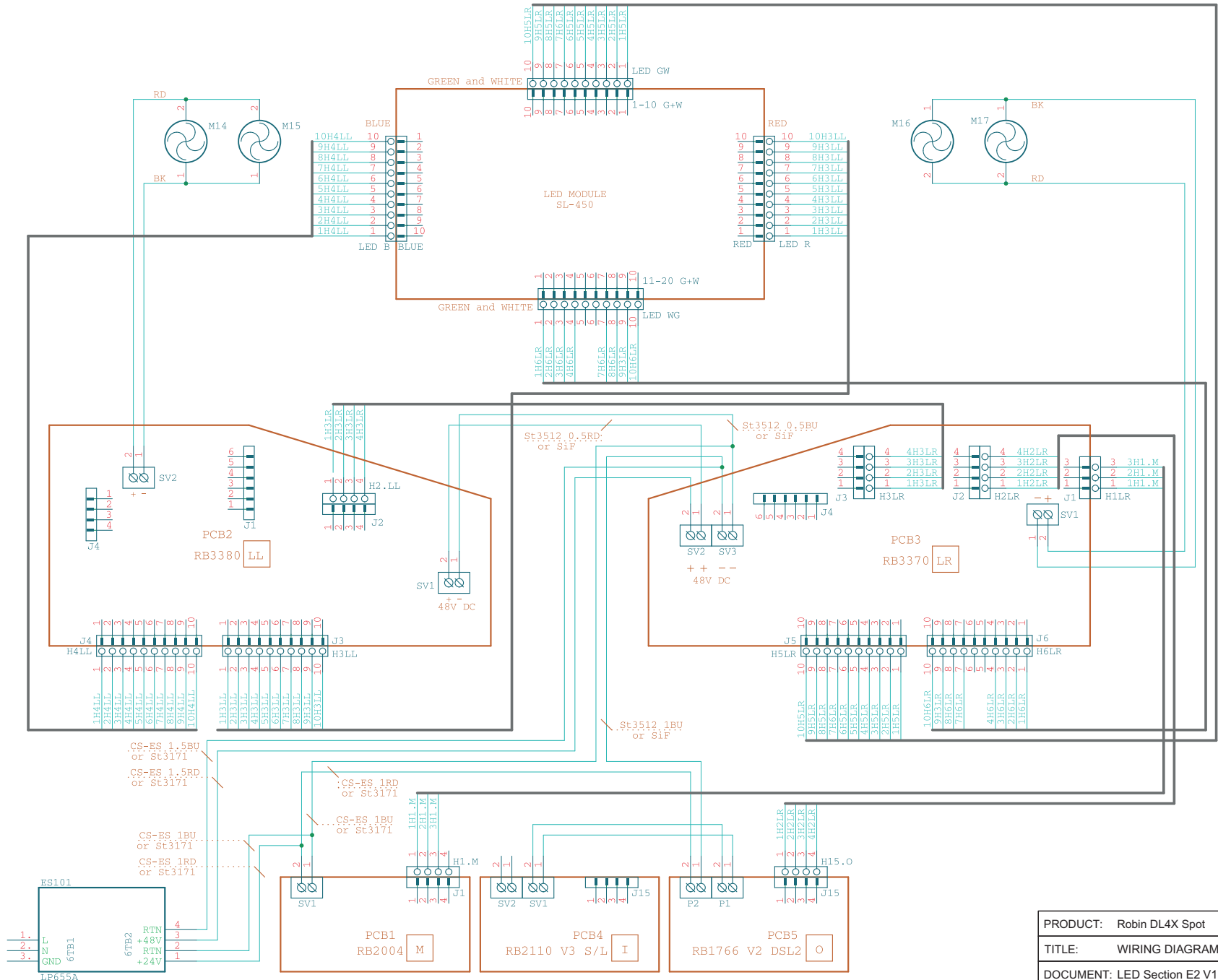
Version: 1



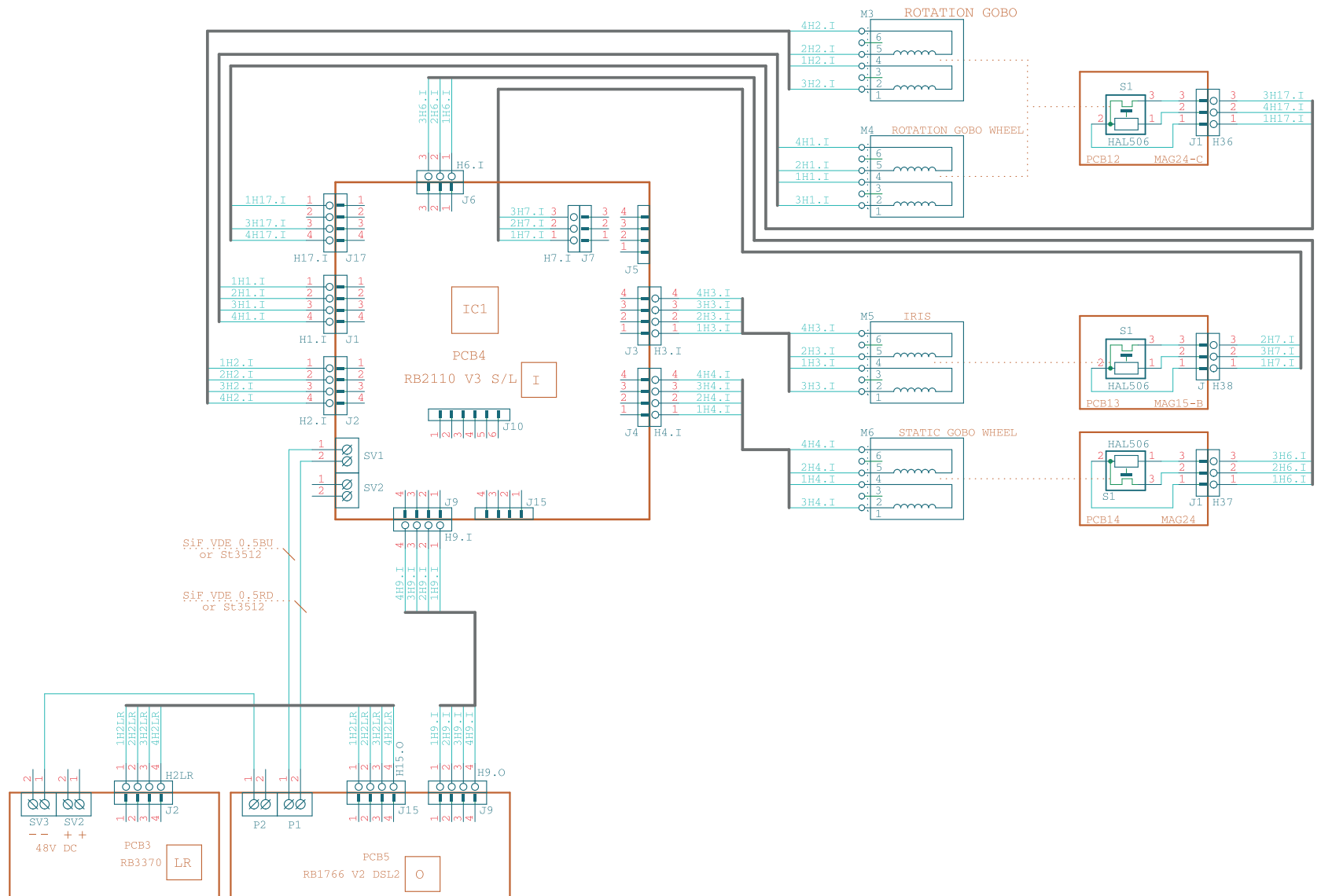
PRODUCT:	Robin DL4X Spot
TITLE:	WIRING DIAGRAM
DOCUMENT:	Basic Section E1 V1.0
VERSION:	1
DATE:	12.08.2015
SHEET:	01 OF 14



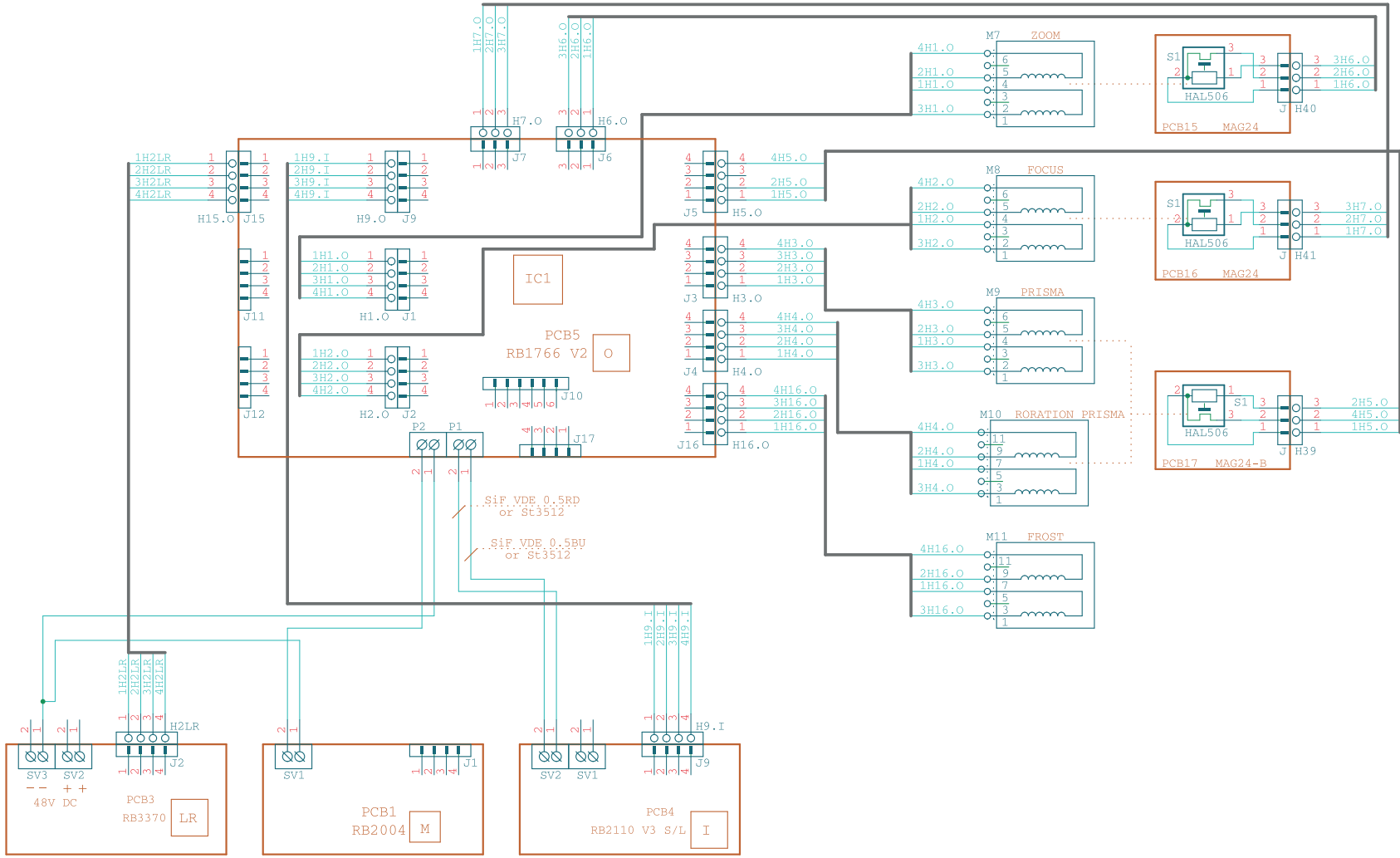
PRODUCT: Robbin DL4X Spot/W		
TITLE: WIRING DIAGRAM		
DOCUMENT: Basic Section E1 V1.1		
VERSION: 1	DATE: 12.08.2015	SHEET: 02 OF 14



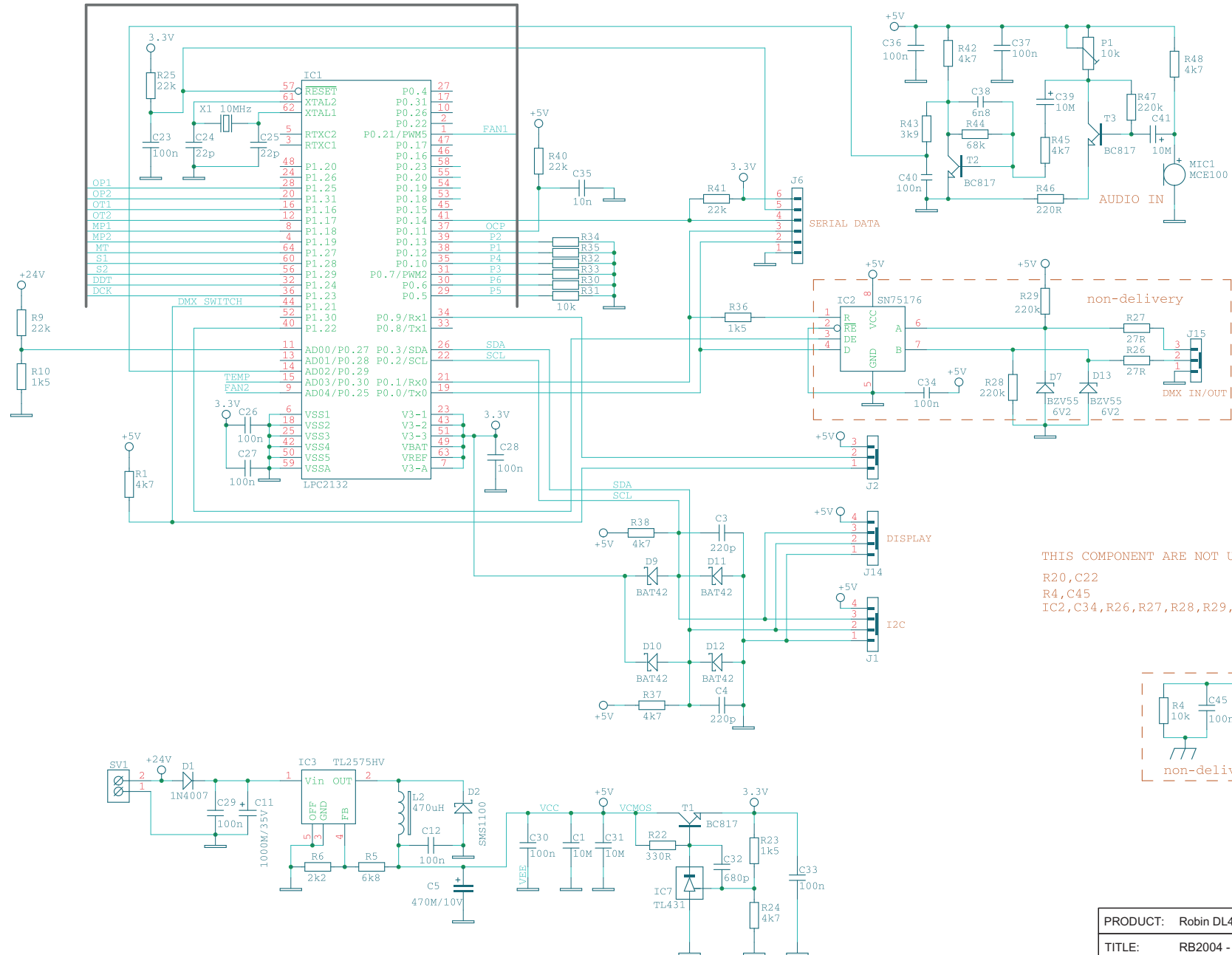
PRODUCT: Robin DL4X Spot		
TITLE: WIRING DIAGRAM		
DOCUMENT: LED Section E2 V1.0		
VERSION: 1	DATE: 12.08.2015	SHEET: 03 OF 14



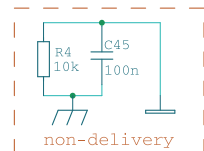
PRODUCT: Robin DL4X Spot		
TITLE: WIRING DIAGRAM		
DOCUMENT: Iris Section E3 V1.0		
VERSION: 1	DATE: 12.08.2015	SHEET: 04 OF 14



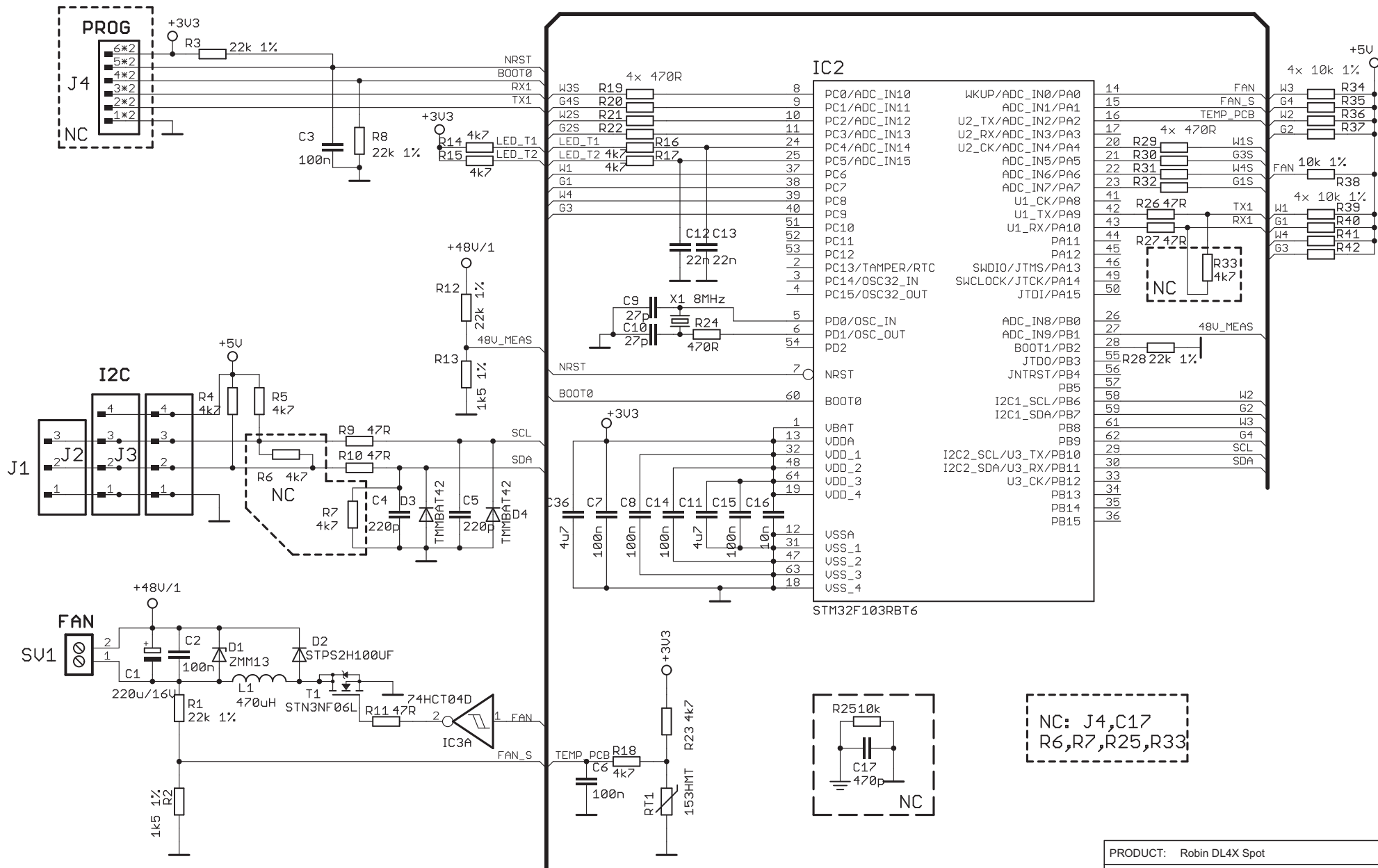
PRODUCT: Robin DL4X Spot		
TITLE: WIRING DIAGRAM		
DOCUMENT: Zoom Section E4 V1.0		
VERSION: 1	DATE: 12.08.2015	SHEET: 05 OF 14



THIS COMPONENT ARE NOT USED
 R20, C22
 R4, C45
 IC2, C34, R26, R27, R28, R29, D7, D13, J15

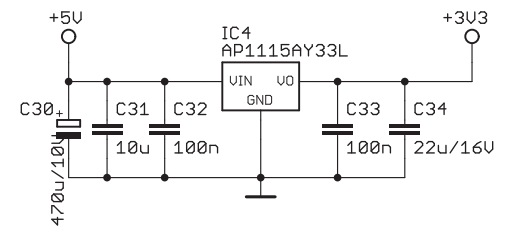
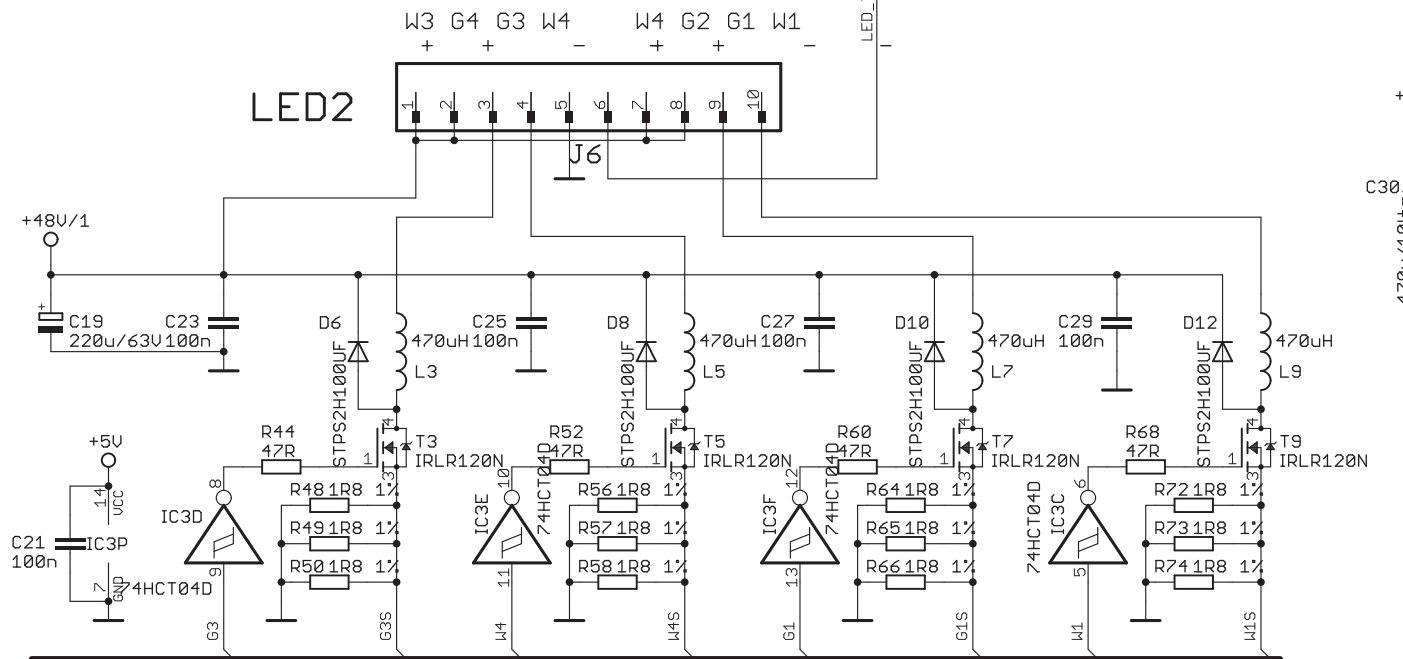
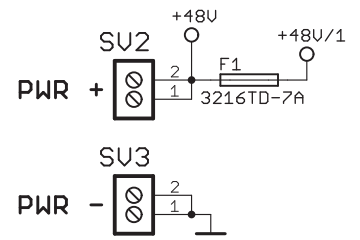
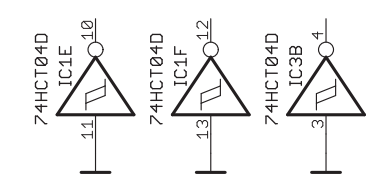
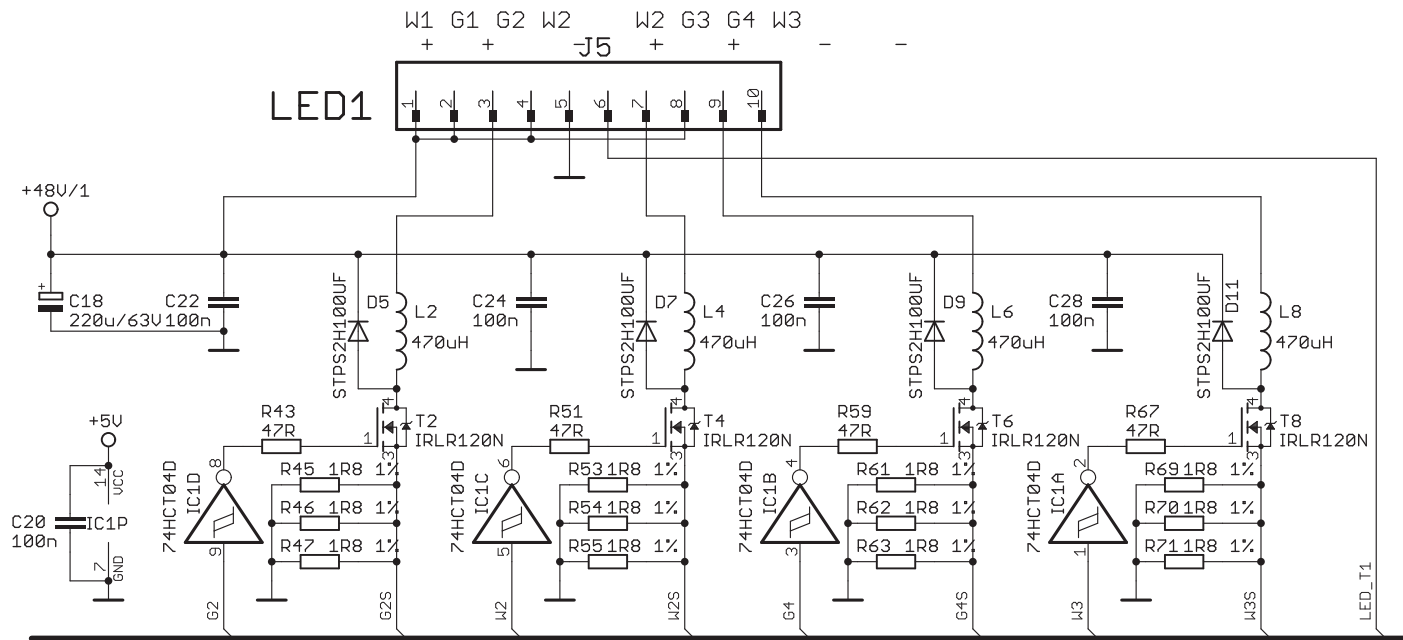


PRODUCT: Robin DL4X Spot		
TITLE: RB2004 - part 1		
DOCUMENT: CIRCUIT DIAGRAM		
VERSION: 1	DATE: 12.08.2015	SHEET: 06 OF 14



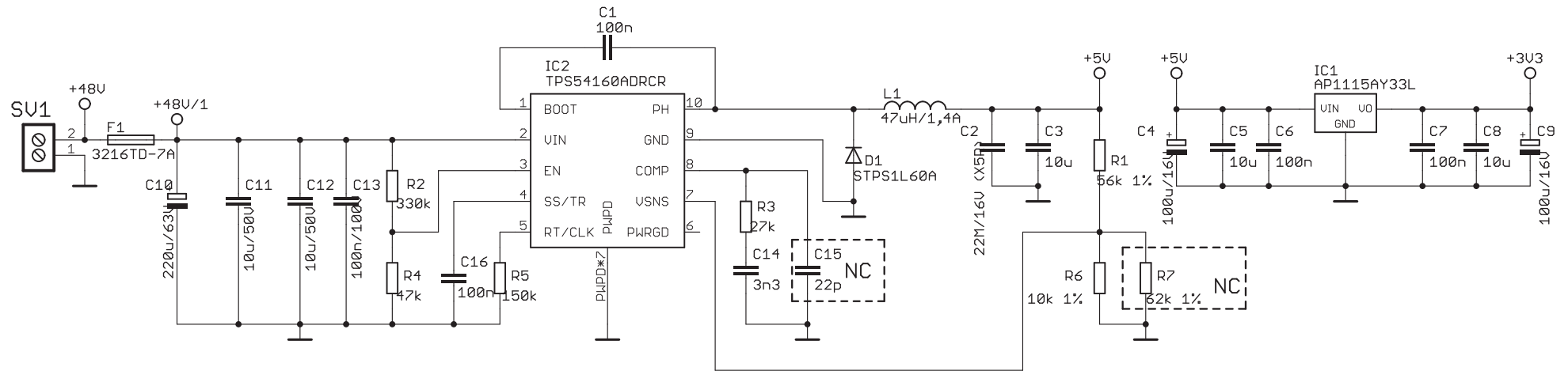
NC: J4,C17
R6,R7,R25,R33

PRODUCT: Robin DL4X Spot		
TITLE: RB3370 - part 1		
DOCUMENT: CIRCUIT DIAGRAM		
VERSION: 1	DATE: 12.08.2015	SHEET: 08 OF 14



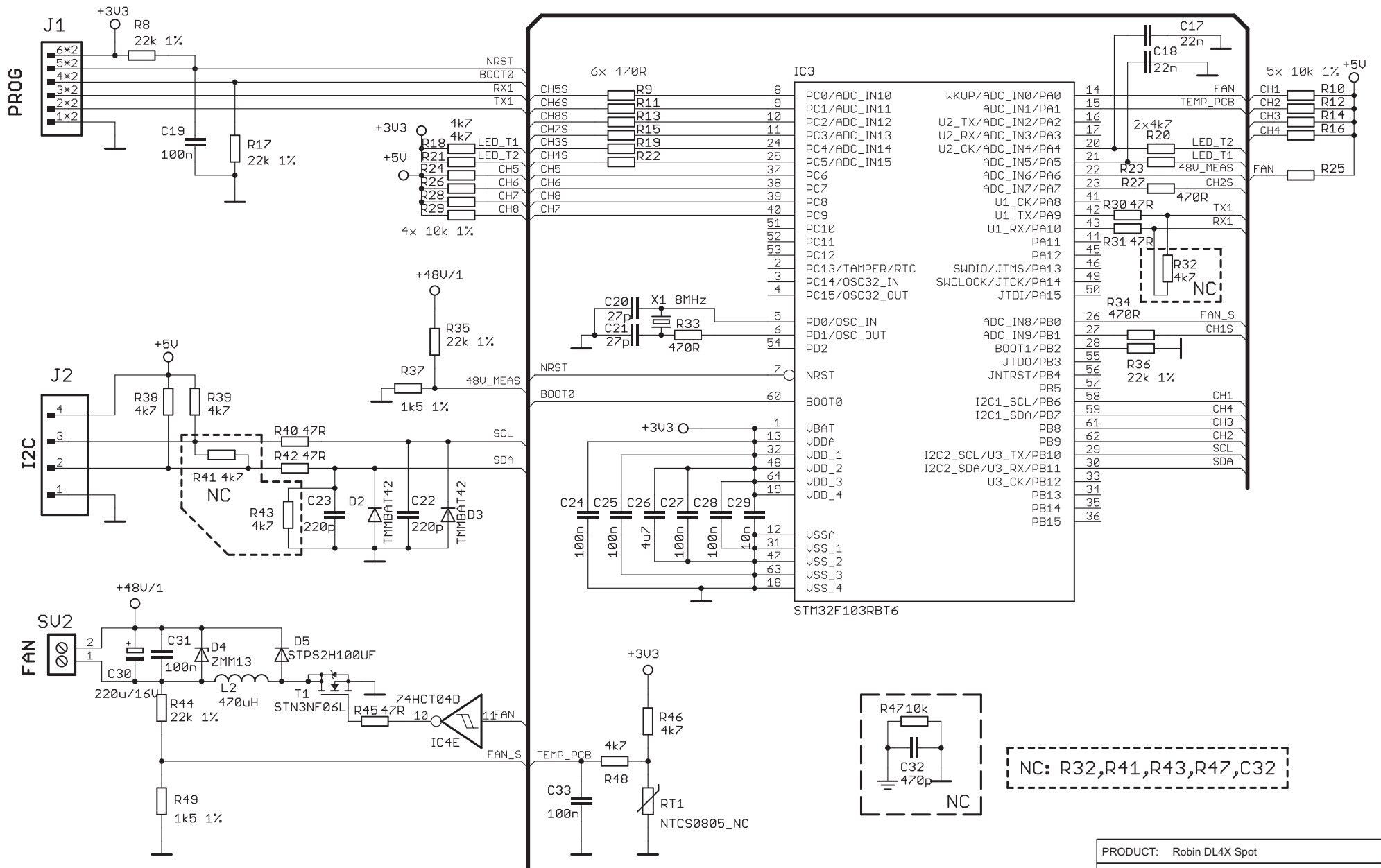
NC:

PRODUCT: Robin DL4X Spot		
TITLE: RB3370 - part 2		
DOCUMENT: CIRCUIT DIAGRAM		
VERSION: 1	DATE: 12.08.2015	SHEET: 09 OF 14



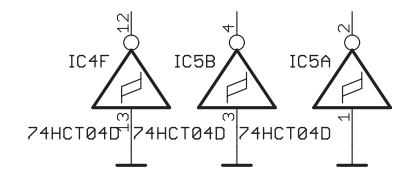
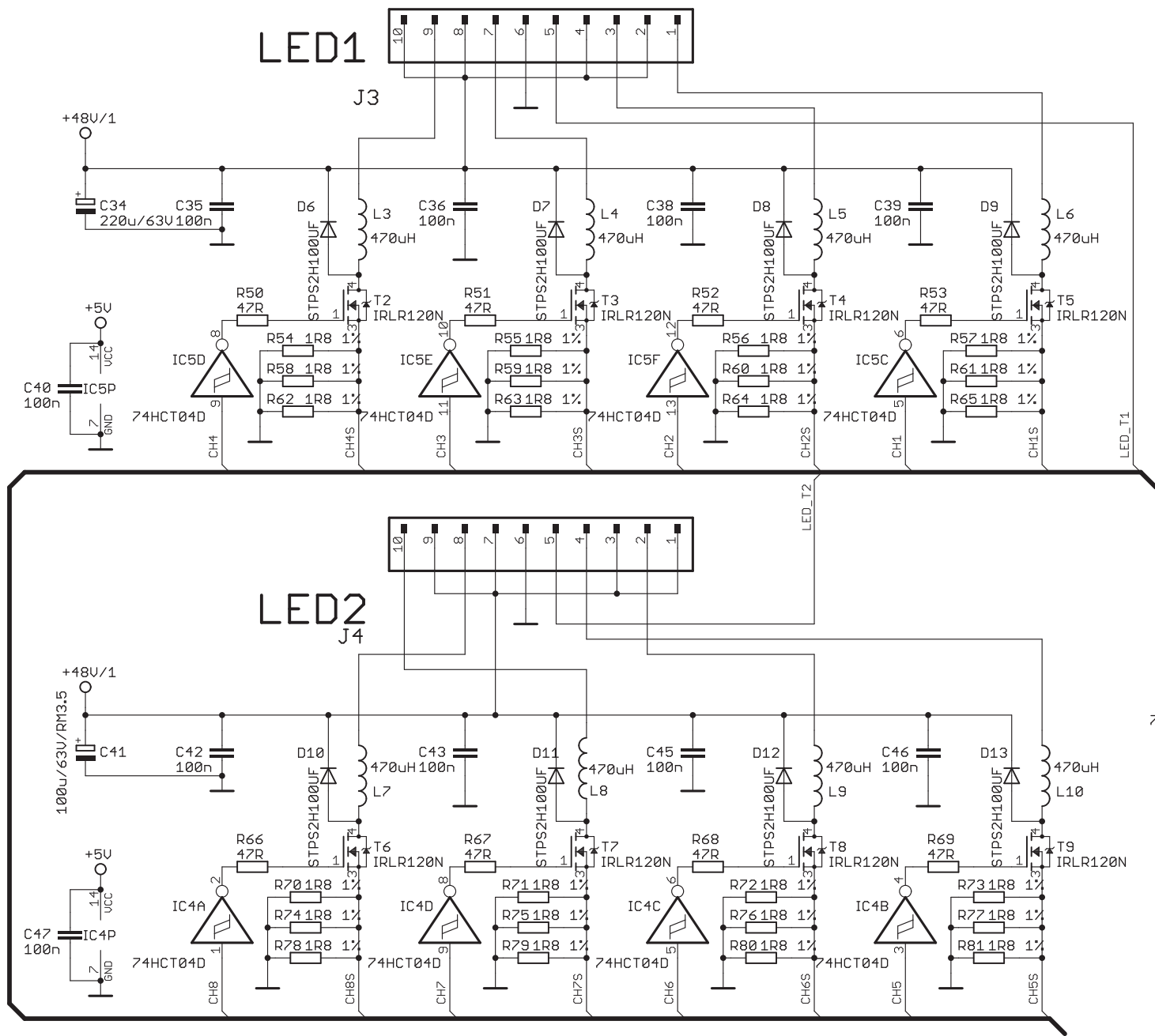
NC: R7,C15

PRODUCT: Robin DL4X Spot		
TITLE: RB3380 - part 1		
DOCUMENT: CIRCUIT DIAGRAM		
VERSION: 1	DATE: 12.08.2015	SHEET: 10 OF 14

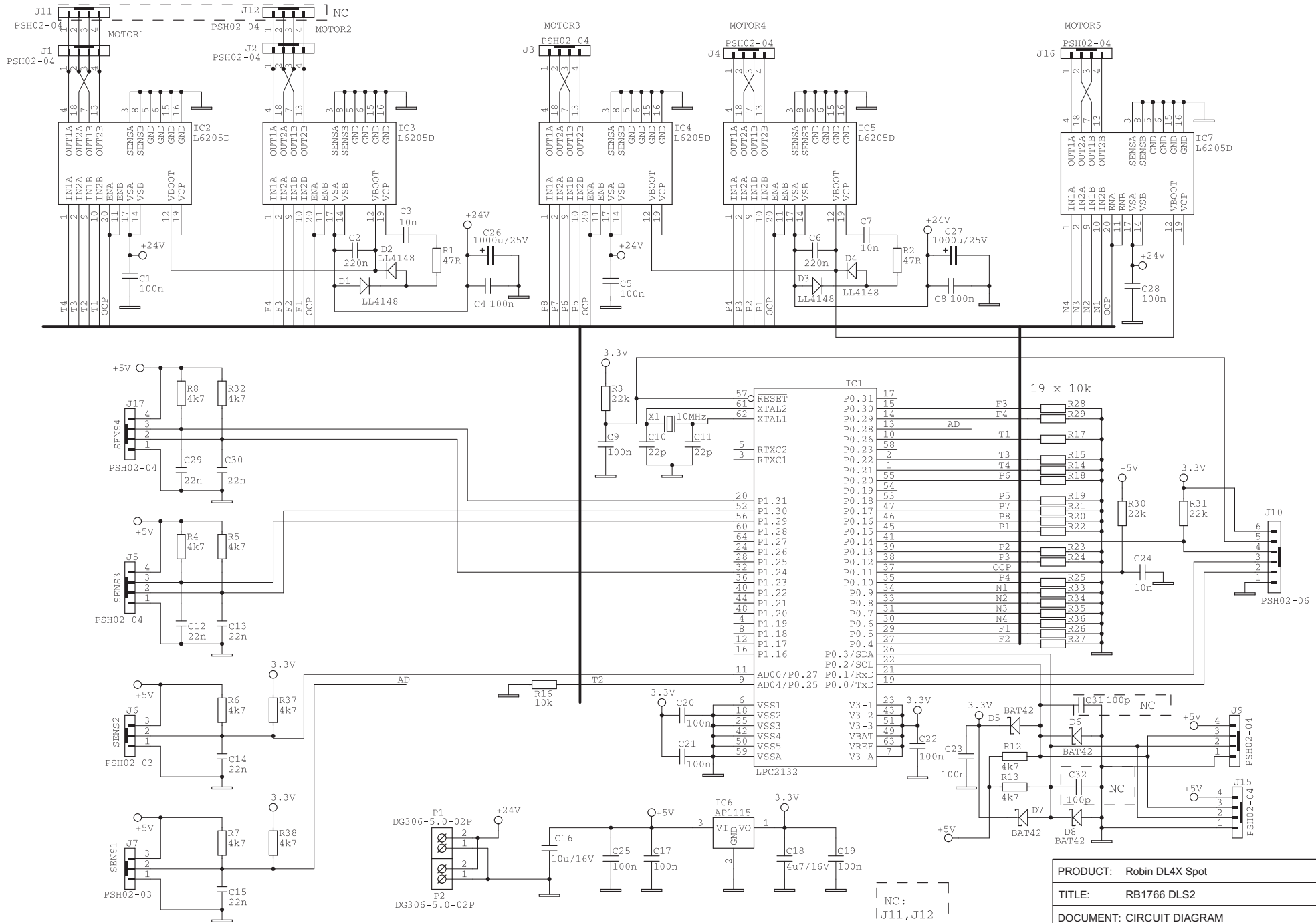


NC: R32,R41,R43,R47,C32

PRODUCT: Robin DL4X Spot		
TITLE: RB3380 - part 2		
DOCUMENT: CIRCUIT DIAGRAM		
VERSION: 1	DATE: 12.08.2015	SHEET: 11 OF 14

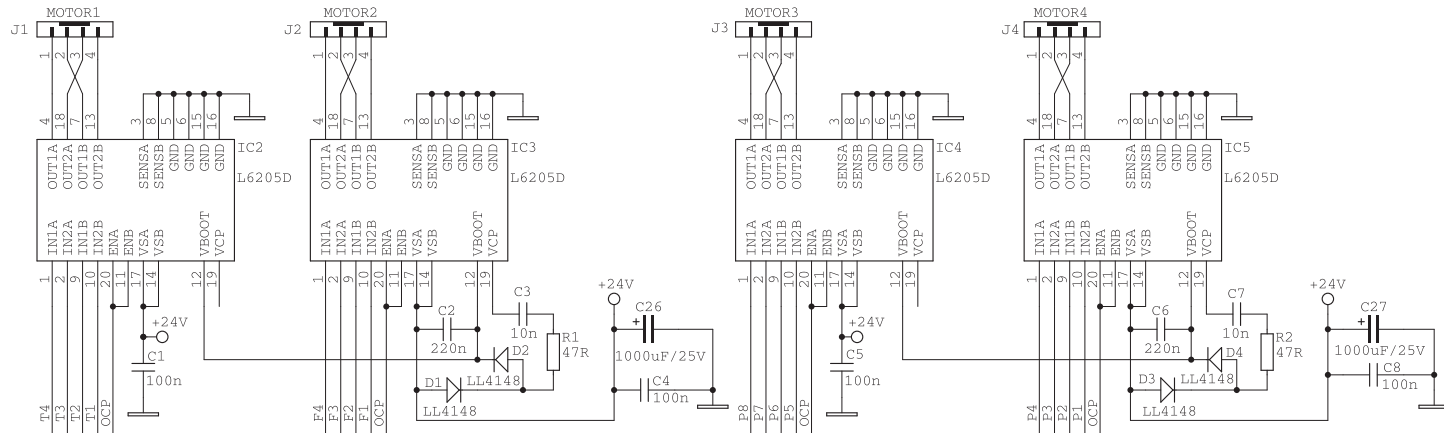


PRODUCT: Robin DL4X Spot		
TITLE: RB3380 - part 3		
DOCUMENT: CIRCUIT DIAGRAM		
VERSION: 1	DATE: 12.08.2015	SHEET: 12 OF 14

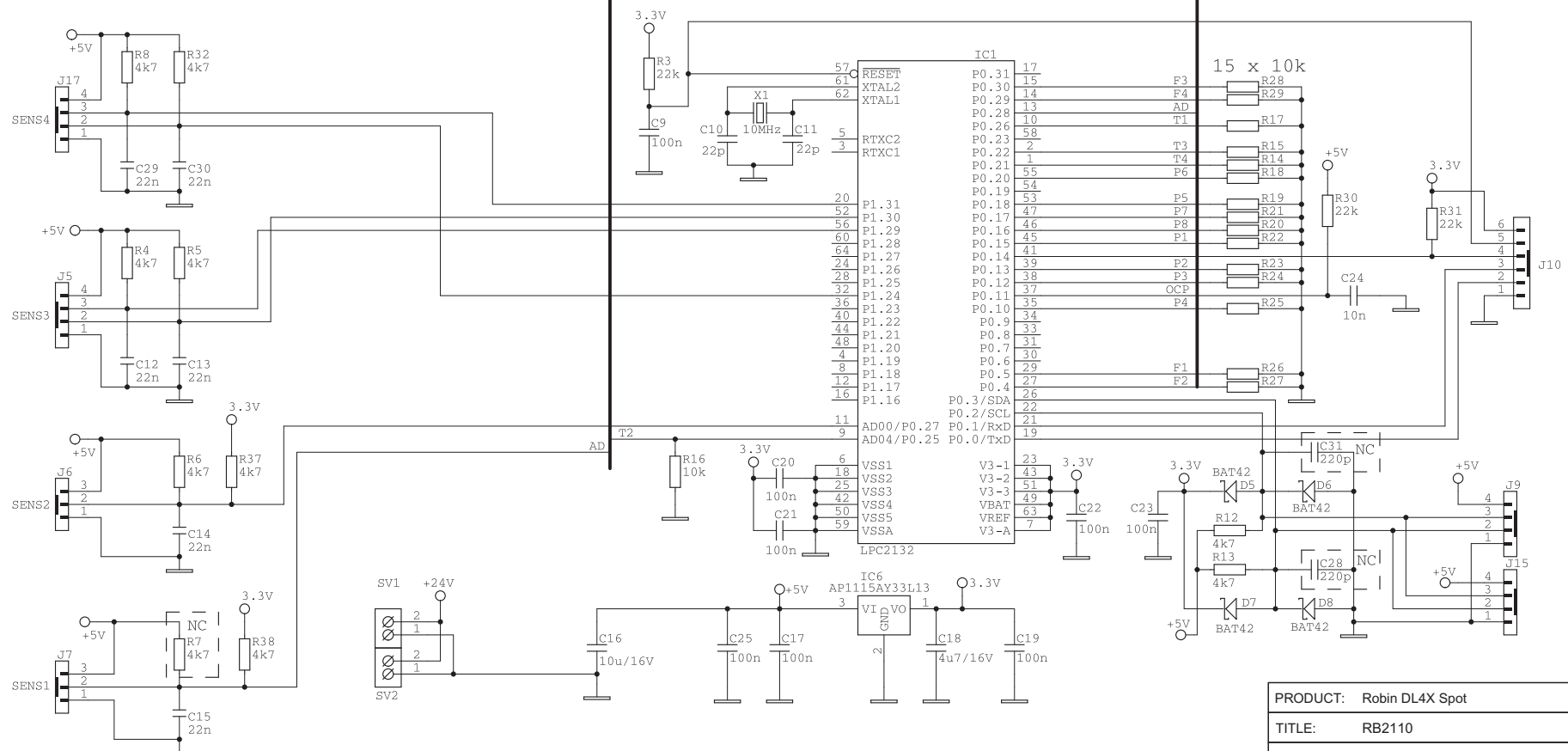


NC:
J11, J12
C31, C32

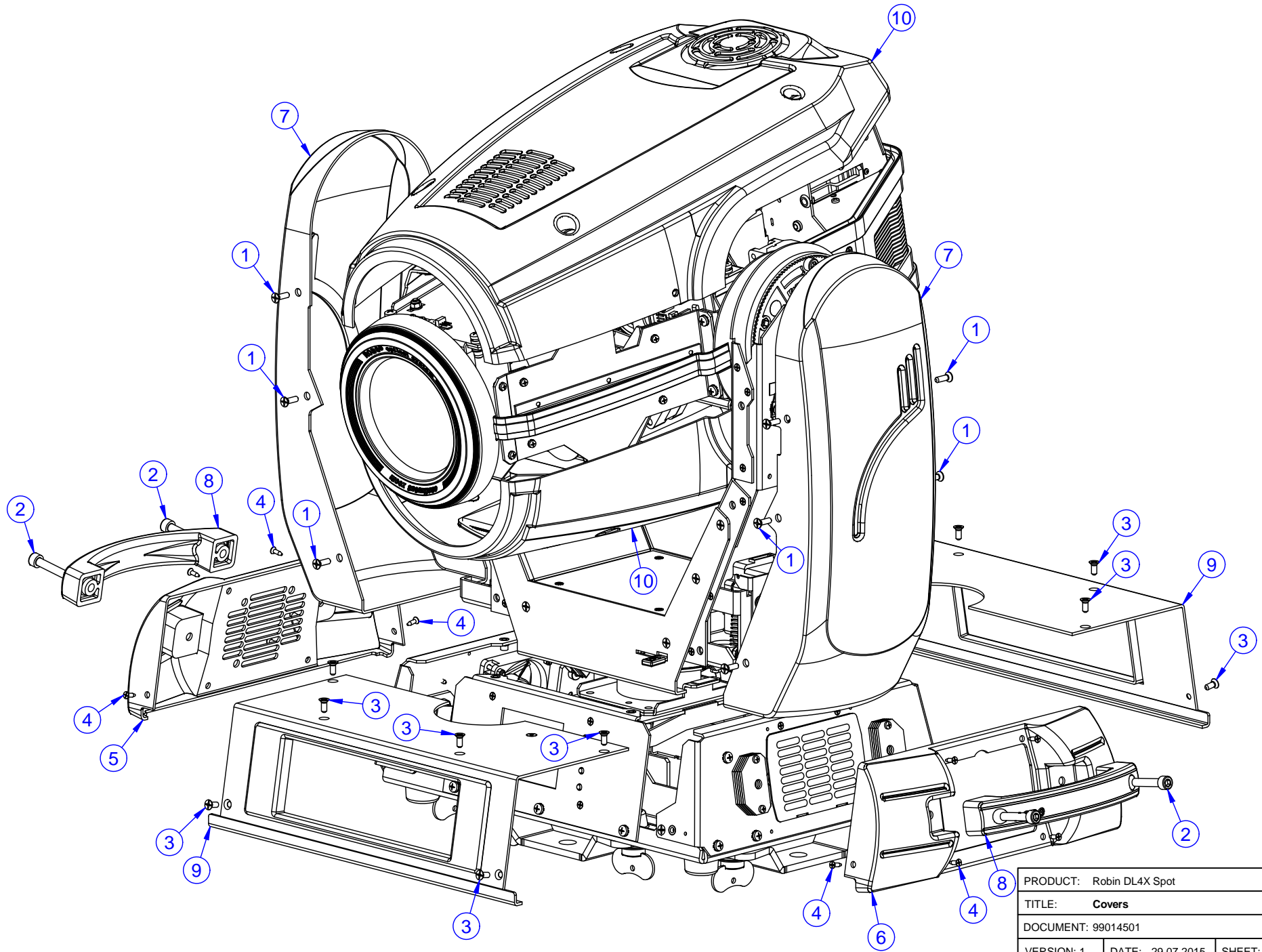
PRODUCT: Robin DL4X Spot		
TITLE: RB1766 DLS2		
DOCUMENT: CIRCUIT DIAGRAM		
VERSION: 1	DATE: 12.08.2015	SHEET: 13 OF 14



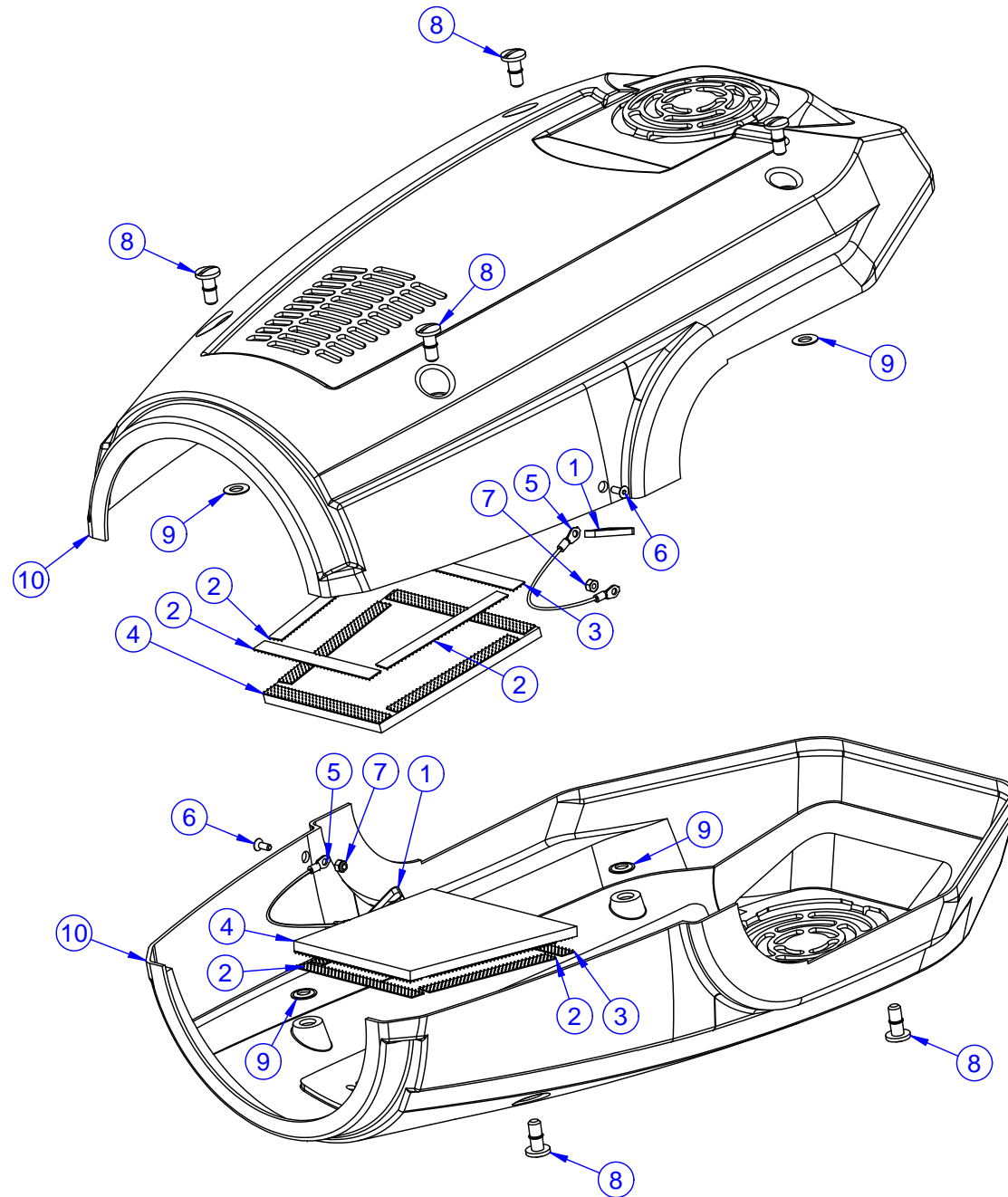
NC:
R7, C28, C31



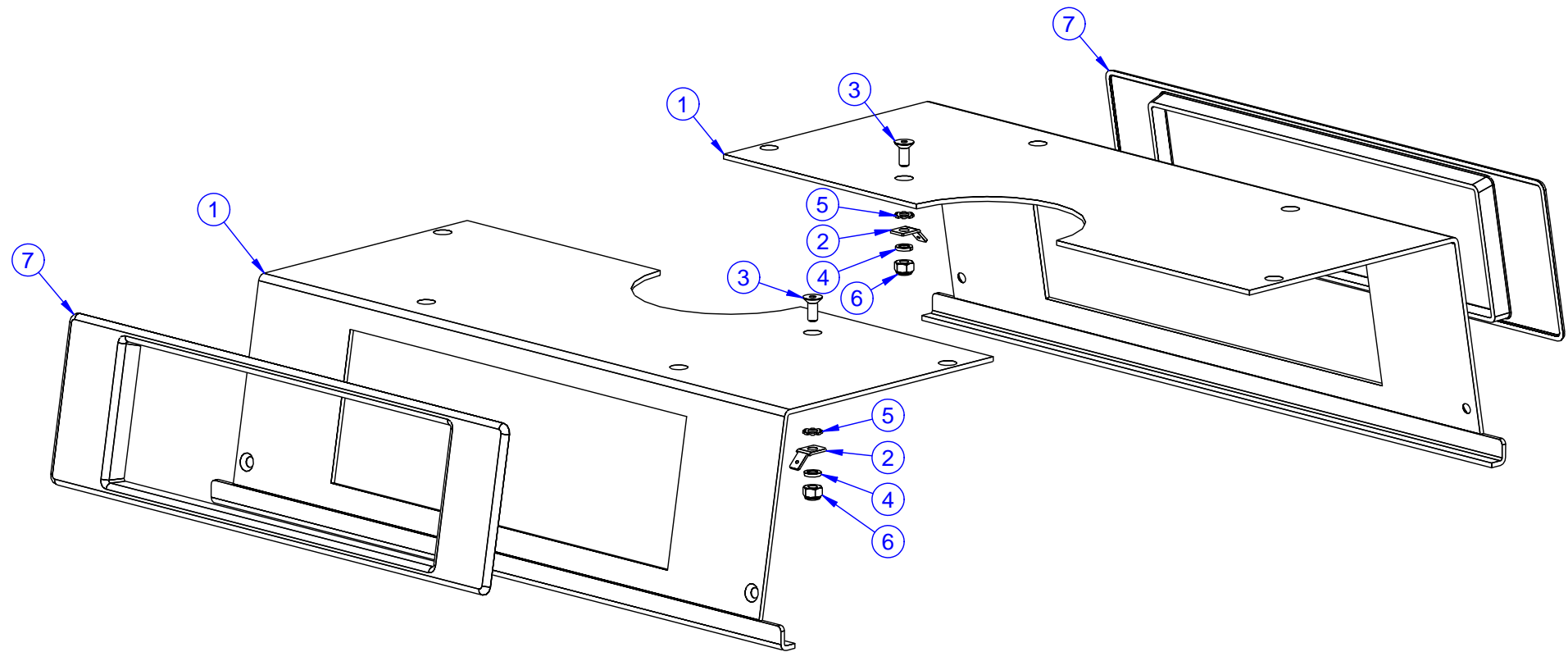
PRODUCT: Robin DL4X Spot		
TITLE: RB2110		
DOCUMENT: CIRCUIT DIAGRAM		
VERSION: 1	DATE: 12.08.2015	SHEET: 14 OF 14



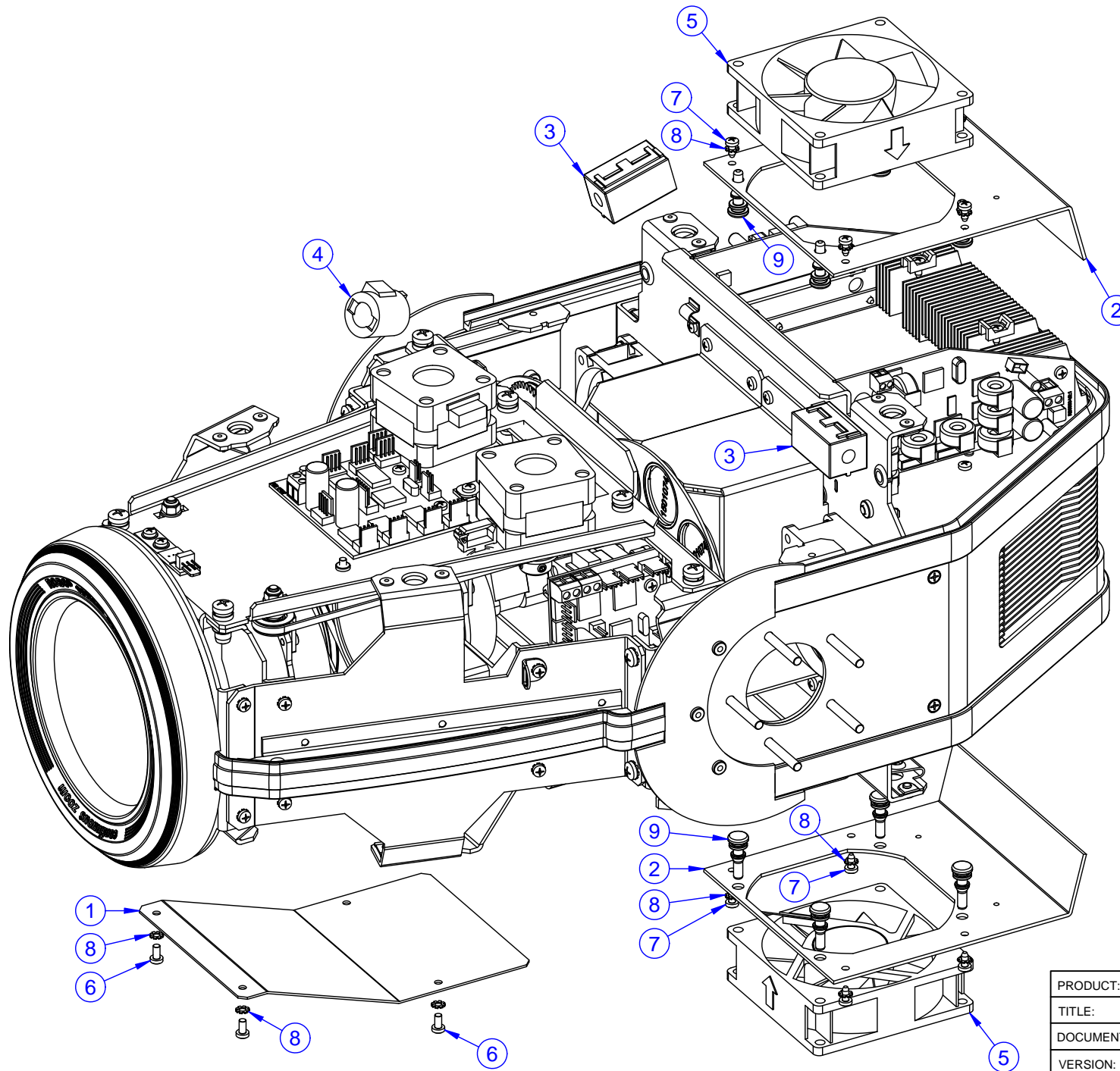
PRODUCT: Robin DL4X Spot		
TITLE: Covers		
DOCUMENT: 99014501		
VERSION: 1	DATE: 29.07.2015	SHEET: 01 OF 25



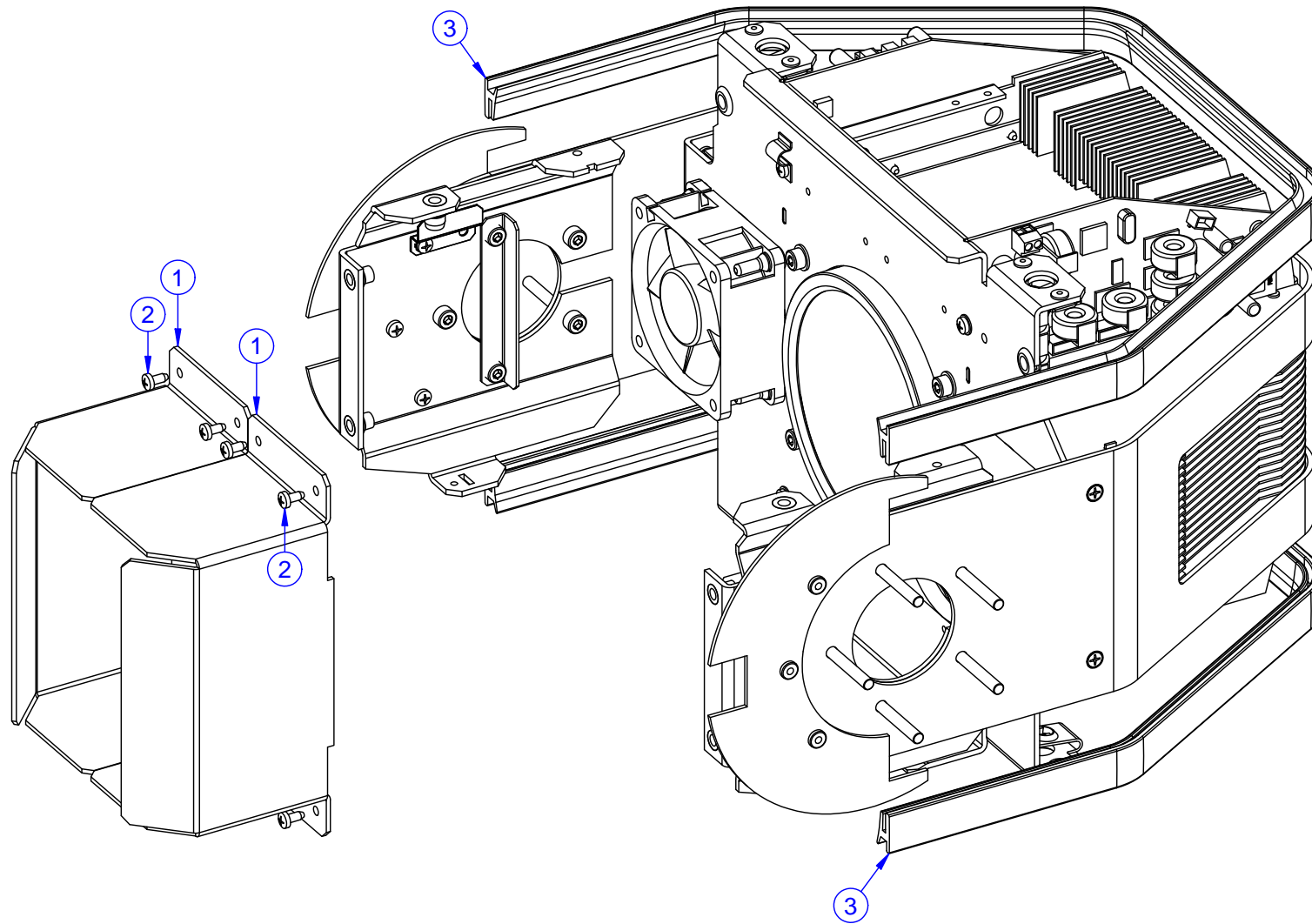
PRODUCT: Robin DL4X Spot		
TITLE: Covers of head		
DOCUMENT: 99013461		
VERSION: 1	DATE: 29.07.2015	SHEET: 02 OF 25



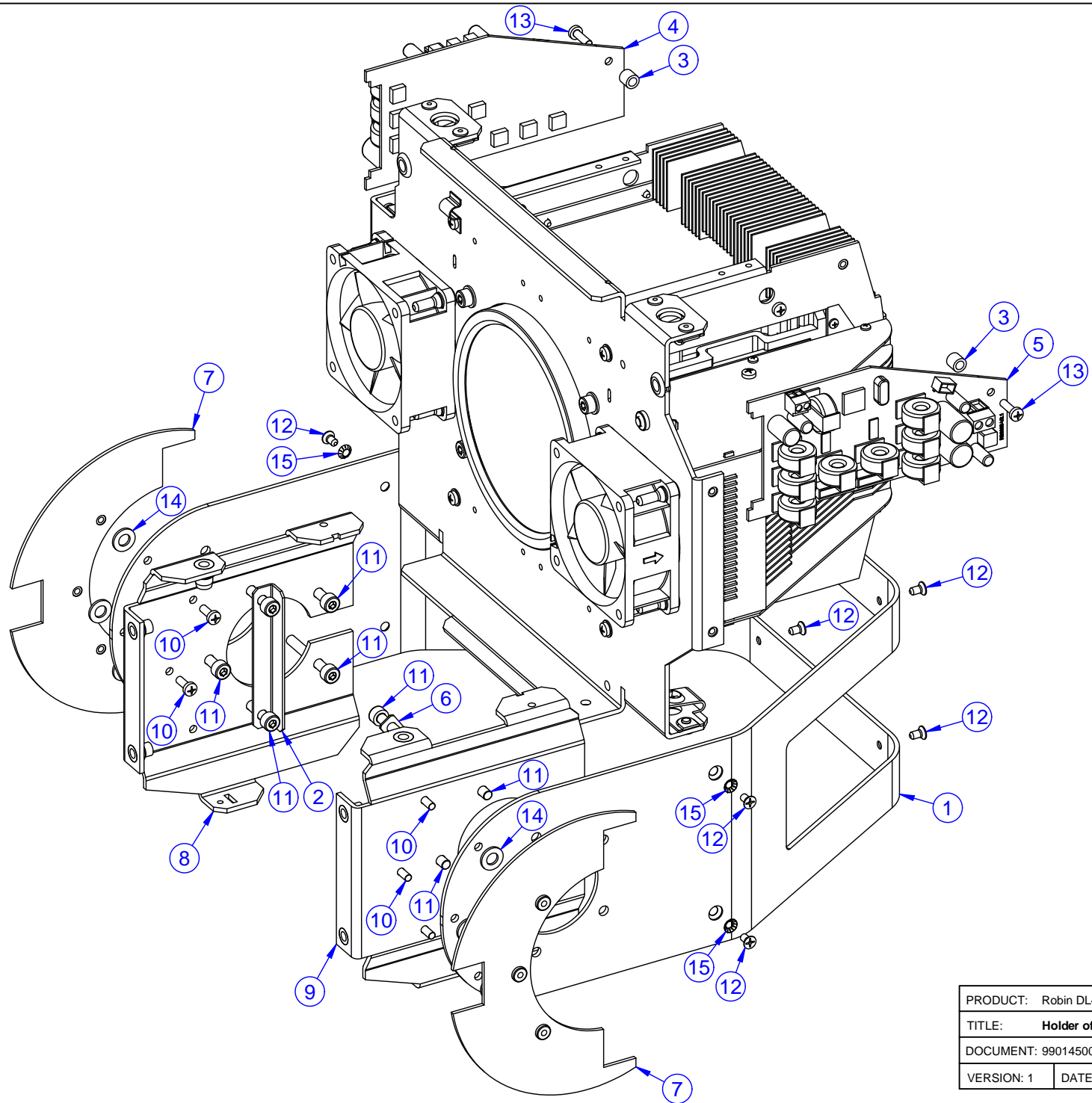
PRODUCT: Robin DL4X Spot		
TITLE: Covers of base		
DOCUMENT: 99013425		
VERSION: 1	DATE: 29.07.2015	SHEET: 03 OF 25



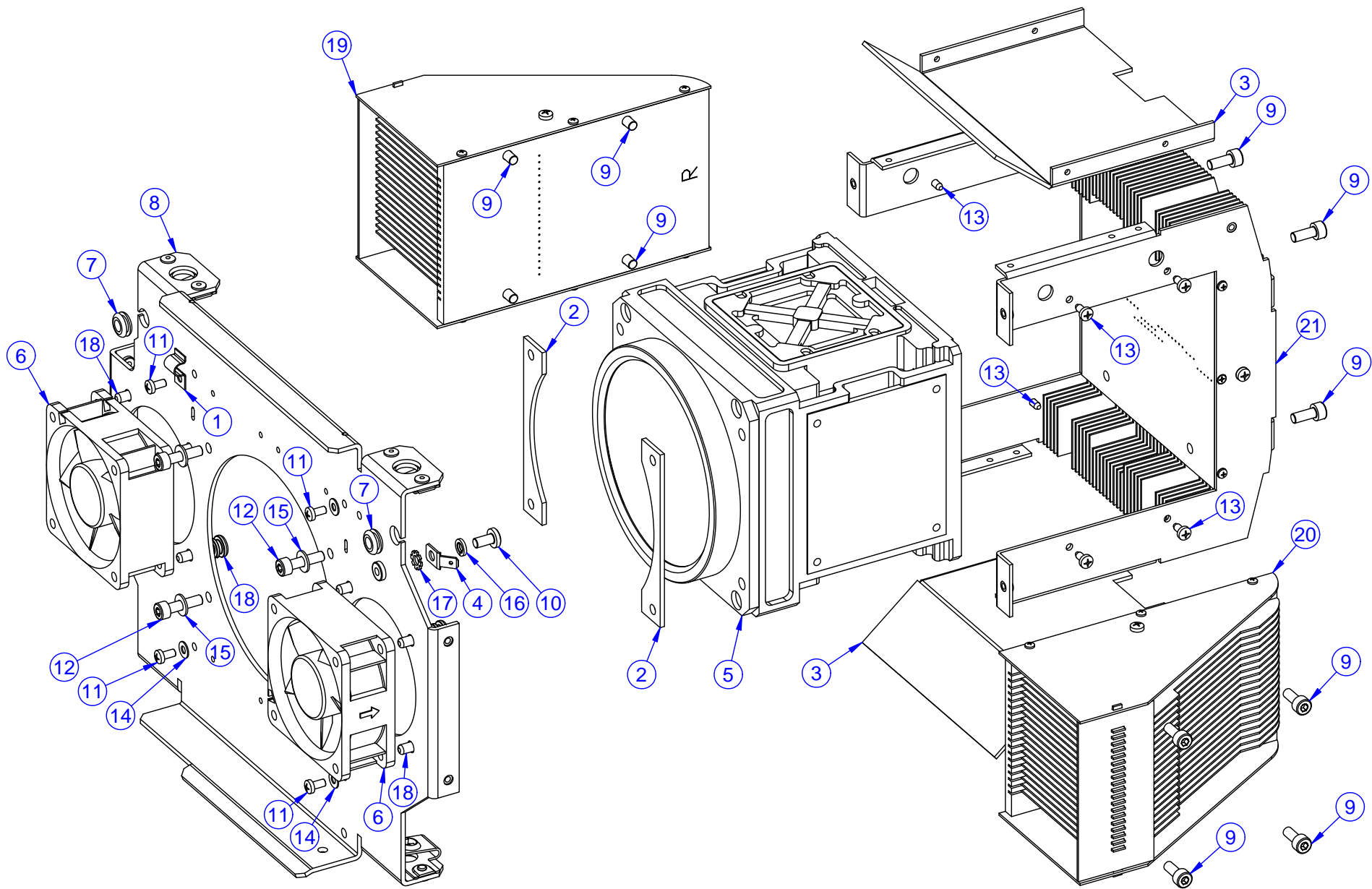
PRODUCT: Robin DL4X Spot		
TITLE: Assembly of head		
DOCUMENT: 99014500		
VERSION: 1	DATE: 29.07.2015	SHEET: 04 OF 25



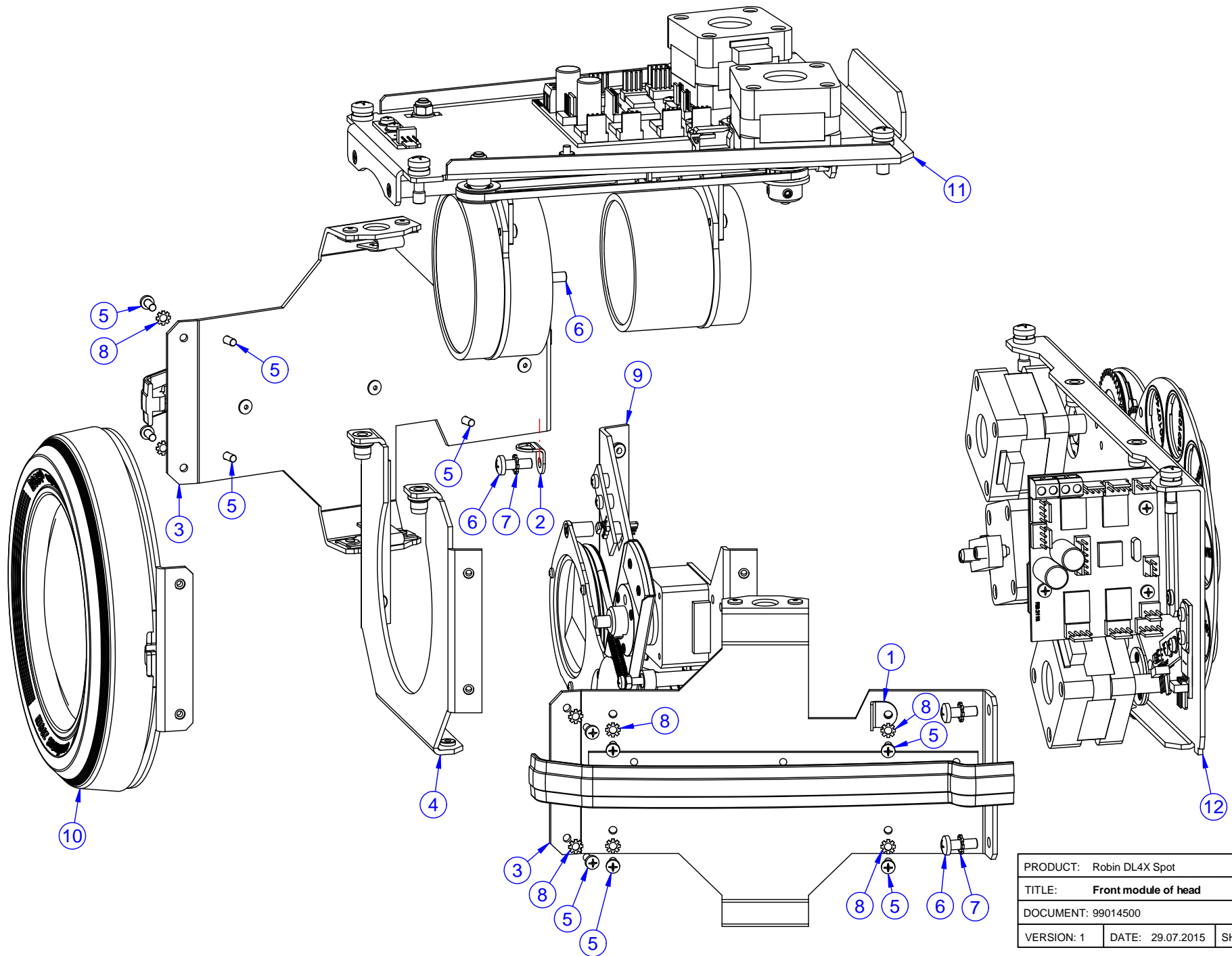
PRODUCT: Robin DL4X Spot		
TITLE: Connection of shielding		
DOCUMENT: 99014500		
VERSION: 1	DATE: 29.07.2015	SHEET: 05 OF 25



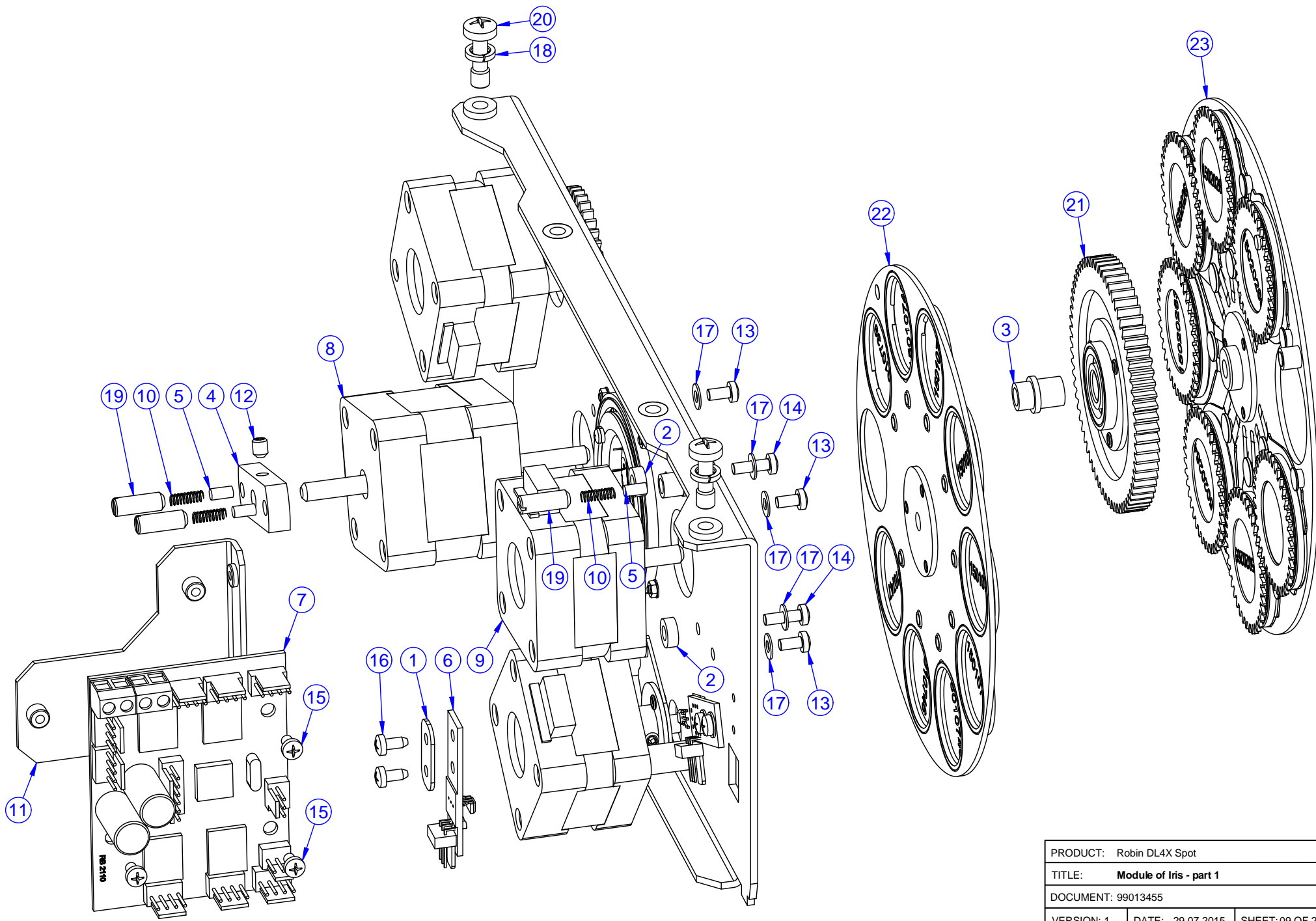
PRODUCT: Robin DL4X Spot		
TITLE: Holder of module LED		
DOCUMENT: 99014500		
VERSION: 1	DATE: 29.07.2015	SHEET: 06 OF 25



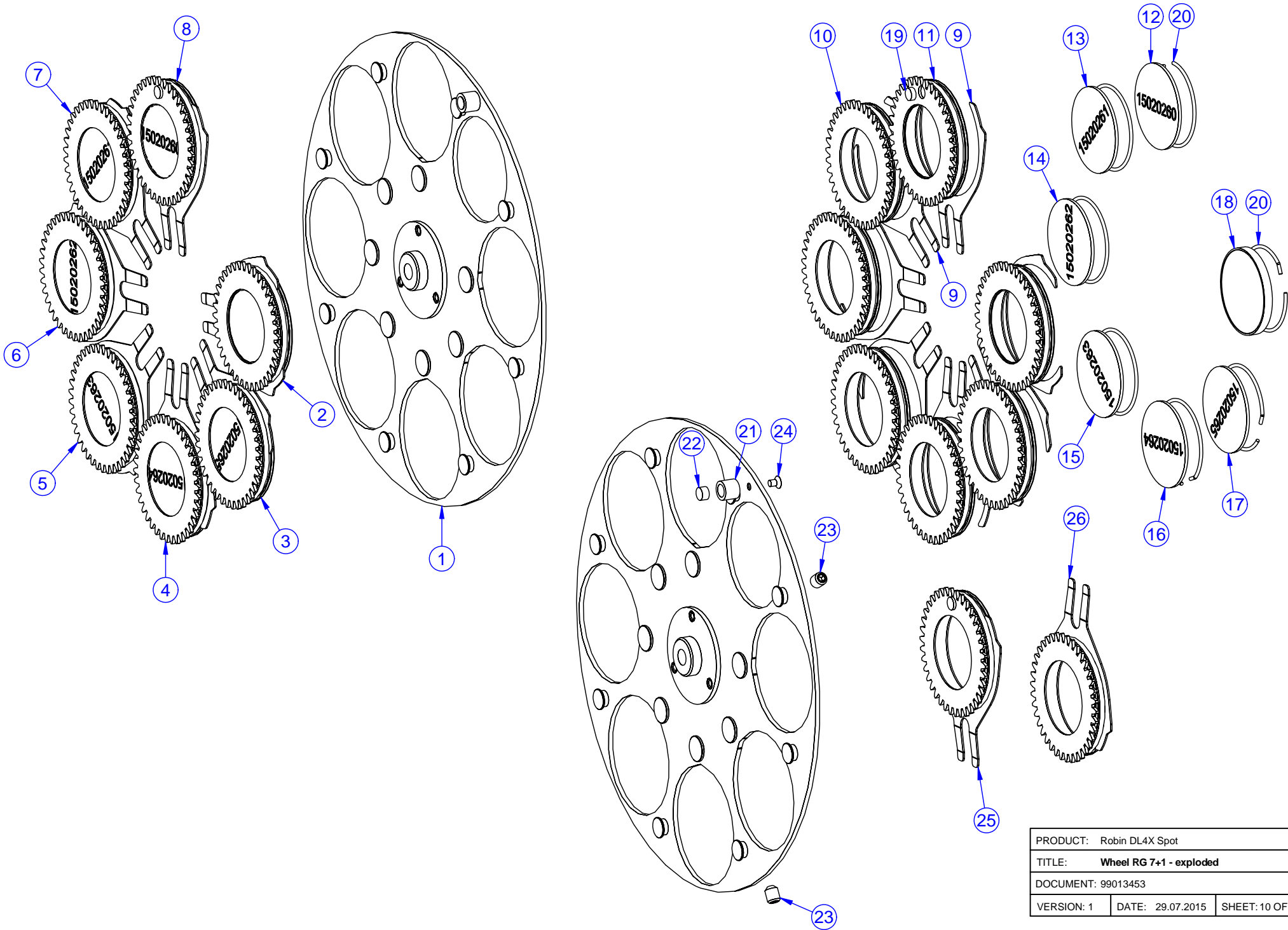
PRODUCT: Robin DL4X Spot		
TITLE: Module LED - exploded		
DOCUMENT: 99014498		
VERSION: 1	DATE: 29.07.2015	SHEET: 07 OF 25



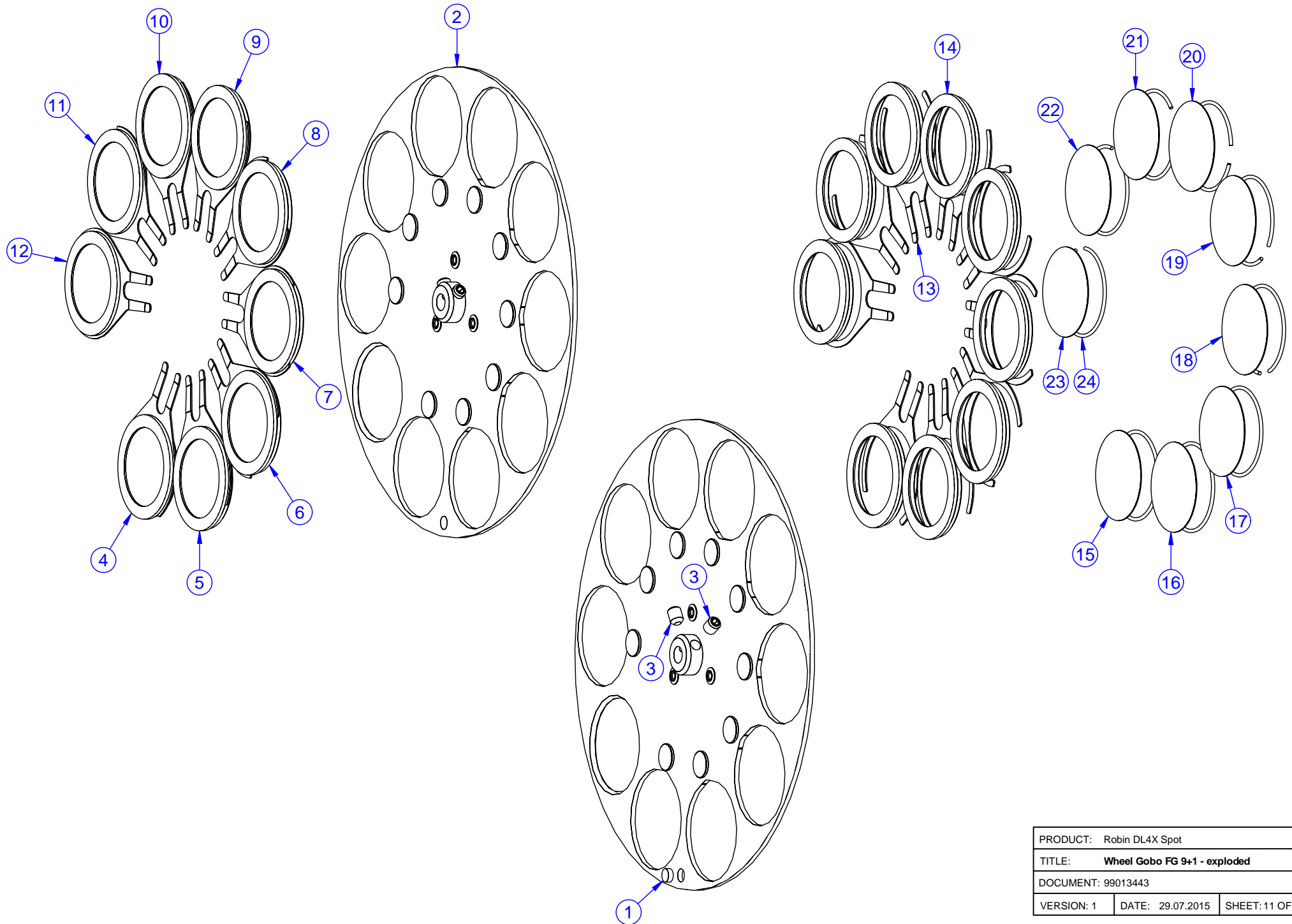
PRODUCT: Robin DL4X Spot		
TITLE: Front module of head		
DOCUMENT: 99014500		
VERSION: 1	DATE: 29.07.2015	SHEET: 08 OF 25



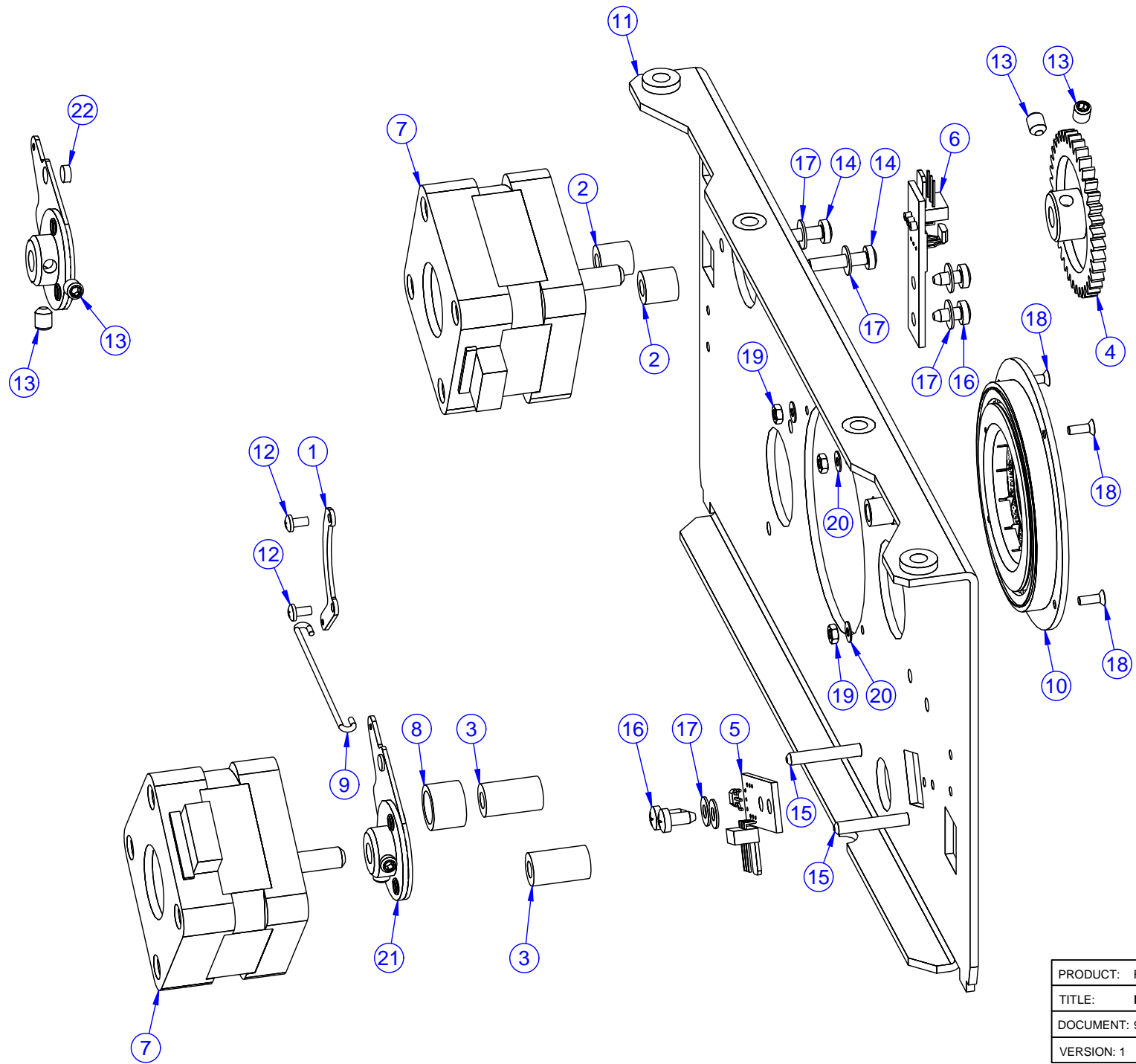
PRODUCT: Robin DL4X Spot		
TITLE: Module of Iris - part 1		
DOCUMENT: 99013455		
VERSION: 1	DATE: 29.07.2015	SHEET: 09 OF 25



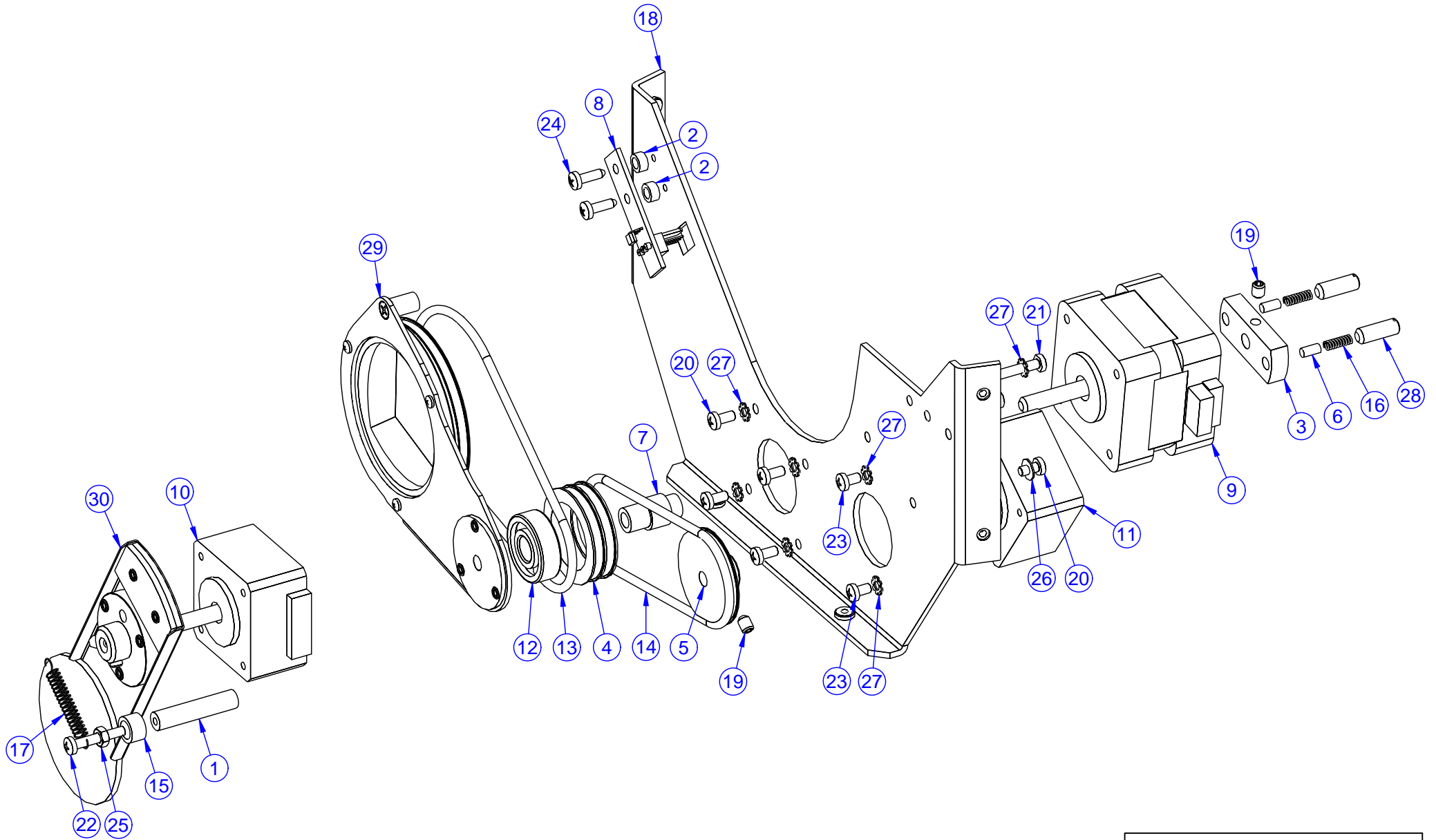
PRODUCT: Robin DL4X Spot		
TITLE: Wheel RG 7+1 - exploded		
DOCUMENT: 99013453		
VERSION: 1	DATE: 29.07.2015	SHEET: 10 OF 25



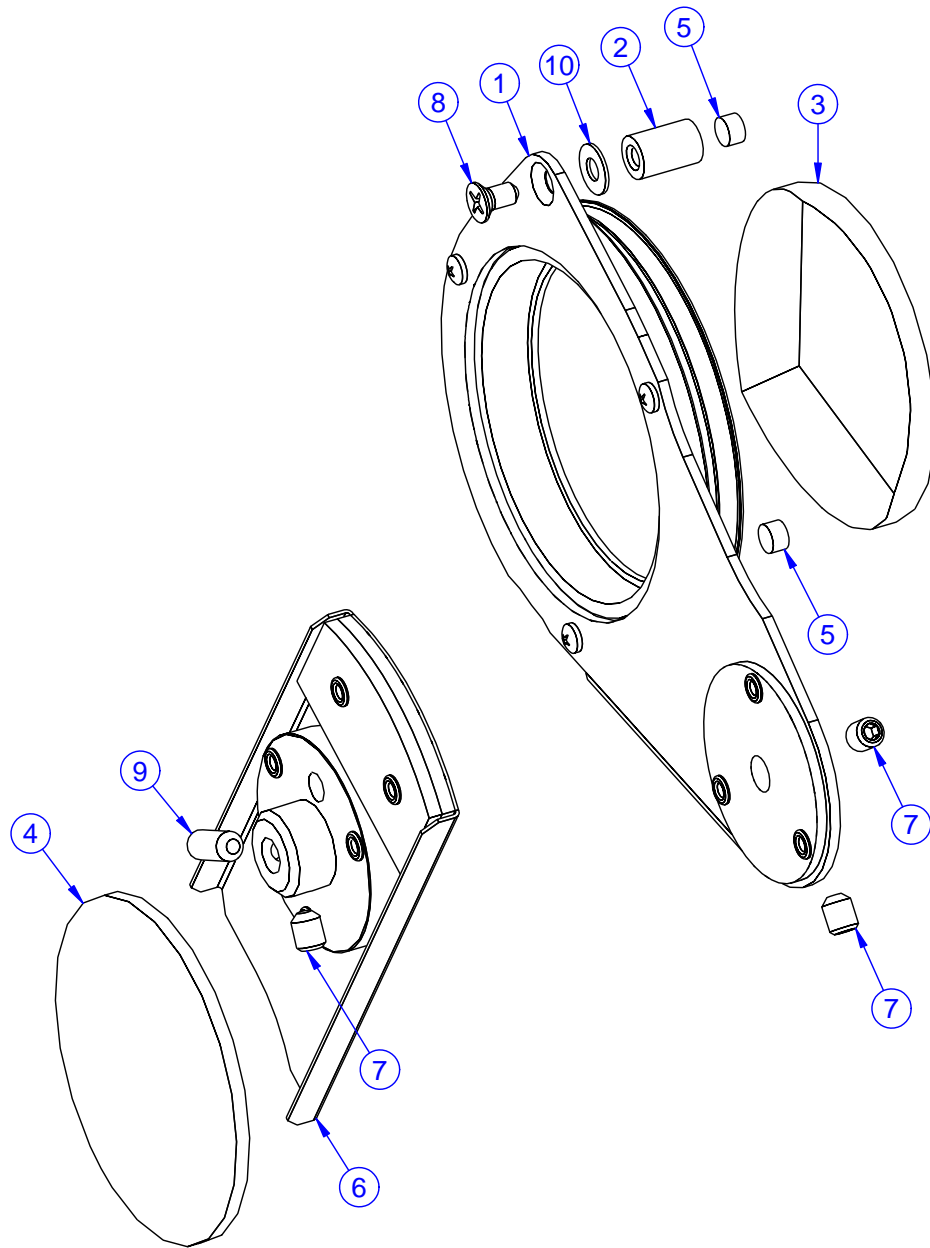
PRODUCT: Robin DL4X Spot		
TITLE: Wheel Gobo FG 9+1 - exploded		
DOCUMENT: 99013443		
VERSION: 1	DATE: 29.07.2015	SHEET: 11 OF 25



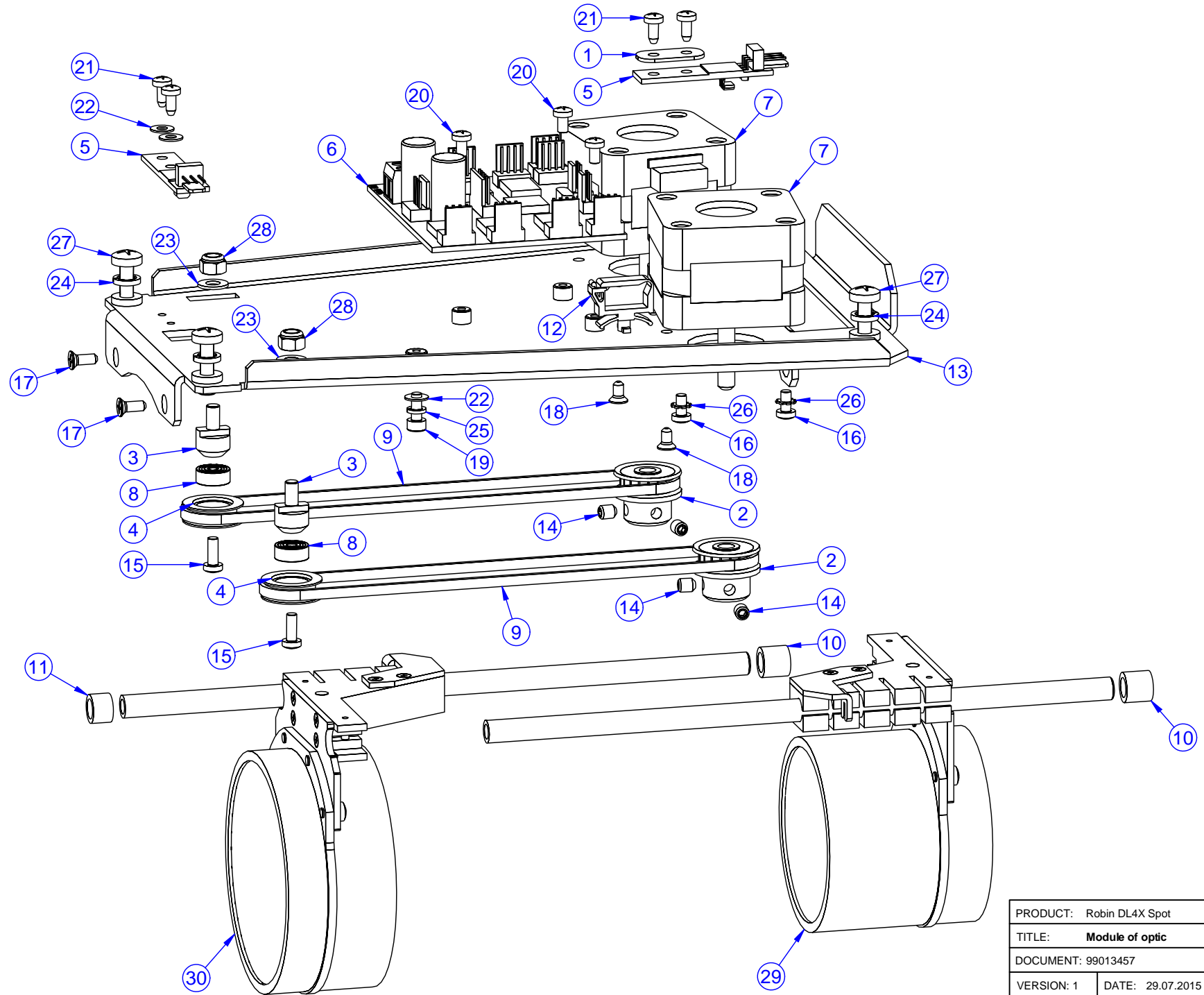
PRODUCT: Robin DL4X Spot		
TITLE: Module of Iris - part 2		
DOCUMENT: 99013455		
VERSION: 1	DATE: 29.07.2015	SHEET: 12 OF 25



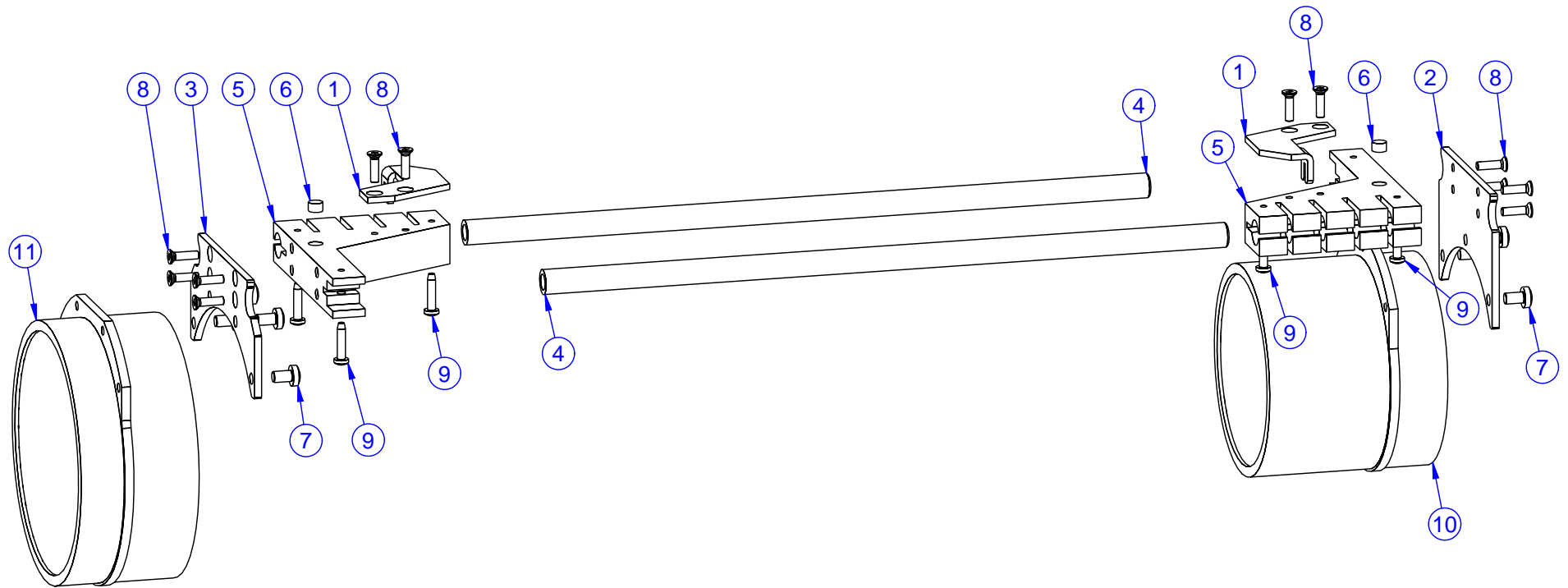
PRODUCT: Robin DL4X Spot		
TITLE: Module of prism and lamelle Frost		
DOCUMENT: 99012523		
VERSION: 1	DATE: 29.07.2015	SHEET: 13 OF 25



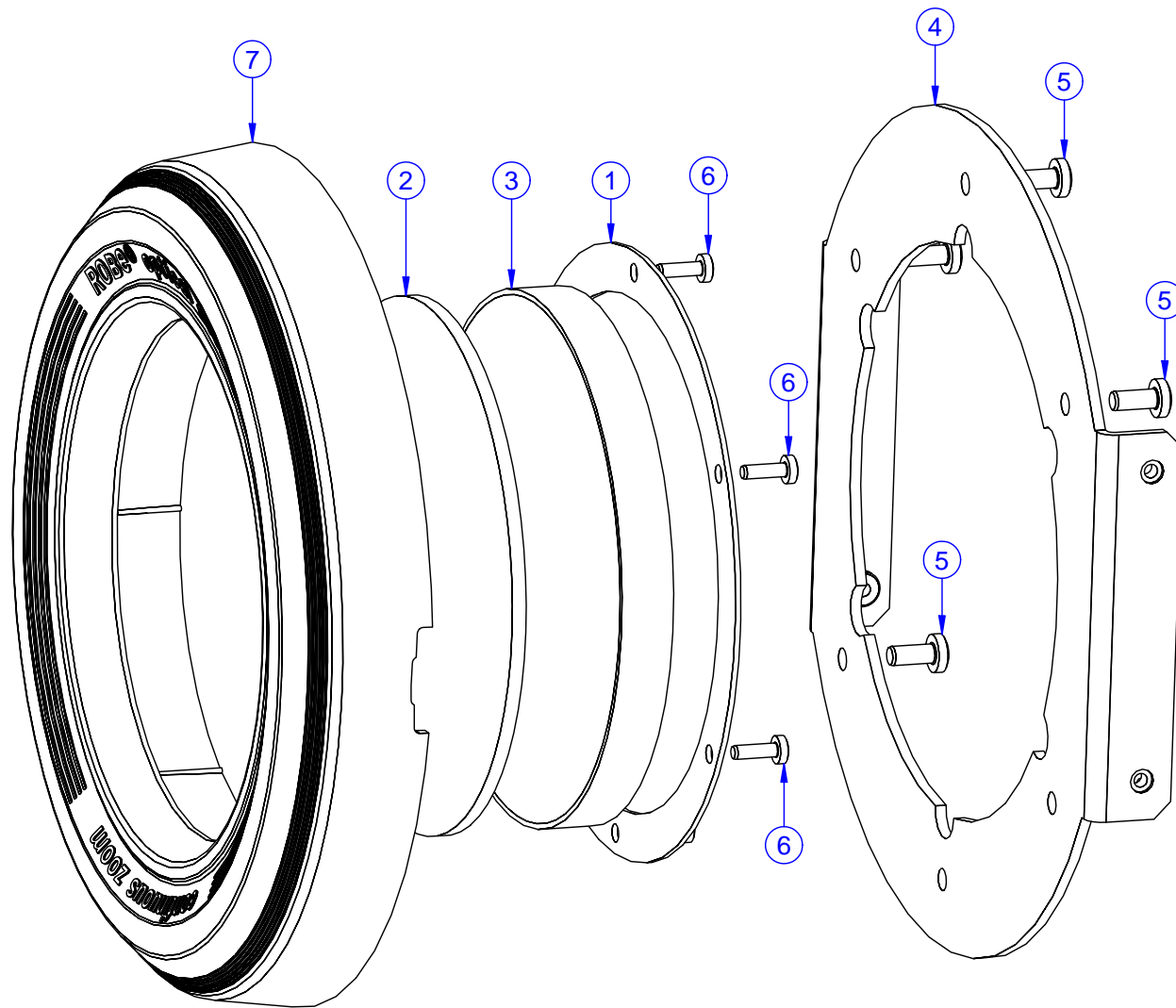
PRODUCT: Robin DL4X Spot		
TITLE: Prism and lamelle Frost - exploded		
DOCUMENT: 99012523		
VERSION: 1	DATE: 29.07.2015	SHEET: 14 OF 25



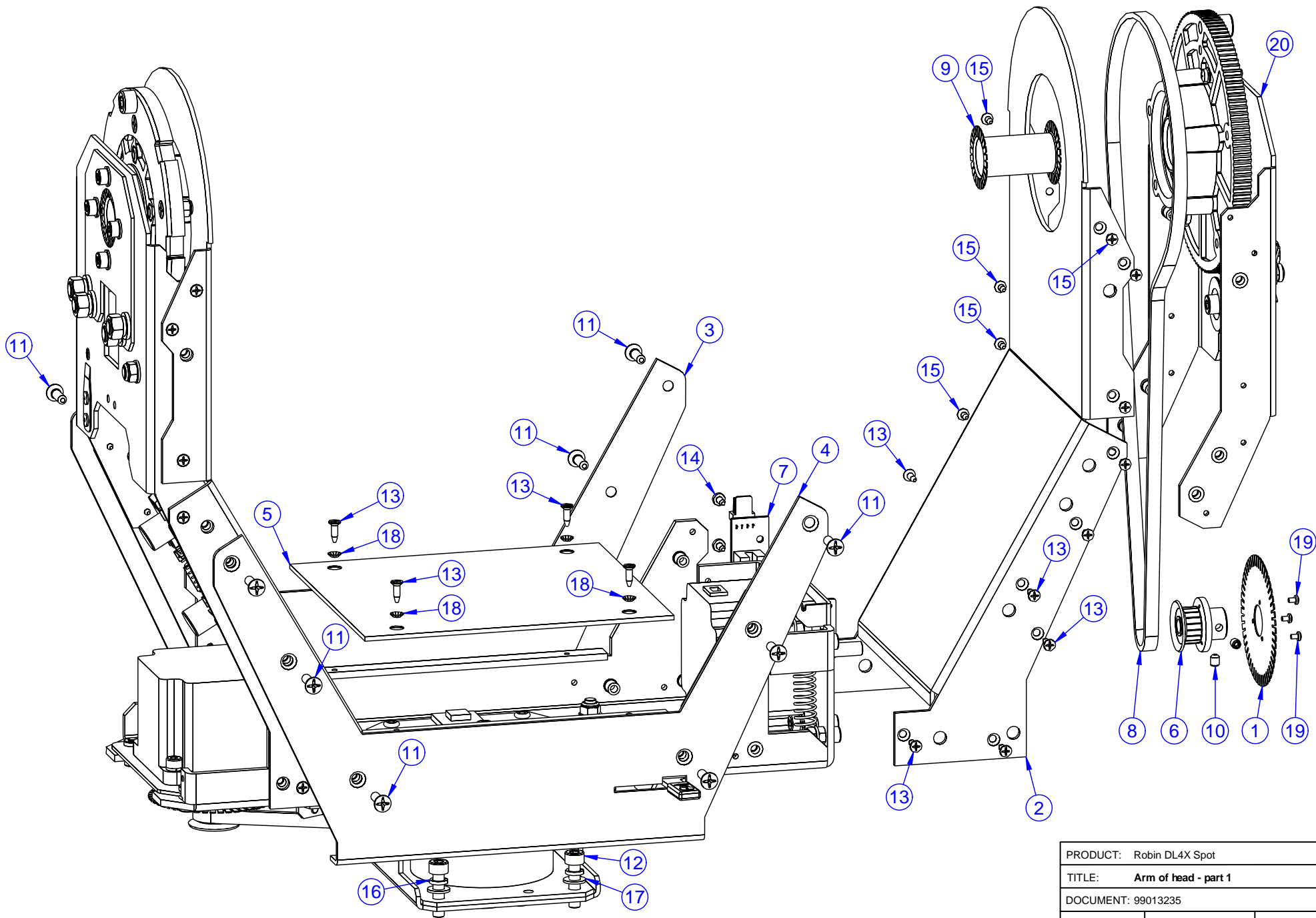
PRODUCT: Robin DL4X Spot		
TITLE: Module of optic		
DOCUMENT: 99013457		
VERSION: 1	DATE: 29.07.2015	SHEET: 15 OF 25



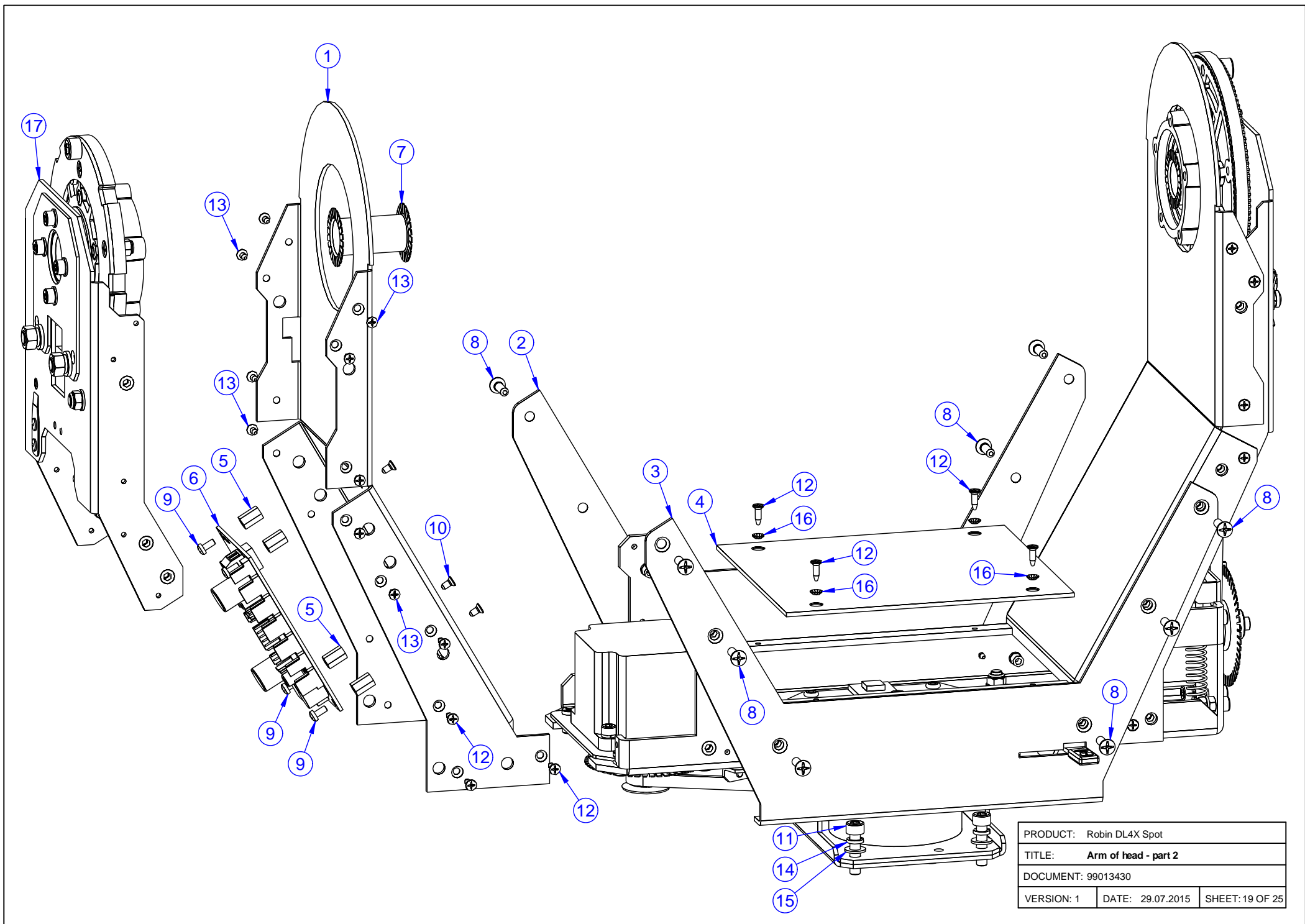
PRODUCT: Robin DL4X Spot		
TITLE: Holder of Focus and Zoom		
DOCUMENT: 99013457		
VERSION: 1	DATE: 29.07.2015	SHEET: 16 OF 25



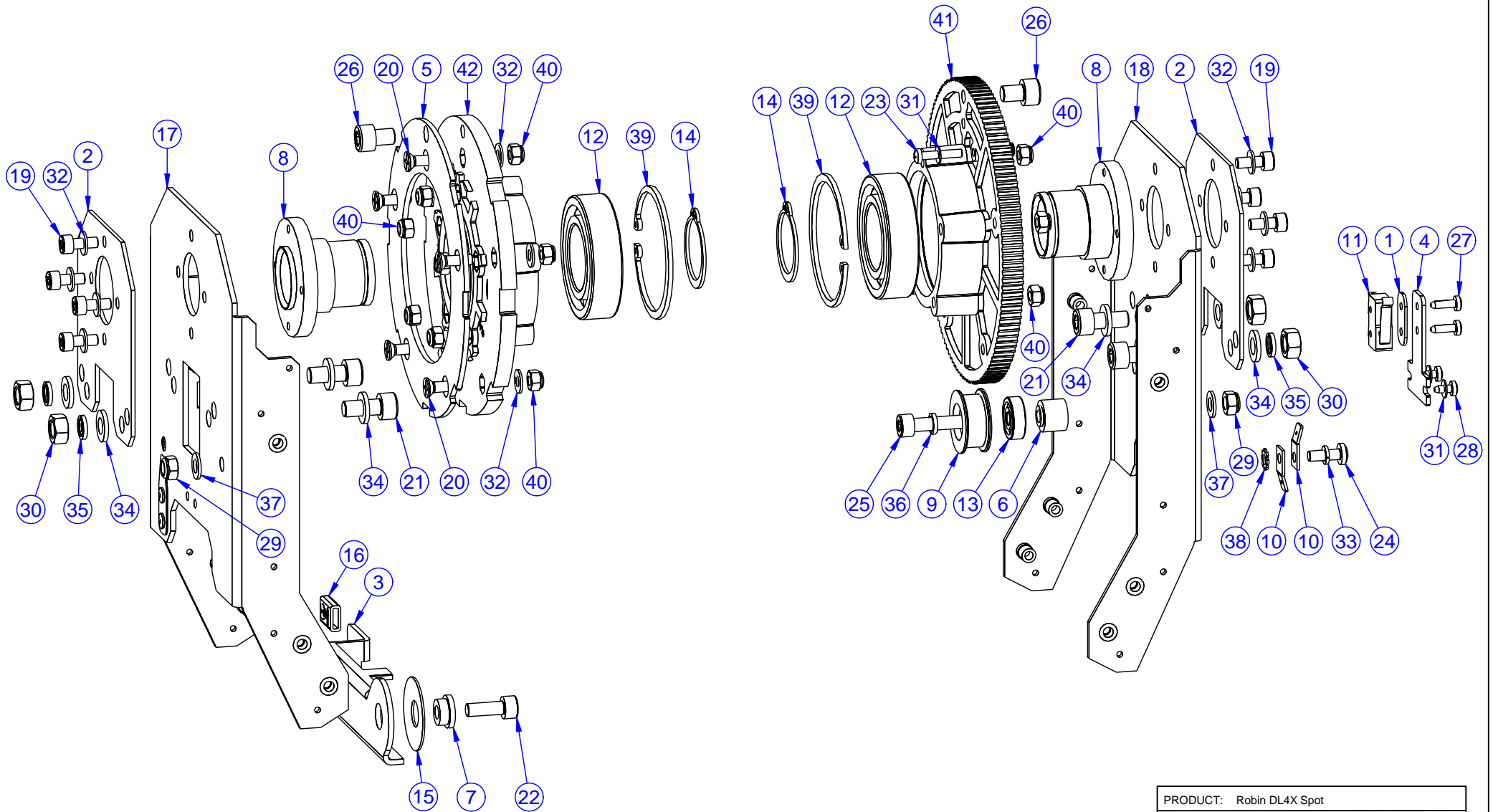
PRODUCT: Robin DL4X Spot		
TITLE: Holder of objective		
DOCUMENT: 99012524		
VERSION: 1	DATE: 29.07.2015	SHEET: 17 OF 25



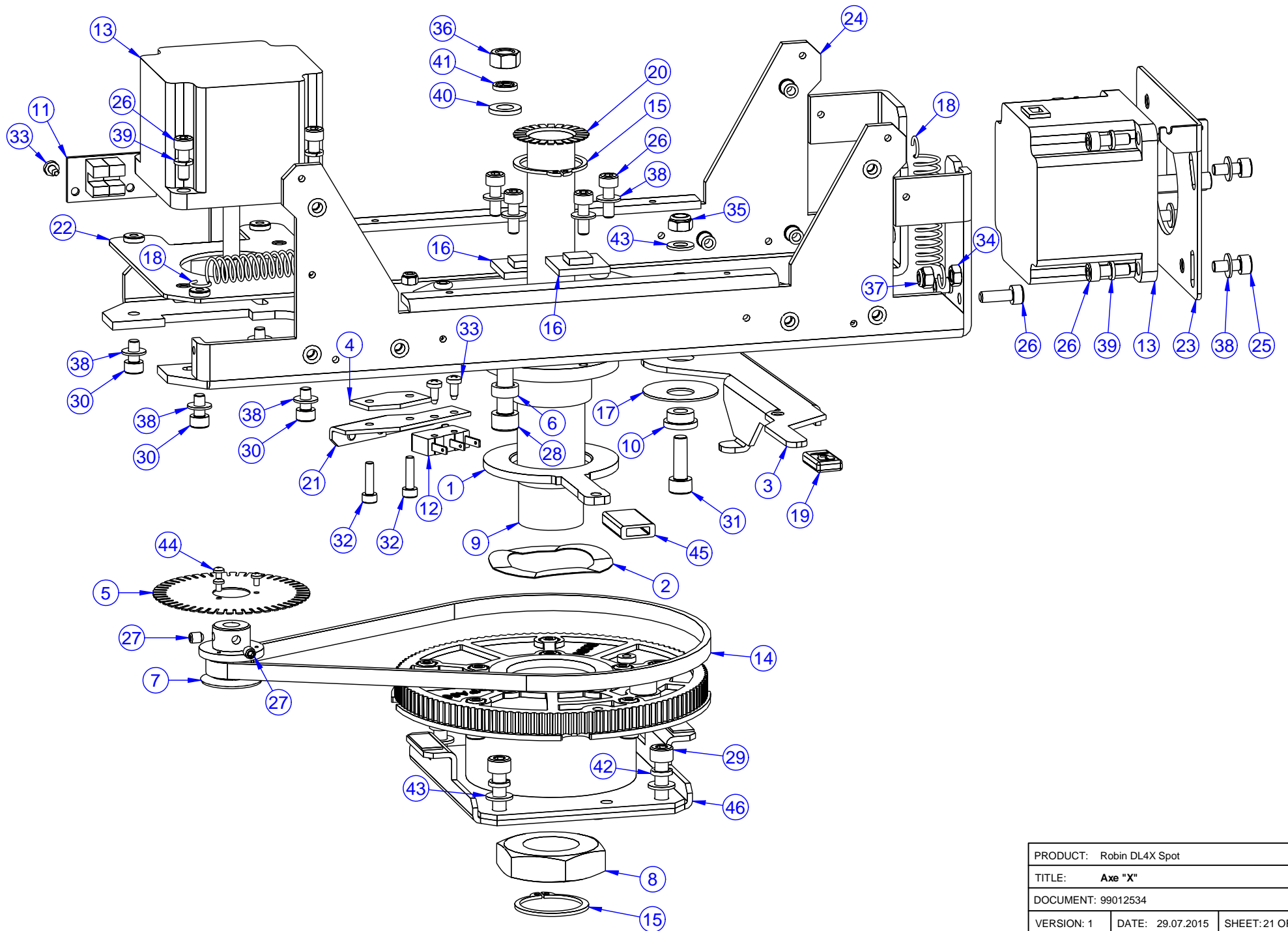
PRODUCT: Robin DL4X Spot		
TITLE: Arm of head - part 1		
DOCUMENT: 99013235		
VERSION: 1	DATE: 29.07.2015	SHEET: 18 OF 25



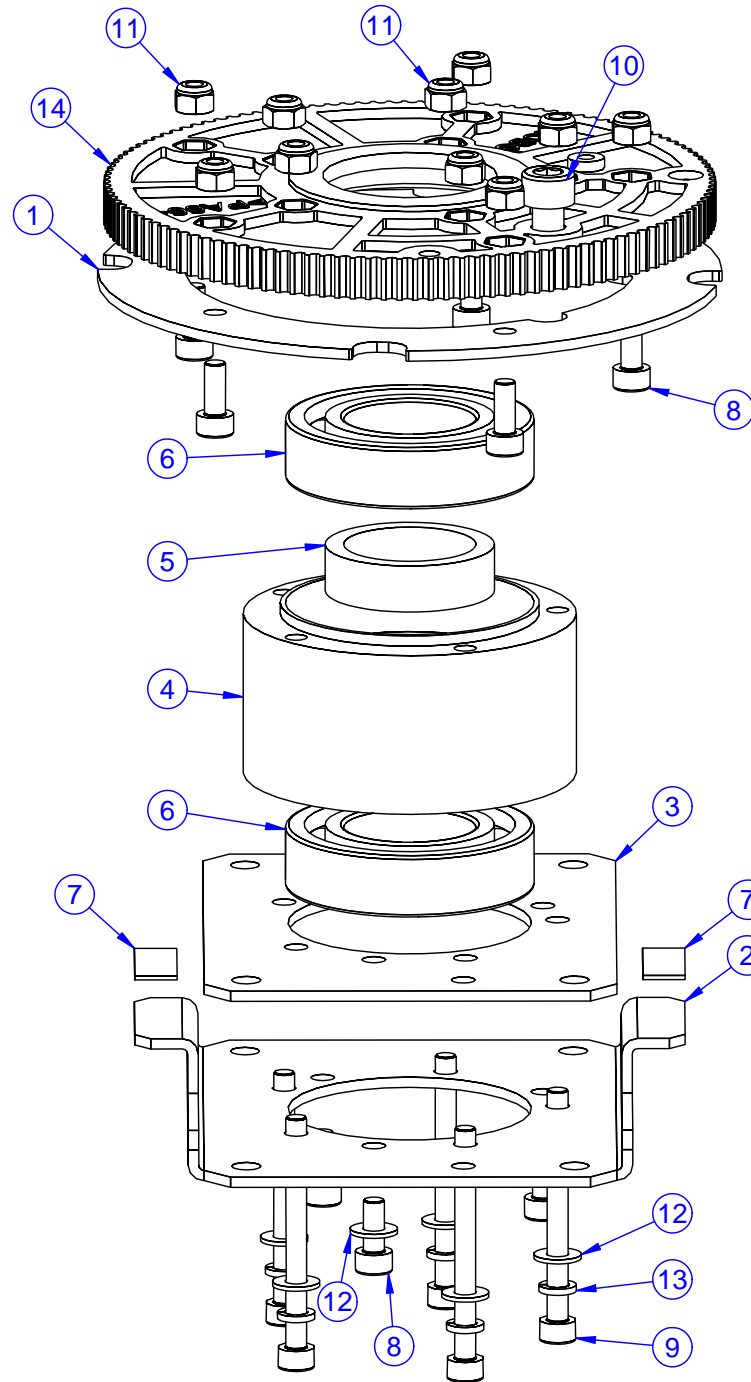
PRODUCT: Robin DL4X Spot		
TITLE: Arm of head - part 2		
DOCUMENT: 99013430		
VERSION: 1	DATE: 29.07.2015	SHEET: 19 OF 25



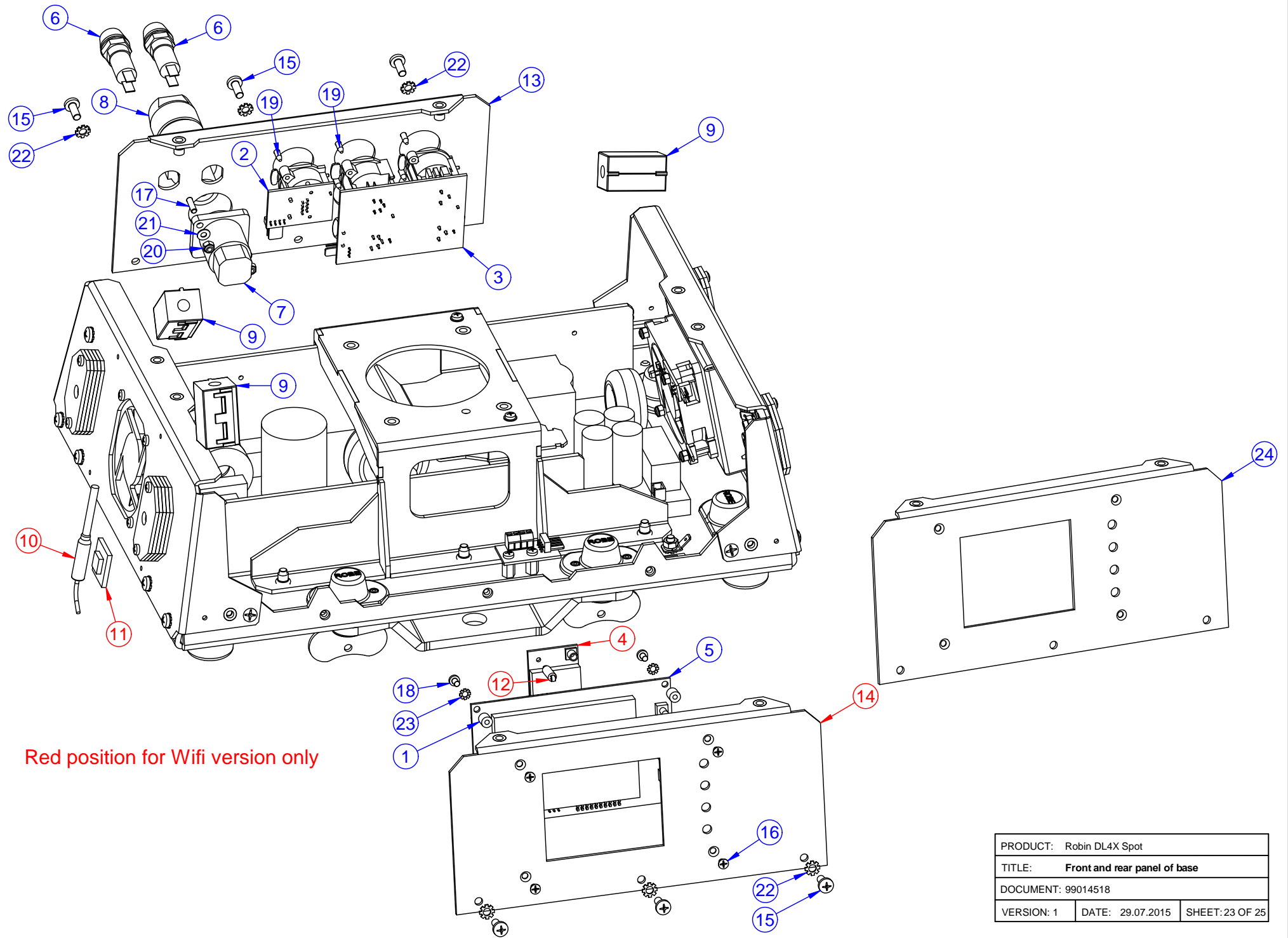
PRODUCT: Robin DL4X Spot		
TITLE: Arm of axis "Y"		
DOCUMENT: 99013430		
VERSION: 1	DATE: 29.07.2015	SHEET: 20 OF 25



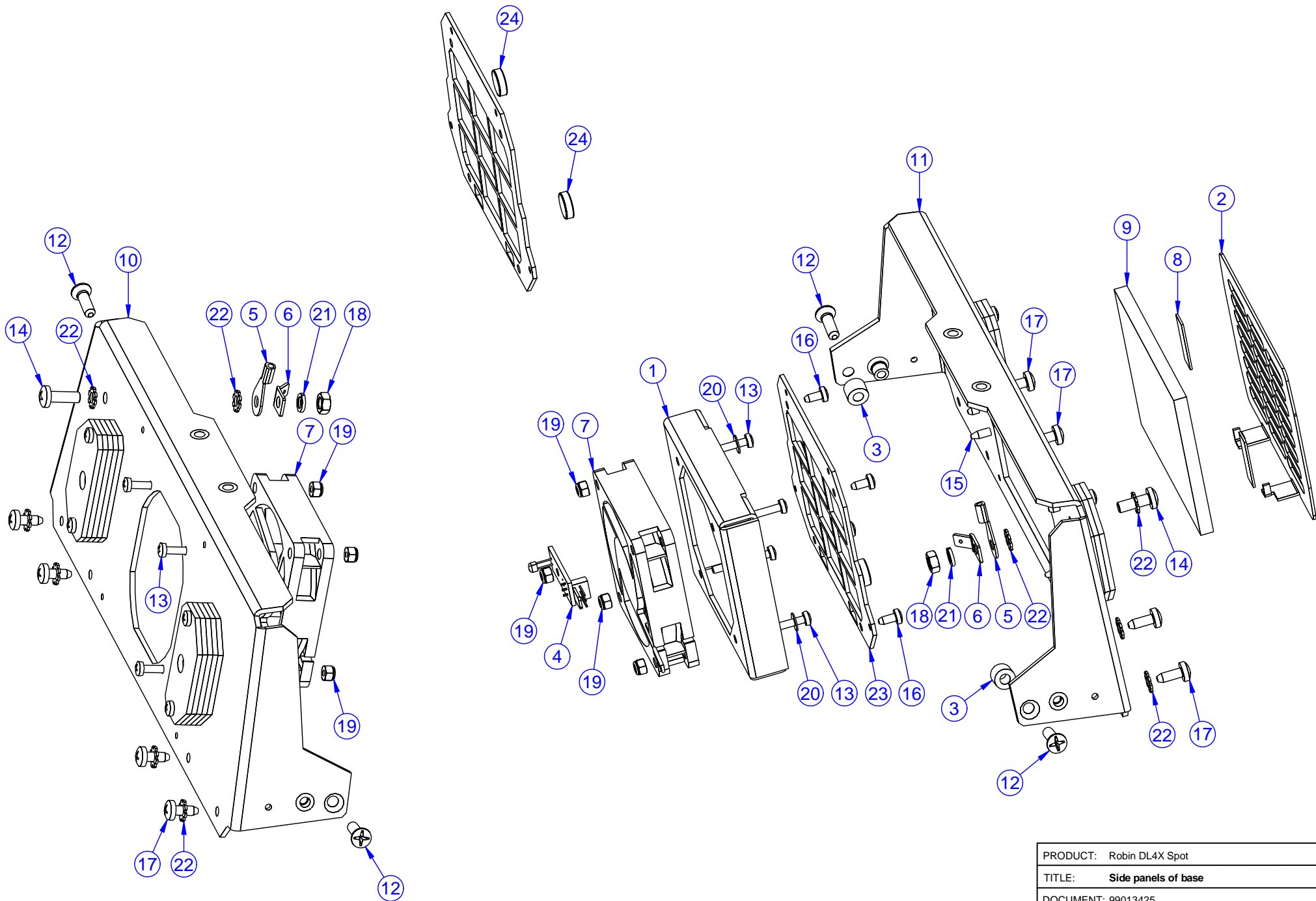
PRODUCT: Robin DL4X Spot		
TITLE: Axe "X"		
DOCUMENT: 99012534		
VERSION: 1	DATE: 29.07.2015	SHEET: 21 OF 25



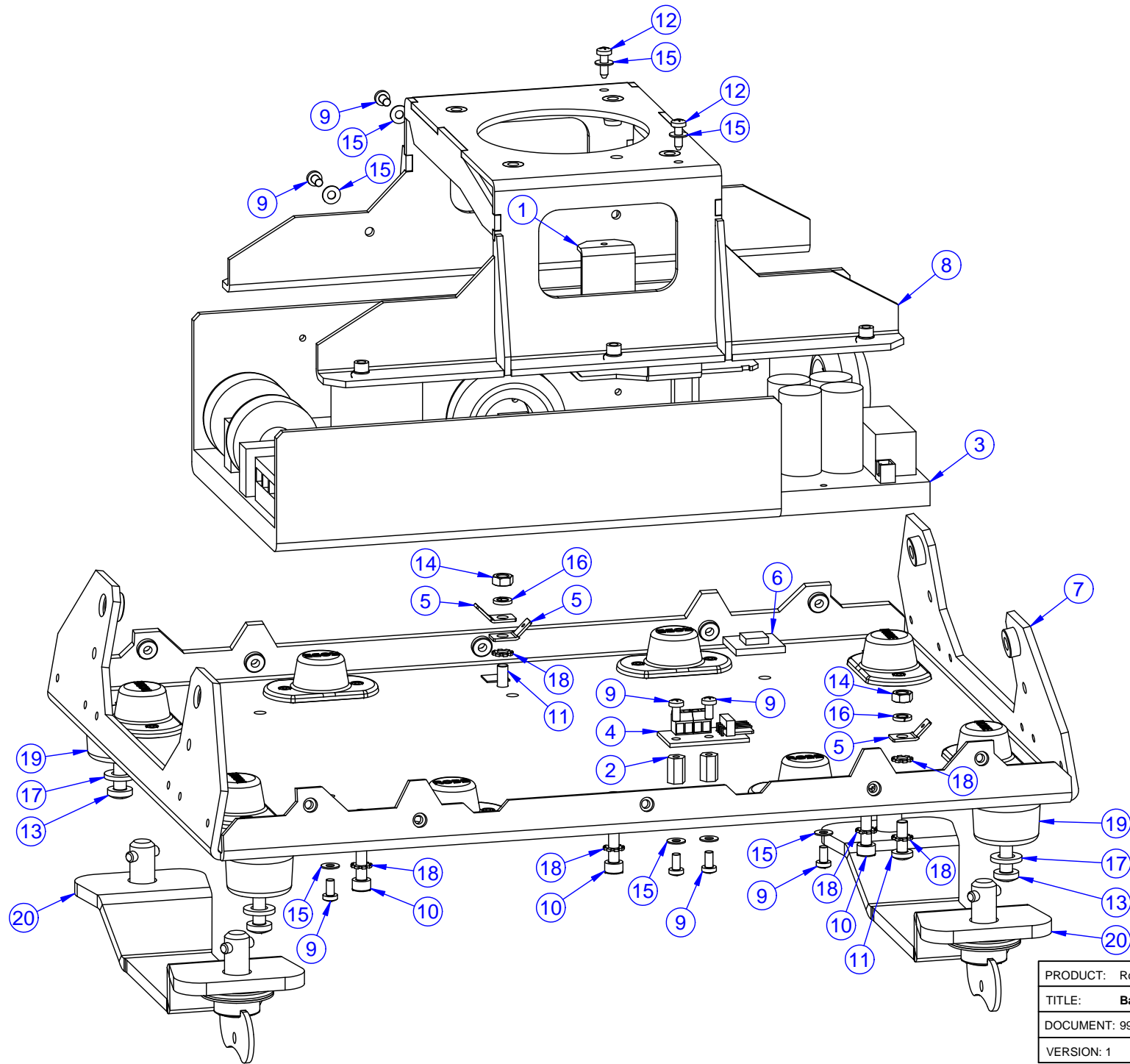
PRODUCT: Robin DL4X Spot		
TITLE: Holder of toothwheel		
DOCUMENT: 99012533		
VERSION: 1	DATE: 29.07.2015	SHEET: 22 OF 25



PRODUCT: Robin DL4X Spot		
TITLE: Front and rear panel of base		
DOCUMENT: 99014518		
VERSION: 1	DATE: 29.07.2015	SHEET: 23 OF 25



PRODUCT: Robin DL4X Spot		
TITLE: Side panels of base		
DOCUMENT: 99013425		
VERSION: 1	DATE: 29.07.2015	SHEET: 24 OF 25



PRODUCT: Robin DL4X Spot		
TITLE: Base		
DOCUMENT: 99013540		
VERSION: 1	DATE: 29.07.2015	SHEET: 25 OF 25