

# Service manual

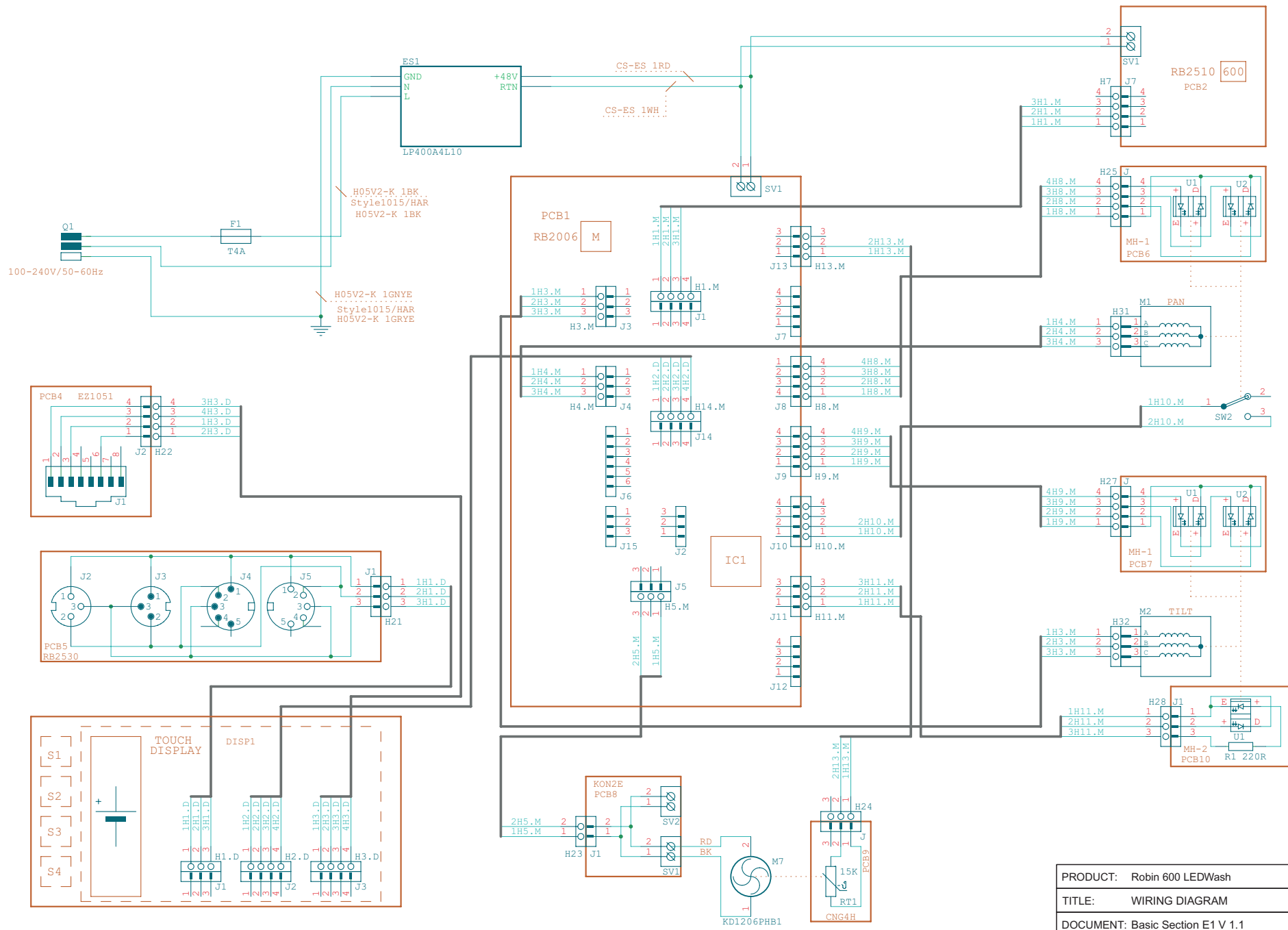
## Robin 600 LEDWash

Exploded Diagrams  
Circuit Diagrams  
Wiring Diagrams  
Order Numbers

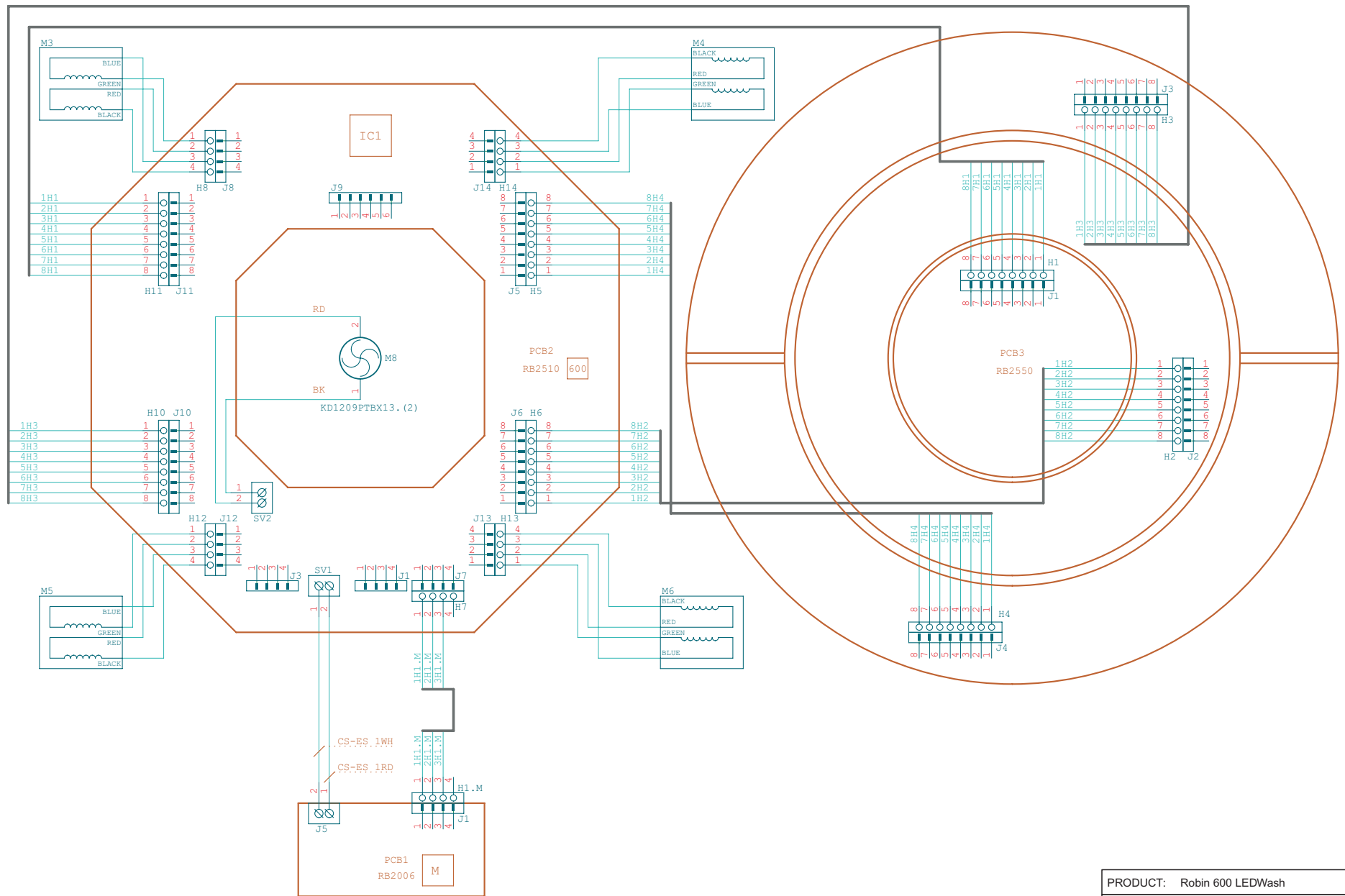


**ROBE**

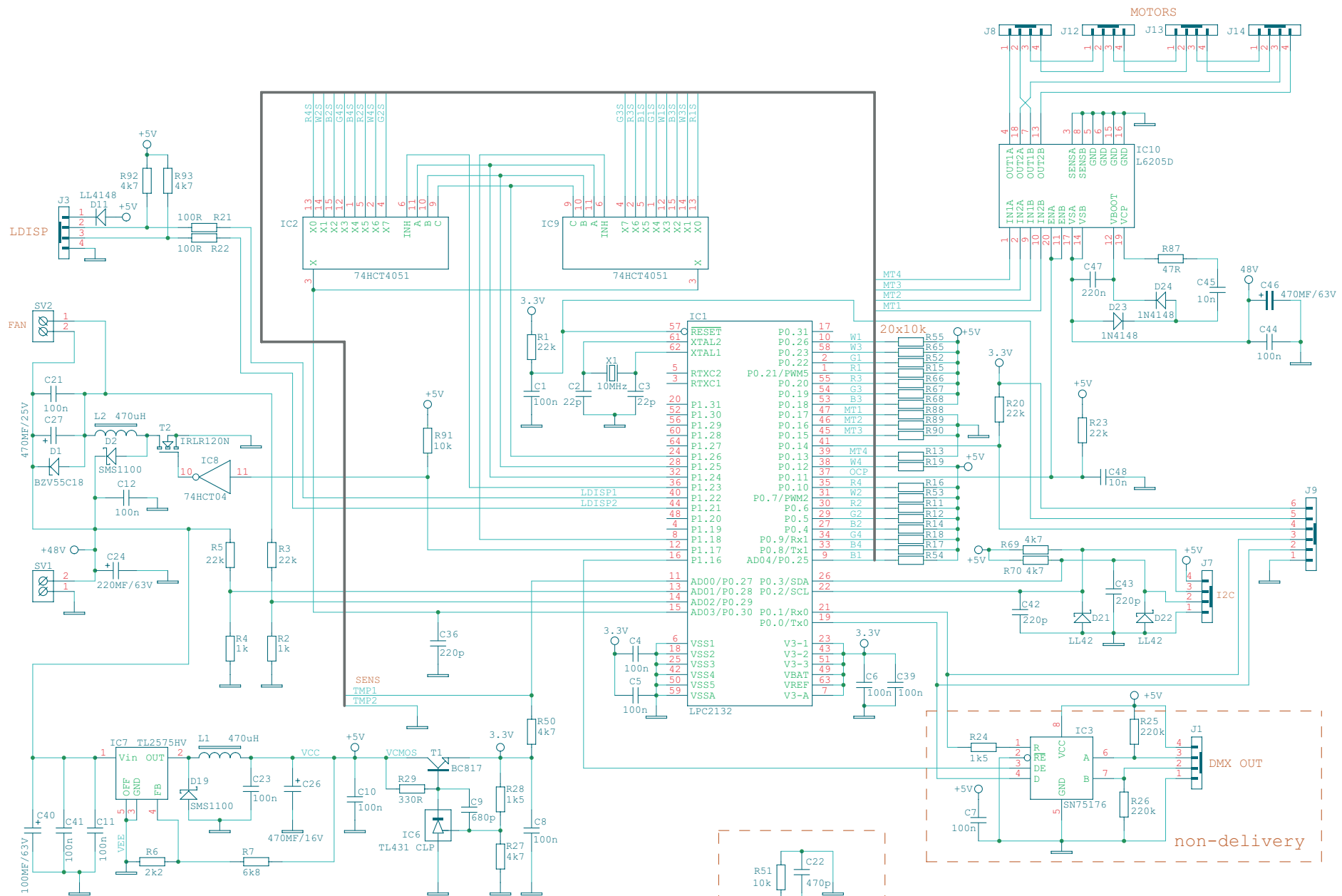
Version: 1 b



PRODUCT:	Robin 600 LEDWash		
TITLE:	WIRING DIAGRAM		
DOCUMENT:	Basic Section E1 V 1.1		
VERSION:	1	DATE:	26.05.2011
		SHEET:	1 OF 7



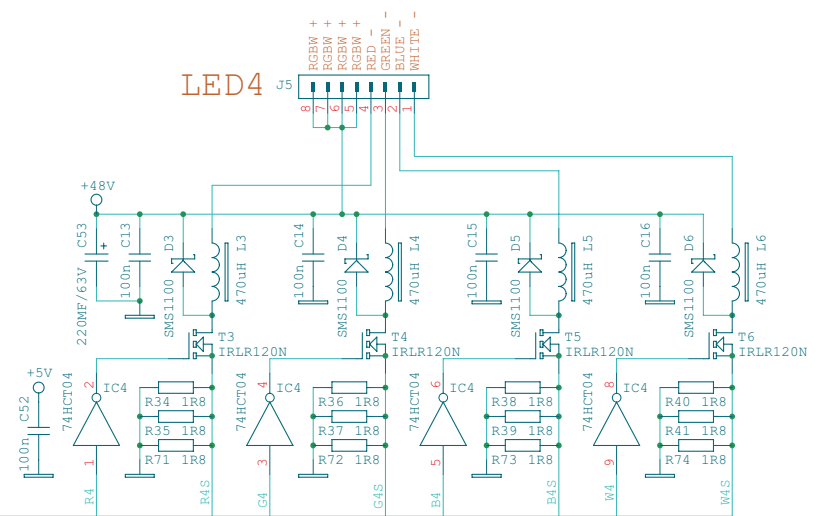
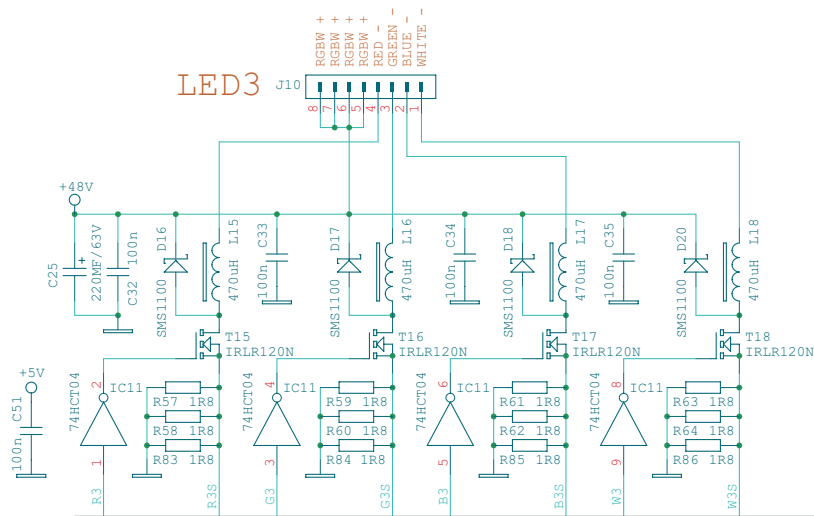
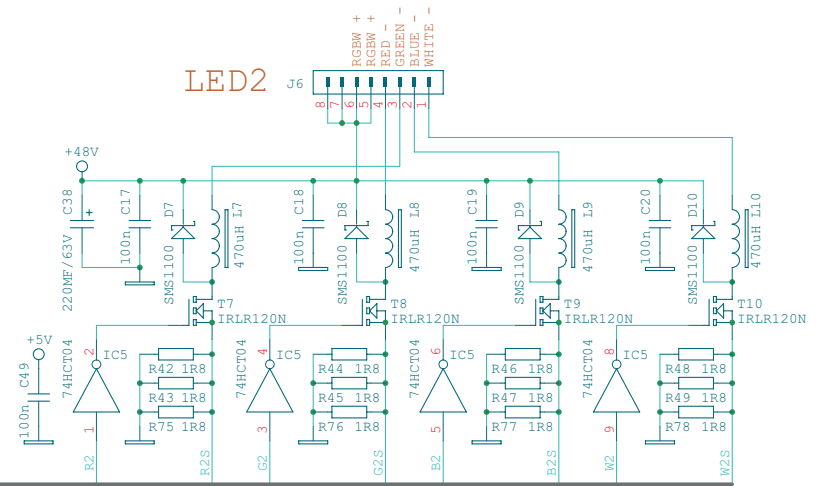
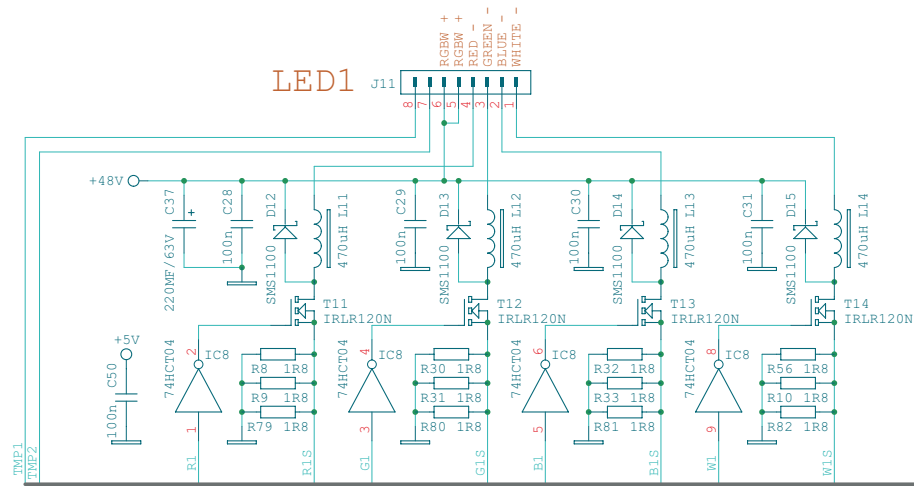
PRODUCT: Robin 600 LEDWash		
TITLE: WIRING DIAGRAM		
DOCUMENT: Head Section E2 V 1.1		
VERSION: 1	DATE: 26.05.2011	SHEET: 2 OF 7



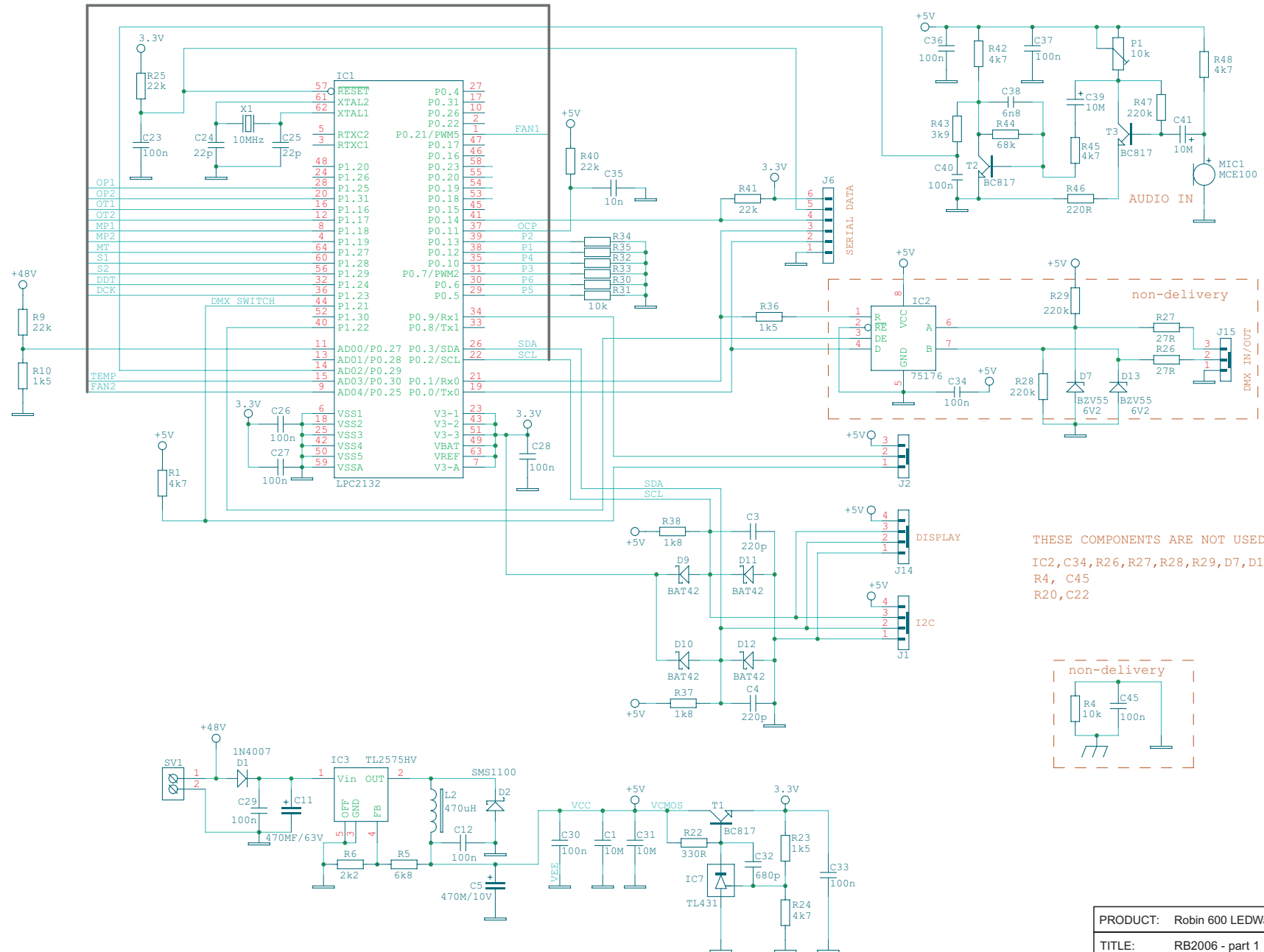
non-delivery

non-delivery

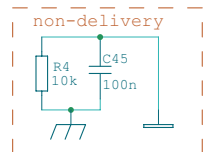
PRODUCT: Robyn 600 LED Wash		
TITLE: RB2510 - part 1		
DOCUMENT: CIRCUIT DIAGRAM		
VERSION: 1	DATE: 01.12.2010	SHEET: 3 OF 7



PRODUCT: Robin 600 LEDWash		
TITLE: RB2510 - part 2		
DOCUMENT: CIRCUIT DIAGRAM		
VERSION: 1	DATE: 01.12.2010	SHEET: 4 OF 7



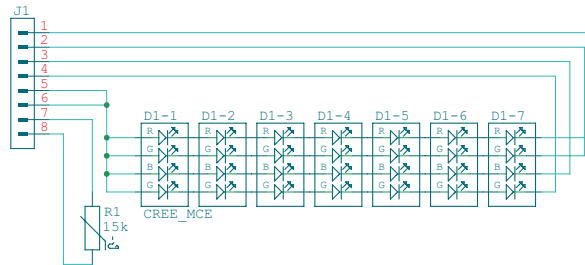
THESE COMPONENTS ARE NOT USED  
 IC2, C34, R26, R27, R28, R29, D7, D13, J15  
 R4, C45  
 R20, C22



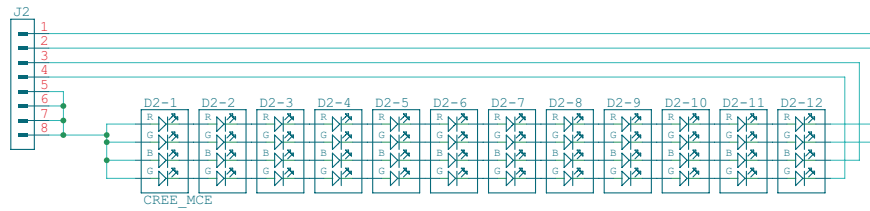
PRODUCT: RobIn 600 LED Wash		
TITLE: RB2006 - part 1		
DOCUMENT: CIRCUIT DIAGRAM		
VERSION: 1	DATE: 01.12.2010	SHEET: 5 OF 7



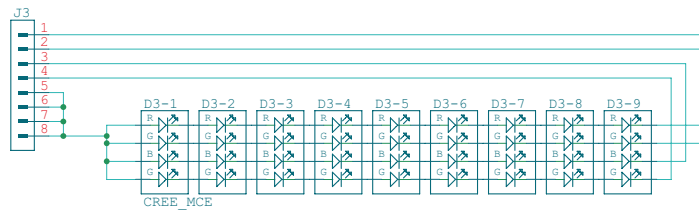
LED1



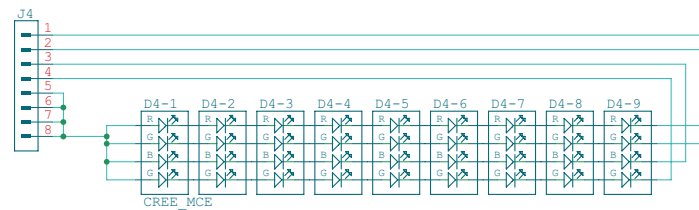
LED2



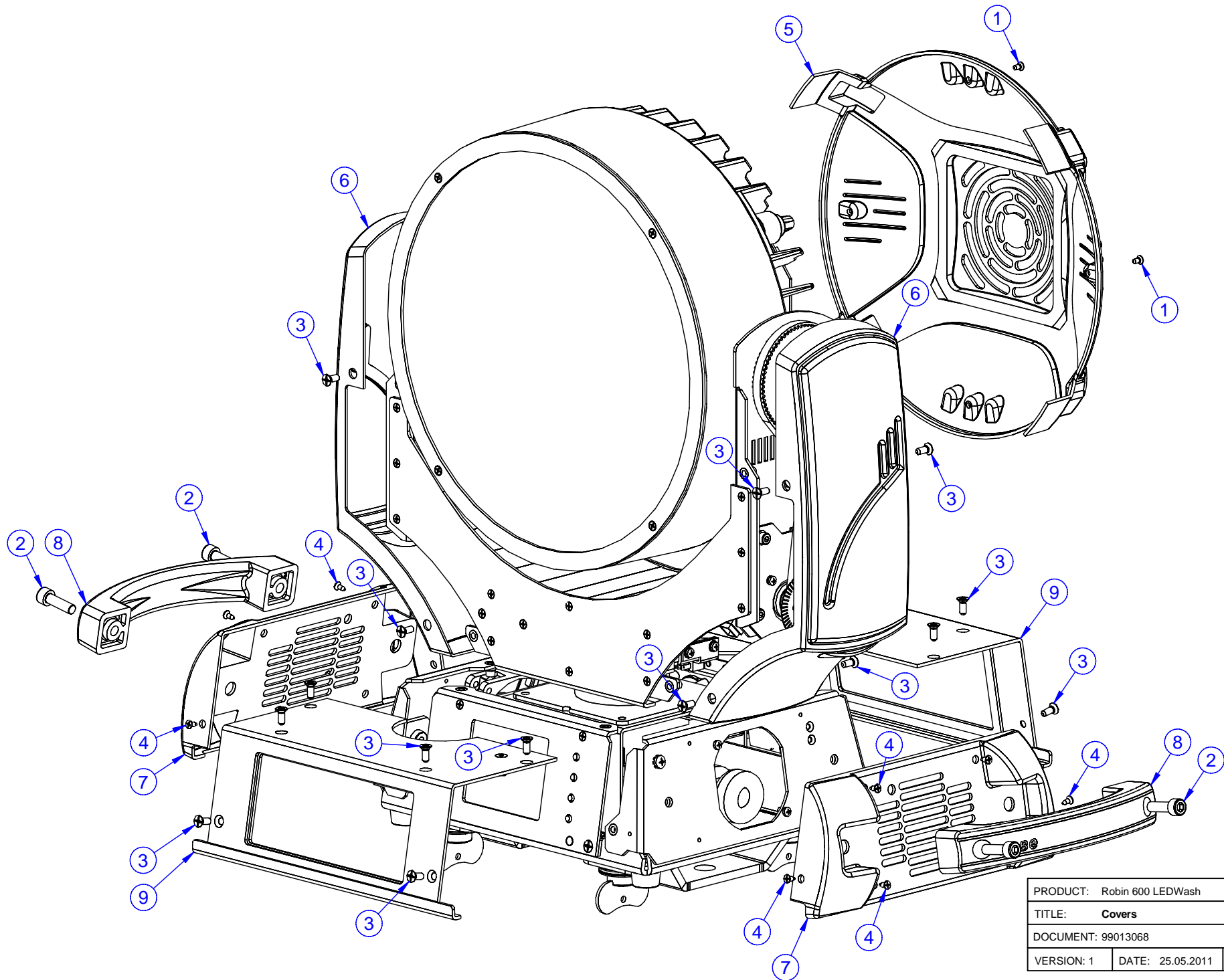
LED3



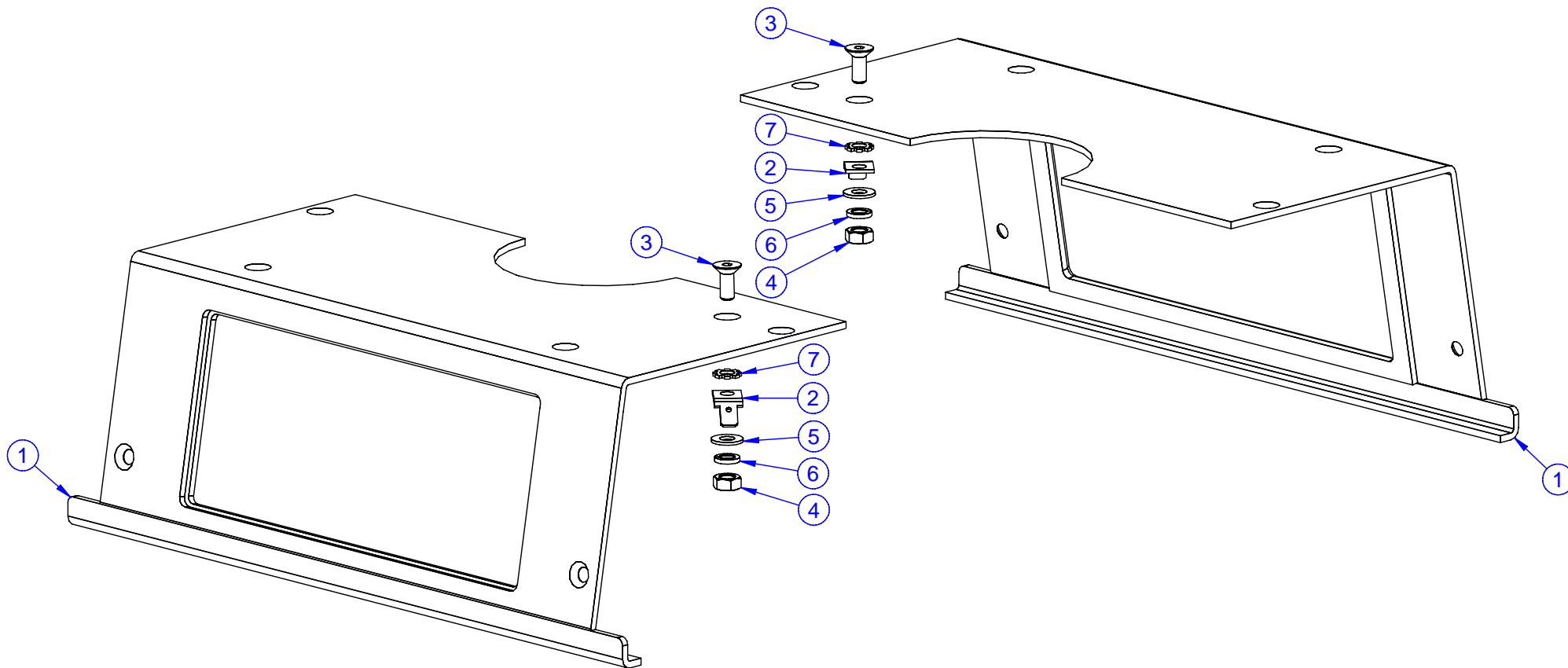
LED4



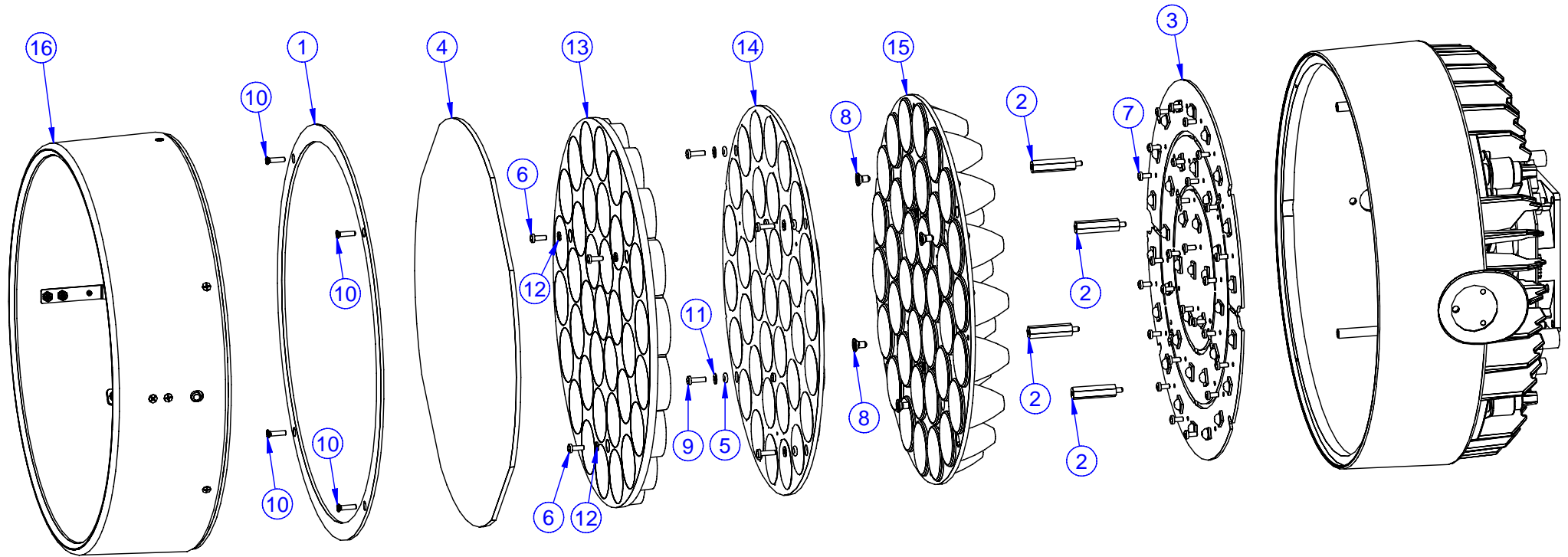
PRODUCT: Robin 600 LEDWash		
TITLE: RB2550		
DOCUMENT: CIRCUIT DIAGRAM		
VERSION: 1	DATE: 01.12.2010	SHEET: 7 OF 7



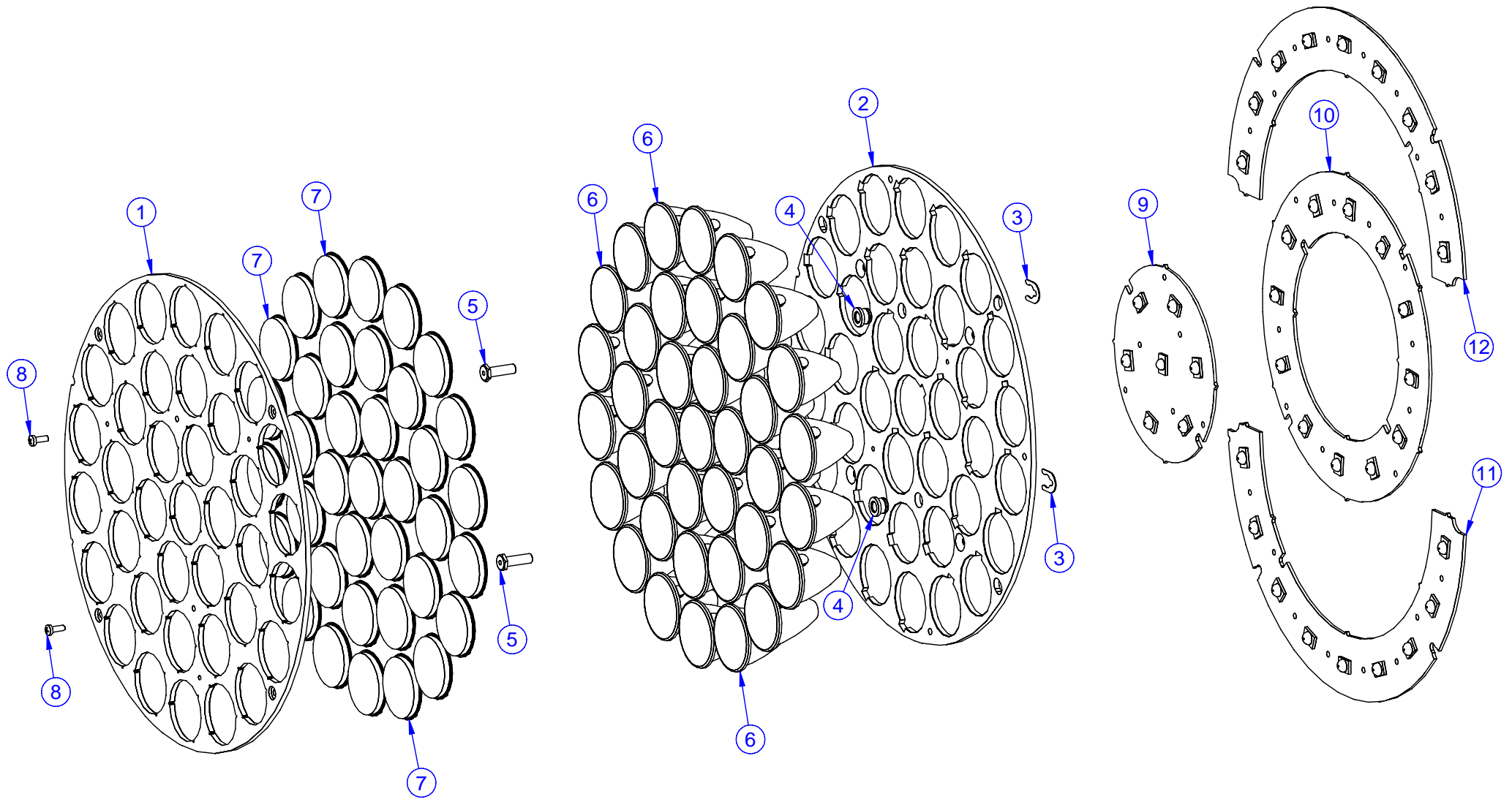
PRODUCT: Robin 600 LEDWash		
TITLE: Covers		
DOCUMENT: 99013068		
VERSION: 1	DATE: 25.05.2011	SHEET: 01 OF 10



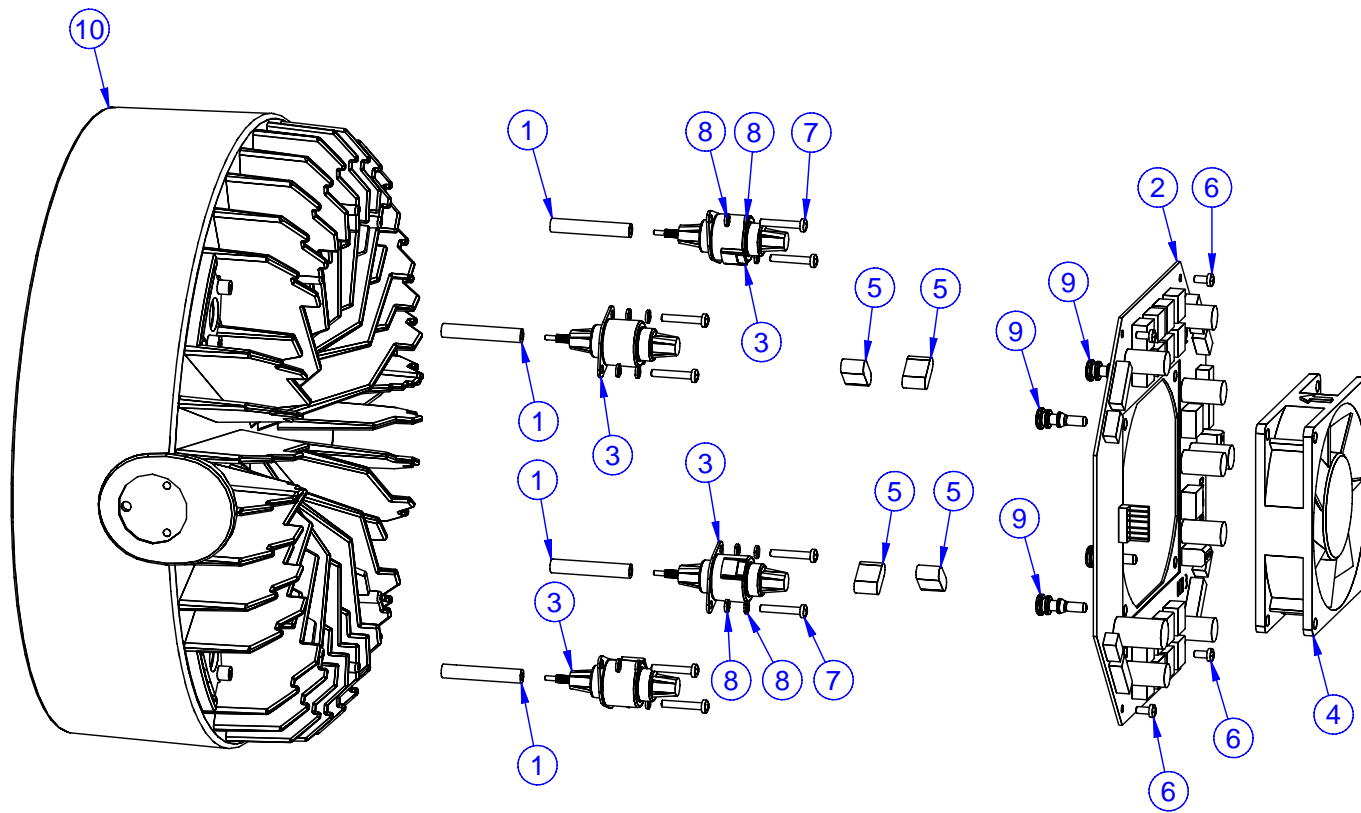
PRODUCT: Robin 600 LEDWash		
TITLE: Covers of base		
DOCUMENT: 99013061		
VERSION: 1	DATE: 07.12.2010	SHEET: 02 OF 10



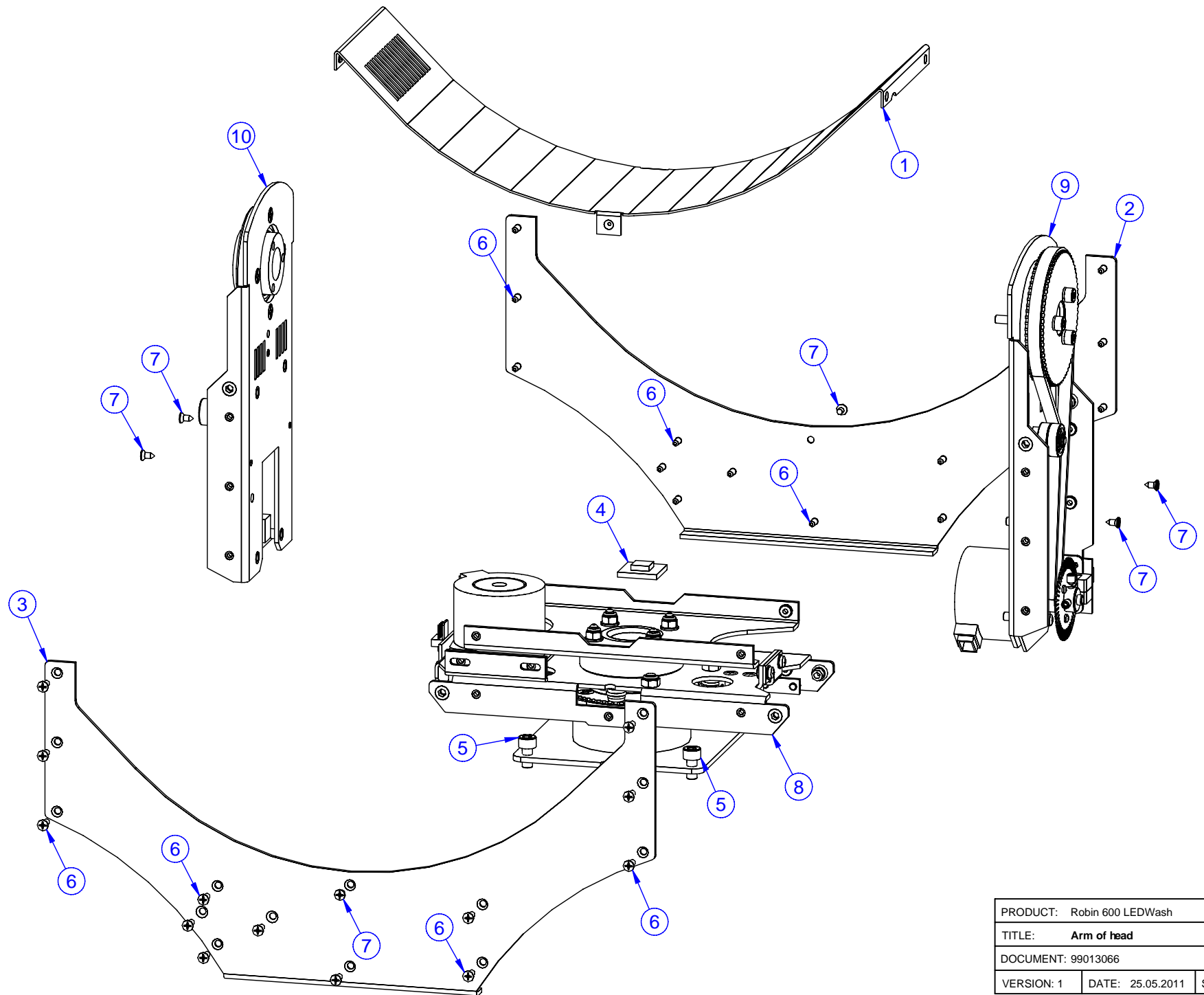
PRODUCT: Robin 600 LEDWash		
TITLE: Front module of head		
DOCUMENT: 99013070		
VERSION: 1	DATE: 03.10.2011	SHEET: 03 OF 10



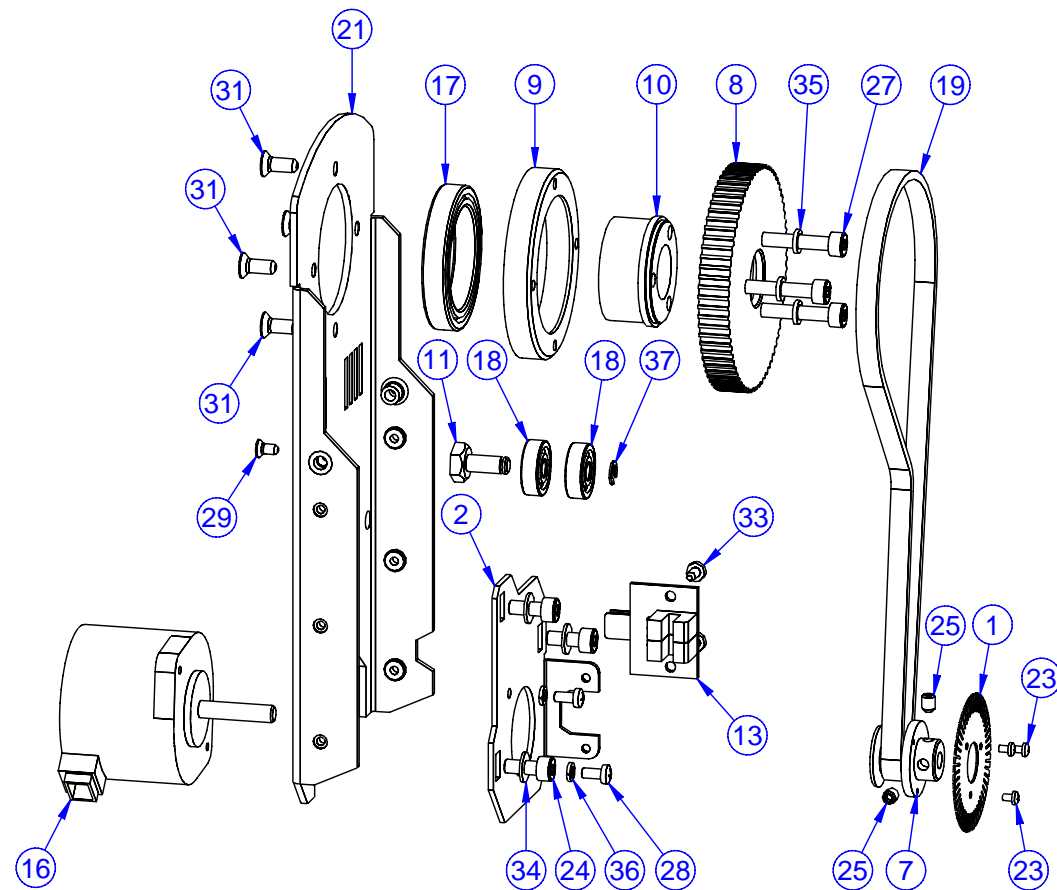
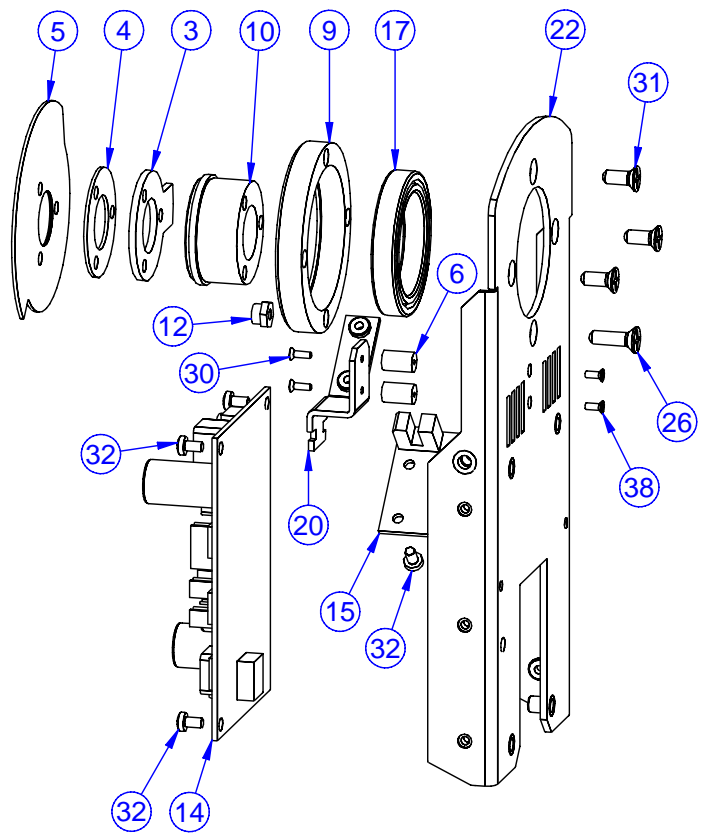
PRODUCT: Robin 600 LEDWash		
TITLE: <b>Explode assembly</b>		
DOCUMENT: 99013094,99013095,13030763		
VERSION: 1	DATE: 25.05.2011	SHEET: 04 OF 10



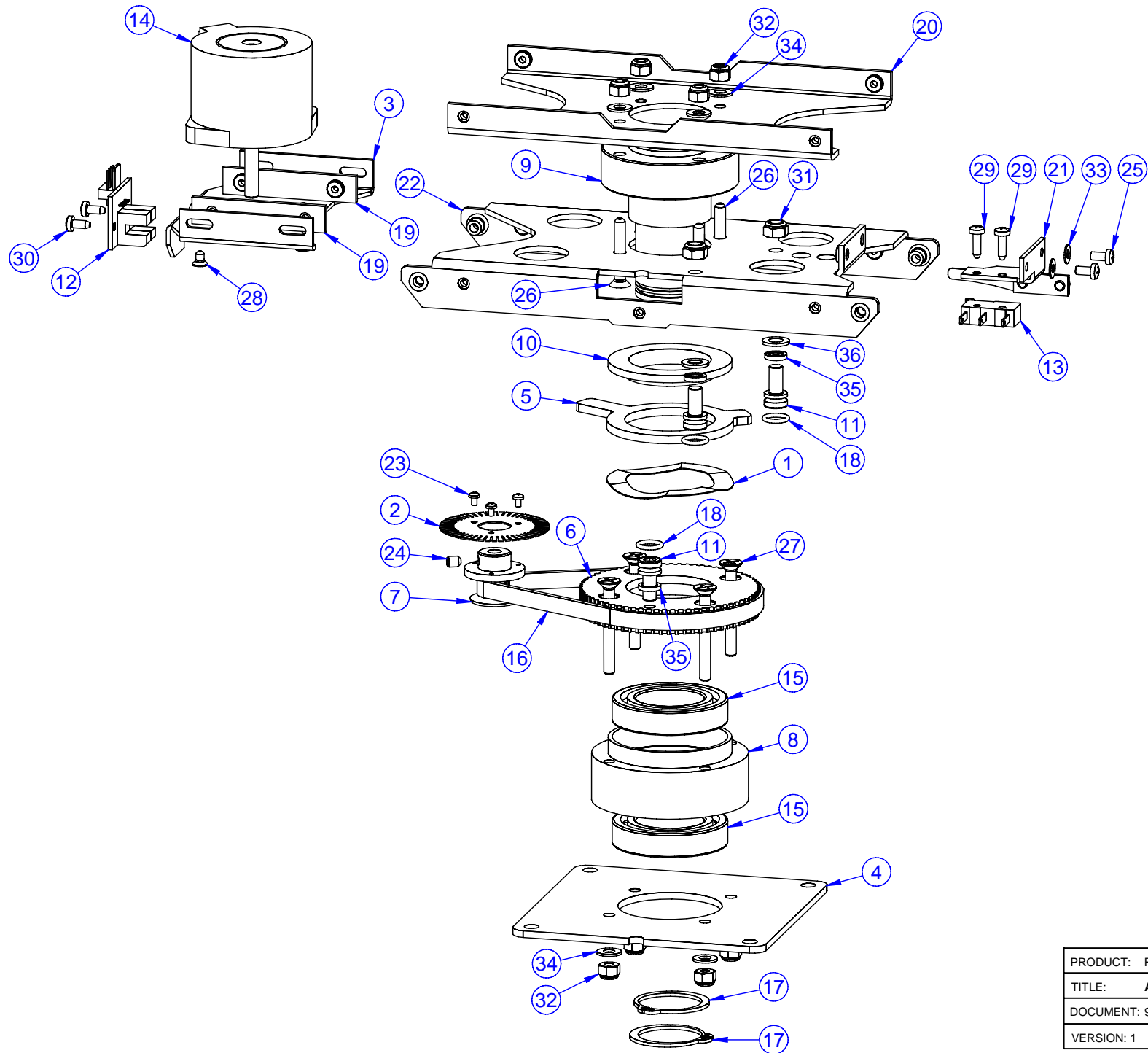
PRODUCT: Robin 600 LEDWash		
TITLE: Rear module of head		
DOCUMENT: 99013070		
VERSION: 1	DATE: 25.05.2011	SHEET: 05 OF 10



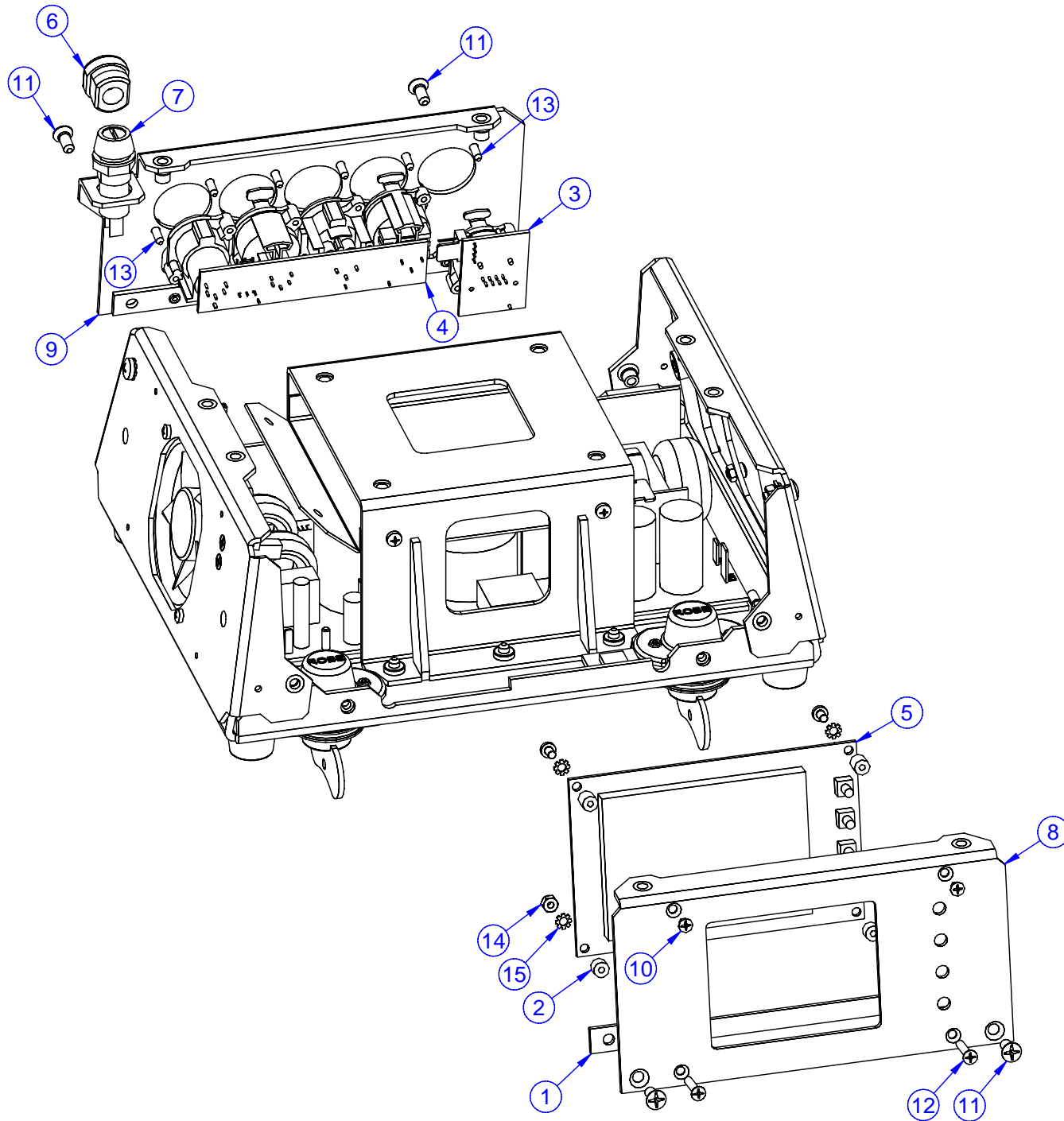
PRODUCT: Robin 600 LEDWash		
TITLE: Arm of head		
DOCUMENT: 99013066		
VERSION: 1	DATE: 25.05.2011	SHEET: 06 OF 10



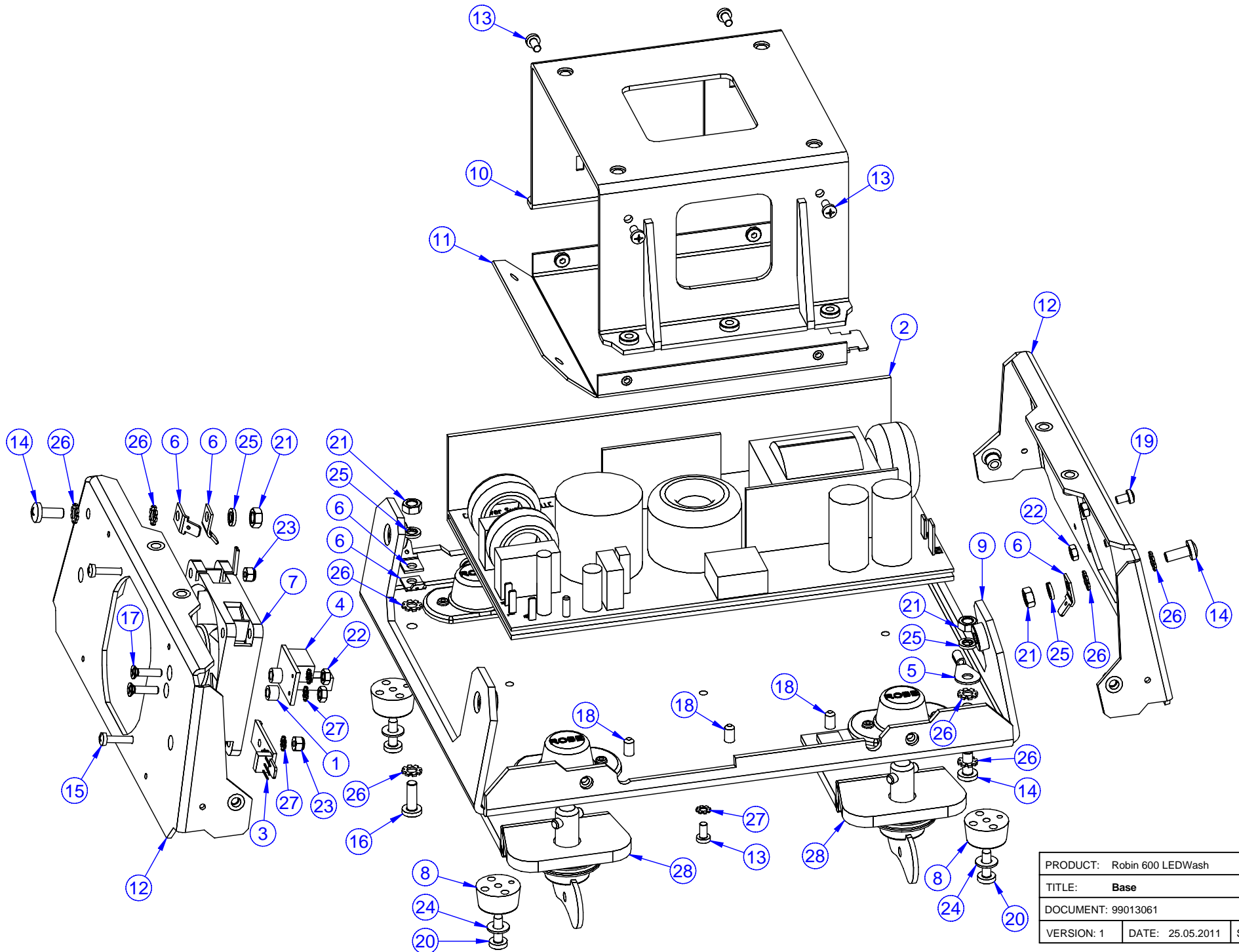
PRODUCT: Robin 600 LEDWash		
TITLE: Arm of axe "Y"		
DOCUMENT: 99013066		
VERSION: 1	DATE: 25.05.2011	SHEET: 07 OF 10



PRODUCT: Robin 600 LEDWash		
TITLE: <b>Axe "X"</b>		
DOCUMENT: 99013063		
VERSION: 1	DATE: 07.12.2010	SHEET: 08 OF 10



PRODUCT: Robin 600 LEDWash		
TITLE: Front and rear panel of base		
DOCUMENT: 99013061		
VERSION: 1	DATE: 07.12.2010	SHEET: 09 OF 10



PRODUCT: Robin 600 LEDWash		
TITLE: Base		
DOCUMENT: 99013061		
VERSION: 1	DATE: 25.05.2011	SHEET: 10 OF 10